

# TUSCANY™ WITH BAND

## ALABASTER BOWL FAMILY

Our Banded Tuscan Alabaster Family, features genuine alabaster with smooth brass decorative banding. A soft translucent stone, alabaster has been used since antiquity to create ornaments, sculptures and light fixtures.

**NEW  
CLASSICS™**  
Handmade in USA



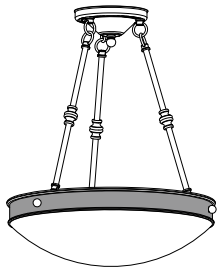
AL-2019-AE

# TUSCANY™ WITH BAND

## ALABASTER BOWL FAMILY

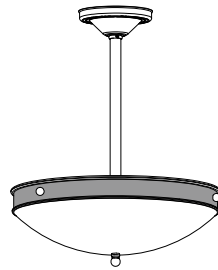
See our new classics [online](#) for more info.

### MOUNTS



Multi-Stem

Chain mount versions also available.



Single-Stem

Cable mount versions also available.



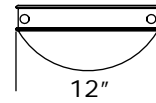
Tuscany with Metal Band/Smooth Balls in Brushed Nickel

**AL-3812-E** 12" w x 5" h x 6" p 1/60 watt

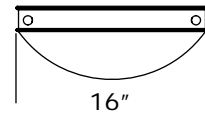
**AL-3816-E** 16" w x 5" h x 8" p 1/60 watt

Matching alabaster sconces also [online](#).

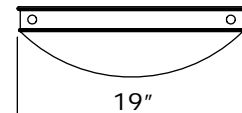
### SIZES



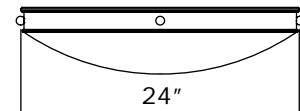
12"



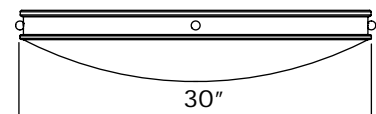
16"



19"



24"



30"

**NEW**  
**CLASSICS™**

Handmade in USA

UL listed. Durable constructed from solid brass and real alabaster stone. Made in USA by Brass Light Gallery.

See our new classics [online](#) for more info.

**BRASS LIGHT GALLERY**  
• MILWAUKEE •

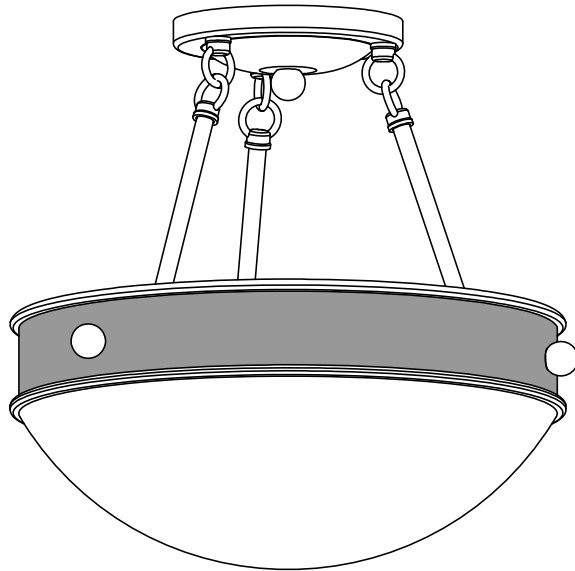
© 2012, Brass Light Gallery®

# TUSCANY™ WITH BAND ALABASTER PENDANT

12" DIAM, MULTI-STEM

brasslightgallery.com 800-243-9595 sales@brasslight.com

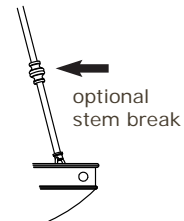
Tuscany with Band v1.2 page 3



**NEW  
CLASSICS™**  
Handmade in USA

## FINISHES

Antique Copper	Distressed Brass
Antique Nickel	Polished Brass
Architectural Bronze	Polished Nickel
Architectural Iron	Satin Ant. Brass
Black	Unlacq. Pol. Brass
Brushed Brass	Verdigris Patina
Brushed Nickel	Vintage Nickel



## AL-2012-AE

Candelabra base screw-in sockets (3) each accept 40 W max incandescent, compact fluorescent, or LED.

GU24 base bi-pin socket available. 277V 4 pin socket alternative, inquire.

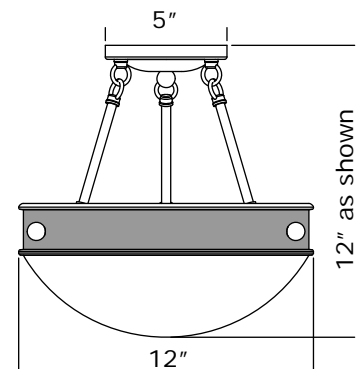
Center mount to junction box.

Specify overall length. Minimum overall length 9".

UL listed dry location.

Durably constructed of solid brass and real alabaster stone.

Made in USA by Brass Light Gallery.

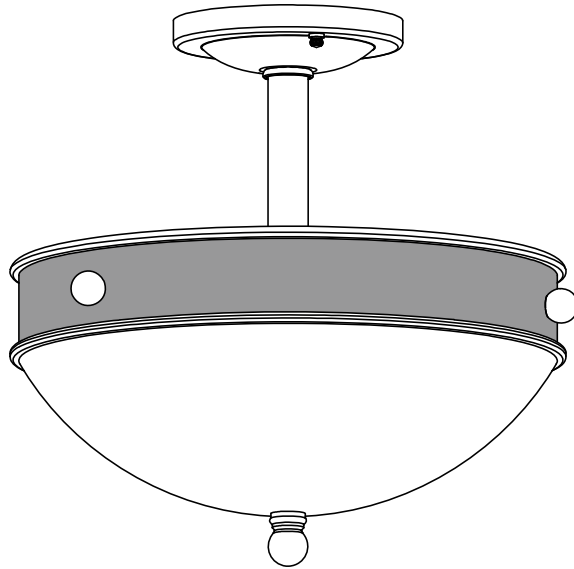


# TUSCANY™ WITH BAND ALABASTER PENDANT

12" DIAM, SINGLE-STEM

brasslightgallery.com 800-243-9595 sales@brasslight.com

Tuscany with Band v1.2 page 4



**NEW  
CLASSICS™**  
Handmade in USA

## FINISHES

Antique Copper	Distressed Brass
Antique Nickel	Polished Brass
Architectural Bronze	Polished Nickel
Architectural Iron	Satin Ant. Brass
Black	Unlacq. Pol. Brass
Brushed Brass	Verdigris Patina
Brushed Nickel	Vintage Nickel

## AL-2012-AG

Candelabra base screw-in sockets (2) each accept 60 W max incandescent, compact fluorescent, or LED.

GU24 base bi-pin socket available. 277V 4 pin socket alternative, inquire.

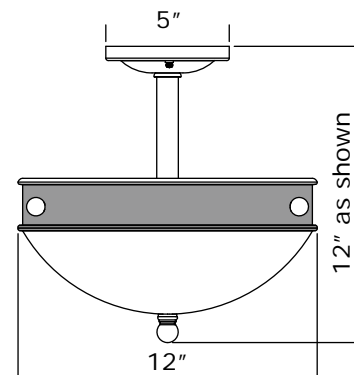
Center mount to junction box.

Specify overall length. Minimum overall length 9".

UL listed dry location.

Durably constructed of solid brass and real alabaster stone.

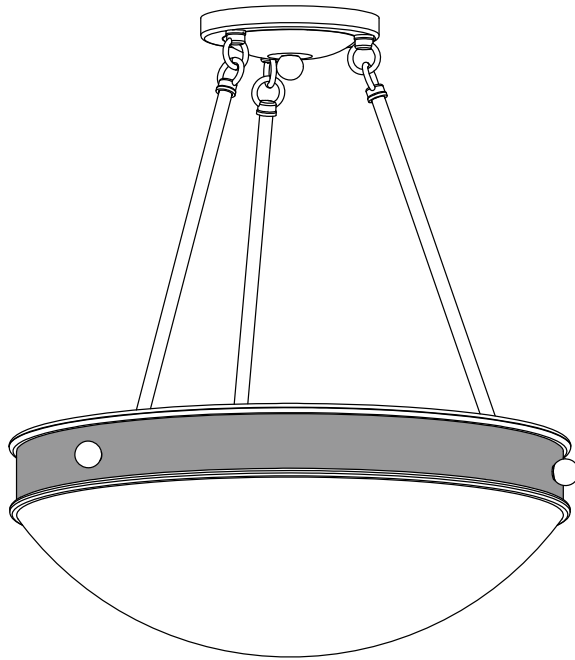
Made in USA by Brass Light Gallery.



# TUSCANY™ WITH BAND ALABASTER PENDANT

16" DIAM, MULTI-STEM

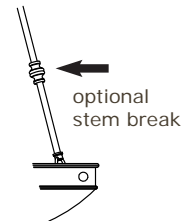
brasslightgallery.com 800-243-9595 sales@brasslight.com



**NEW  
CLASSICS™**  
Handmade in USA

## FINISHES

Antique Copper	Distressed Brass
Antique Nickel	Polished Brass
Architectural Bronze	Polished Nickel
Architectural Iron	Satin Ant. Brass
Black	Unlacq. Pol. Brass
Brushed Brass	Verdigris Patina
Brushed Nickel	Vintage Nickel



## AL-2016-AE

Candelabra base screw-in sockets (3) each accept 60 W max incandescent, compact fluorescent, or LED.

GU24 base bi-pin socket available. 277V 4 pin socket alternative, inquire.

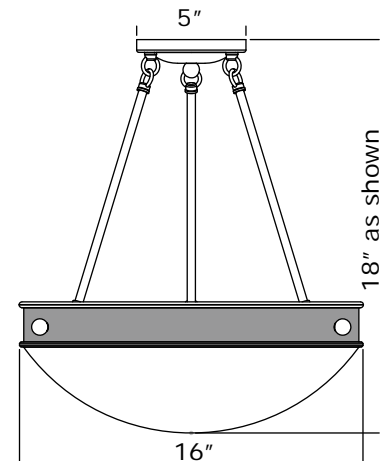
Center mount to junction box.

Specify overall length. Minimum overall length 10".

UL listed dry location.

Durably constructed of solid brass and real alabaster stone.

Made in USA by Brass Light Gallery.



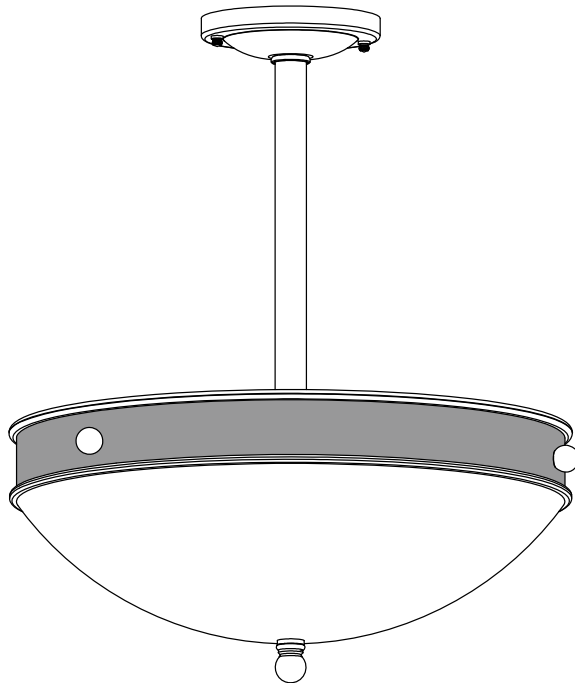
Tuscany with Band v1.2 page 5

# TUSCANY™ WITH BAND ALABASTER PENDANT

16" DIAM, SINGLE-STEM

brasslightgallery.com 800-243-9595 sales@brasslight.com

Tuscany with Band v1.2 page 6



**NEW  
CLASSICS™**  
Handmade in USA

## FINISHES

Antique Copper	Distressed Brass
Antique Nickel	Polished Brass
Architectural Bronze	Polished Nickel
Architectural Iron	Satin Ant. Brass
Black	Unlacq. Pol. Brass
Brushed Brass	Verdigris Patina
Brushed Nickel	Vintage Nickel

## AL-2016-AG

Medium base screw-in sockets (2) each accept 75 W max incandescent, compact fluorescent, or LED.

GU24 base bi-pin socket available. 277V 4 pin socket alternative, inquire.

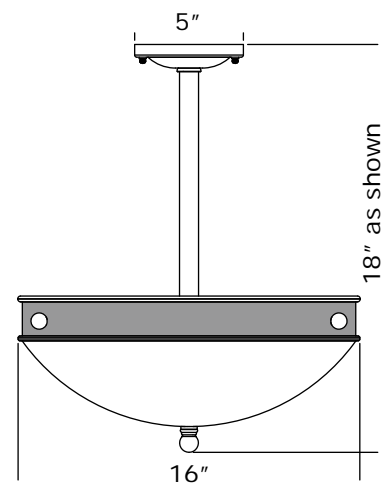
Center mount to junction box.

Specify overall length. Minimum overall length 10".

UL listed dry location.

Durably constructed of solid brass and real alabaster stone.

Made in USA by Brass Light Gallery.

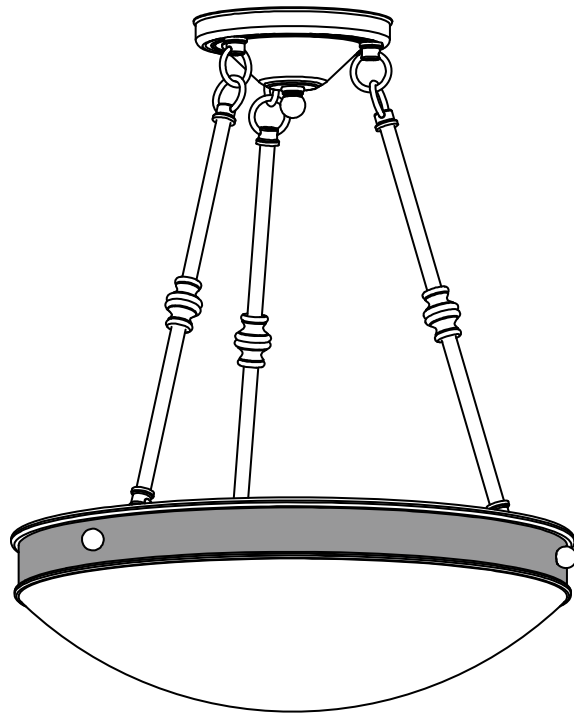


# TUSCANY™ WITH BAND ALABASTER PENDANT

19" DIAM, MULTI-STEM

brasslightgallery.com 800-243-9595 sales@brasslight.com

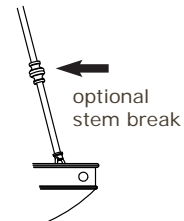
Tuscany with Band v1.2 page 7



**NEW  
CLASSICS™**  
Handmade in USA

## FINISHES

Antique Copper	Distressed Brass
Antique Nickel	Polished Brass
Architectural Bronze	Polished Nickel
Architectural Iron	Satin Ant. Brass
Black	Unlacq. Pol. Brass
Brushed Brass	Verdigris Patina
Brushed Nickel	Vintage Nickel



## AL-2019-AE

Medium base screw-in sockets (3) each accept 75 W max incandescent, compact fluorescent, or LED.

GU24 base bi-pin socket available. 277V 4 pin socket alternative, inquire.

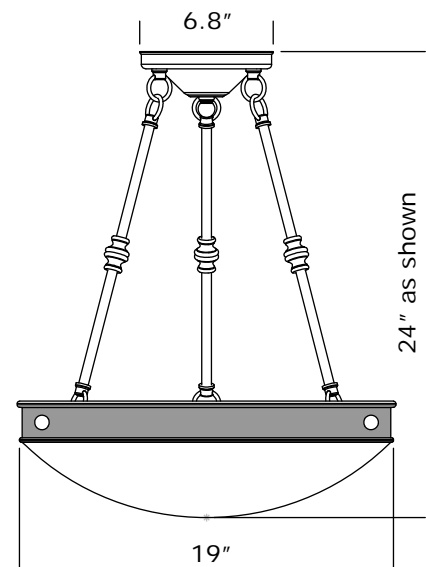
Center mount to junction box.

Specify overall length. Minimum overall length 12".

UL listed dry location.

Durably constructed of solid brass and real alabaster stone.

Made in USA by Brass Light Gallery.



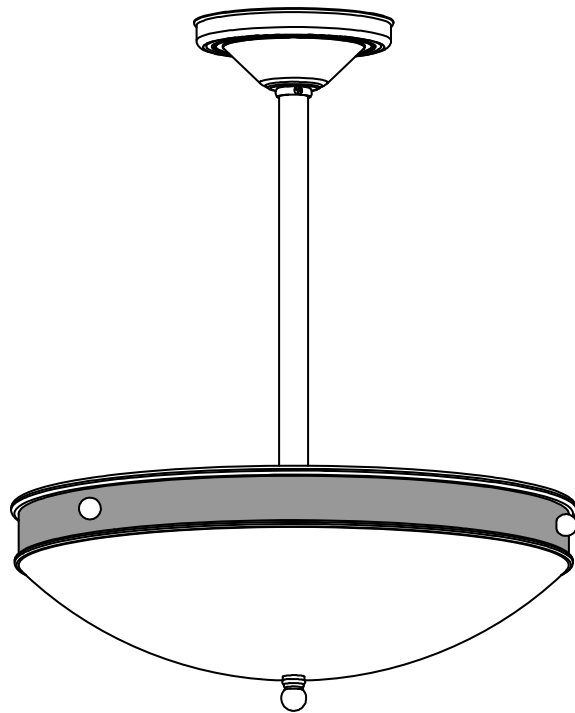
**BRASS LIGHT GALLERY**  
• MILWAUKEE •

© 2012, Brass Light Gallery®

# TUSCANY™ WITH BAND ALABASTER PENDANT

19" DIAM, SINGLE-STEM

brasslightgallery.com 800-243-9595 sales@brasslight.com



**NEW  
CLASSICS™**  
Handmade in USA

## FINISHES

Antique Copper	Distressed Brass
Antique Nickel	Polished Brass
Architectural Bronze	Polished Nickel
Architectural Iron	Satin Ant. Brass
Black	Unlacq. Pol. Brass
Brushed Brass	Verdigris Patina
Brushed Nickel	Vintage Nickel

## AL-2019-AG

Medium base screw-in sockets (2) each accept 75 W max incandescent, compact fluorescent, or LED.

GU24 base bi-pin socket available. 277V 4 pin socket alternative, inquire.

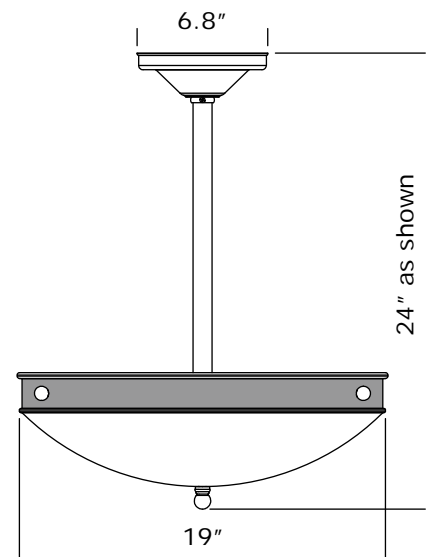
Center mount to junction box.

Specify overall length. Minimum overall length 12".

UL listed dry location.

Durably constructed of solid brass and real alabaster stone.

Made in USA by Brass Light Gallery.



Tuscany with Band v1.2 page 8

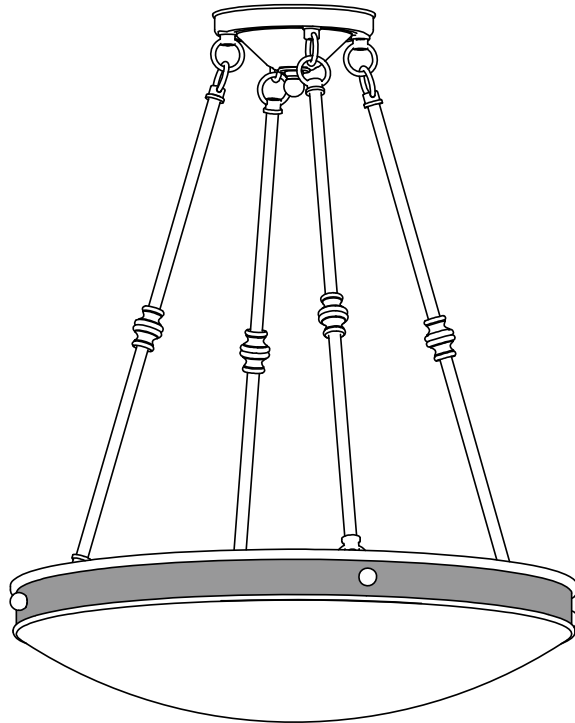


# TUSCANY™ WITH BAND ALABASTER PENDANT

24" DIAM, MULTI-STEM

brasslightgallery.com 800-243-9595 sales@brasslight.com

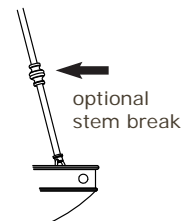
Tuscany with Band v1.2 page 9



**NEW  
CLASSICS™**  
Handmade in USA

## FINISHES

Antique Copper	Distressed Brass
Antique Nickel	Polished Brass
Architectural Bronze	Polished Nickel
Architectural Iron	Satin Ant. Brass
Black	Unlacq. Pol. Brass
Brushed Brass	Verdigris Patina
Brushed Nickel	Vintage Nickel



## AL-2024-AE

Medium base screw-in sockets (4) each accept 100 W max incandescent, compact fluorescent, or LED.

GU24 base bi-pin socket available. 277V 4 pin socket alternative, inquire.

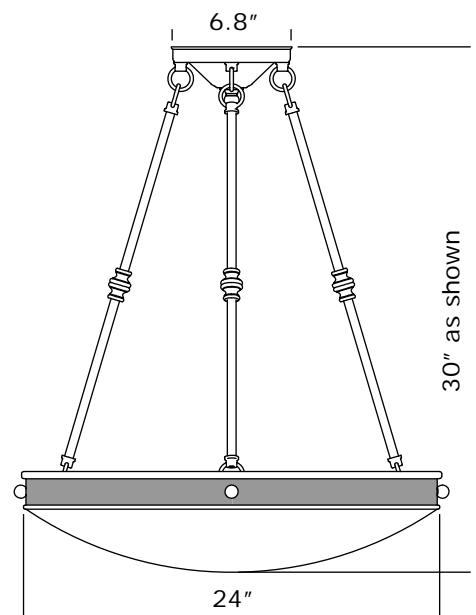
Center mount to junction box.

Specify overall length. Minimum overall length 12".

UL listed dry location.

Durably constructed of solid brass and real alabaster stone.

Made in USA by Brass Light Gallery.



**BRASS LIGHT GALLERY**  
• MILWAUKEE •

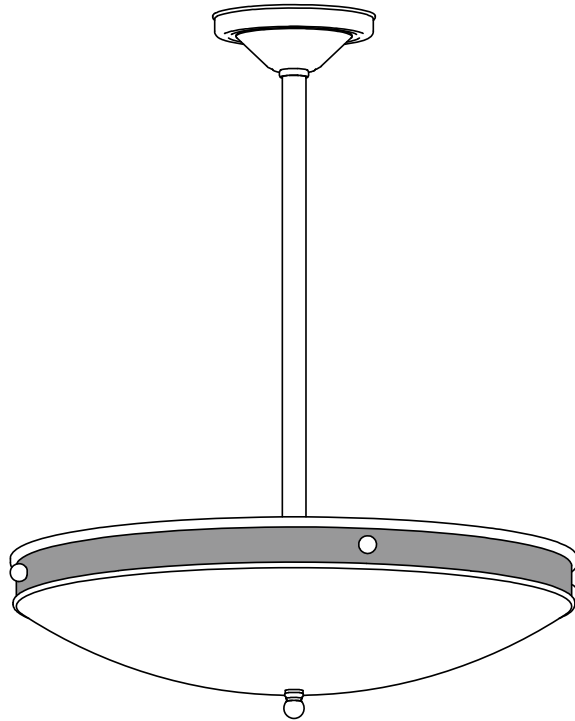
© 2012, Brass Light Gallery®

# TUSCANY™ WITH BAND ALABASTER PENDANT

24" DIAM, SINGLE-STEM

brasslightgallery.com 800-243-9595 sales@brasslight.com

Tuscany with Band v1.2 page 10



**NEW  
CLASSICS™**  
Handmade in USA

## FINISHES

Antique Copper	Distressed Brass
Antique Nickel	Polished Brass
Architectural Bronze	Polished Nickel
Architectural Iron	Satin Ant. Brass
Black	Unlacq. Pol. Brass
Brushed Brass	Verdigris Patina
Brushed Nickel	Vintage Nickel

## AL-2024-AG

Medium base screw-in sockets (4) each accept 75 W max incandescent, compact fluorescent, or LED.

GU24 base bi-pin socket available. 277V 4 pin socket alternative, inquire.

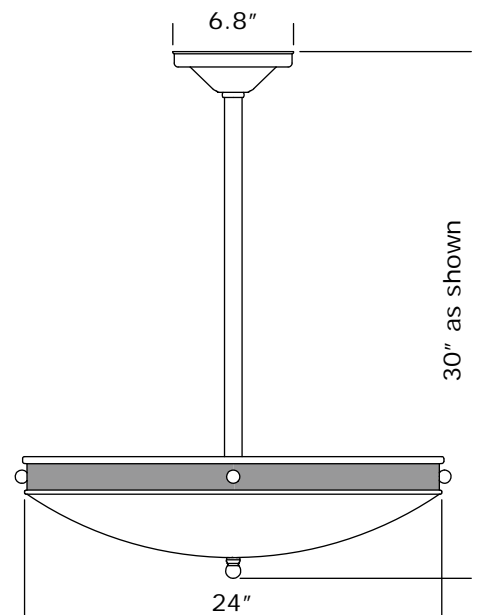
Center mount to junction box.

Specify overall length. Minimum overall length 12".

UL listed dry location.

Durably constructed of solid brass and real alabaster stone.

Made in USA by Brass Light Gallery.



**BRASS LIGHT GALLERY**  
• MILWAUKEE •

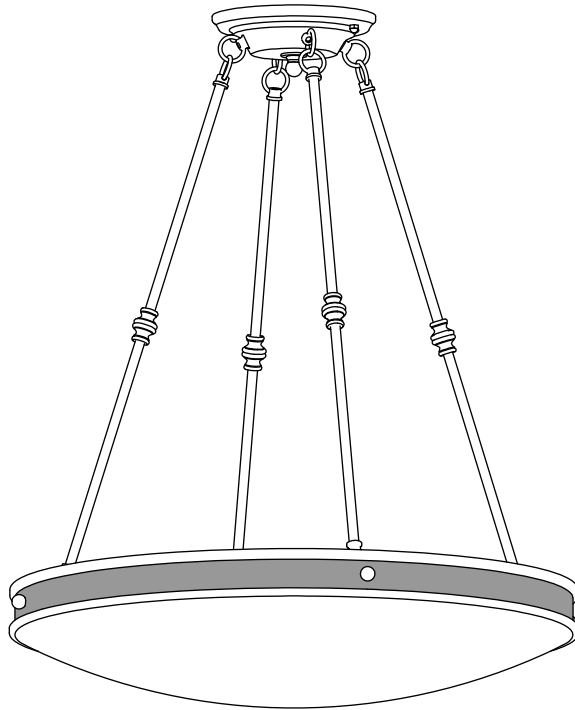
© 2012, Brass Light Gallery®

# TUSCANY™ WITH BAND ALABASTER PENDANT

30" DIAM, MULTI-STEM

brasslightgallery.com 800-243-9595 sales@brasslight.com

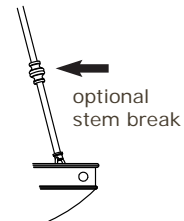
Tuscany with Band v1.2 page 11



**NEW  
CLASSICS™**  
Handmade in USA

## FINISHES

Antique Copper	Distressed Brass
Antique Nickel	Polished Brass
Architectural Bronze	Polished Nickel
Architectural Iron	Satin Ant. Brass
Black	Unlacq. Pol. Brass
Brushed Brass	Verdigris Patina
Brushed Nickel	Vintage Nickel



## AL-2030-AE

Medium base screw-in sockets (4) each accept 100 W max incandescent, compact fluorescent, or LED.

GU24 base bi-pin socket available. 277V 4 pin socket alternative, inquire.

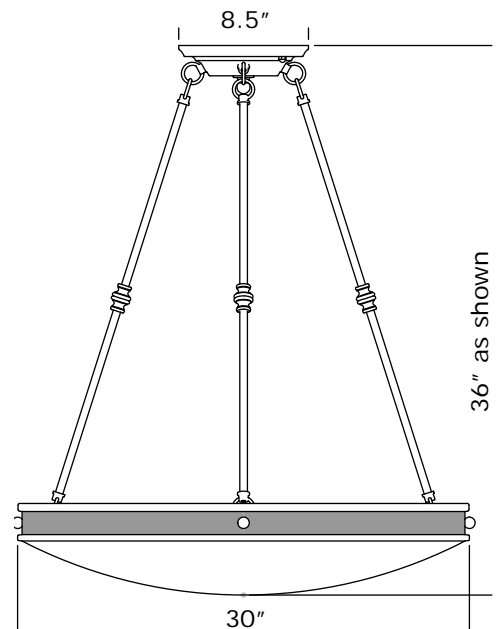
Center mount to junction box.

Specify overall length. Minimum overall length 12".

UL listed dry location.

Durably constructed of solid brass and real alabaster stone.

Made in USA by Brass Light Gallery.



**BRASS LIGHT GALLERY**  
• MILWAUKEE •

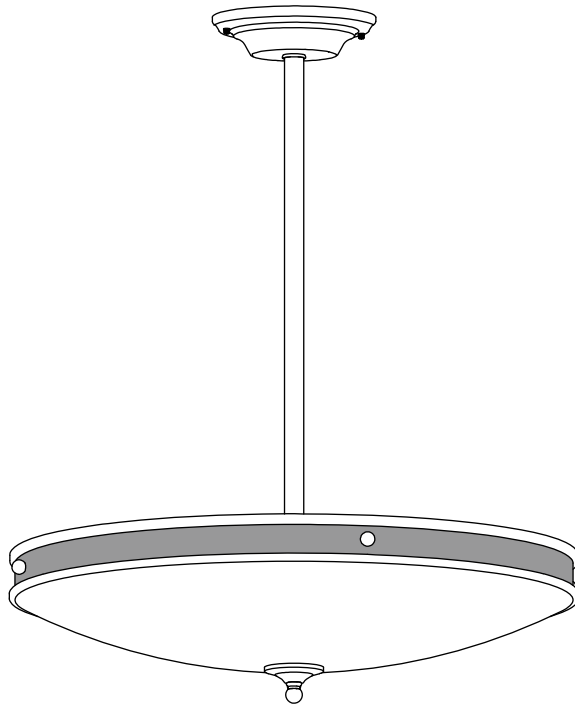
© 2012, Brass Light Gallery®

# TUSCANY™ WITH BAND ALABASTER PENDANT

30" DIAM, SINGLE-STEM

brasslightgallery.com 800-243-9595 sales@brasslight.com

Tuscany with Band v1.2 page 12



**NEW  
CLASSICS™**  
Handmade in USA

## FINISHES

Antique Copper	Distressed Brass
Antique Nickel	Polished Brass
Architectural Bronze	Polished Nickel
Architectural Iron	Satin Ant. Brass
Black	Unlacq. Pol. Brass
Brushed Brass	Verdigris Patina
Brushed Nickel	Vintage Nickel

## AL-2030-AG

Medium base screw-in sockets (4) each accept 100 W max incandescent, compact fluorescent, or LED.

GU24 base bi-pin socket available. 277V 4 pin socket alternative, inquire.

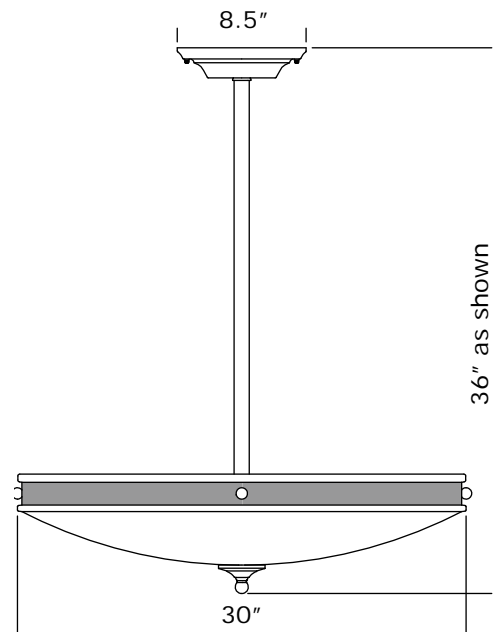
Center mount to junction box.

Specify overall length. Minimum overall length 12".

UL listed dry location.

Durably constructed of solid brass and real alabaster stone.

Made in USA by Brass Light Gallery.



**BRASS LIGHT GALLERY**  
• MILWAUKEE •

© 2012, Brass Light Gallery®

# TUSCANY™ WITH BAND

## ALABASTER BOWL FAMILY

### Version History

- |      |            |   |
|------|------------|---|
| v1.1 | Dec-2011   | First published as a summary only - named 'Banded Tuscany'. 2 pages.  |
| v1.2 | 02-07-2012 | Added this v history. Changed to 'Tuscany with Band'. Revise pg 2 with bowl profiles, etc and removed old cut of print catalog. Added ind products. 13 pgs. |