

SUMMIT™ FAMILY

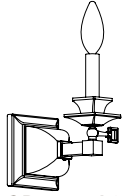
Reproduced from American Gas/Electric lighting, circa 1890-1910, the Summit™ Interior Lighting Family includes coordinating wall sconces, pendants, and chandeliers. All fixtures feature a decorative gas key, replicating the valve originally used to regulate the gas flame.



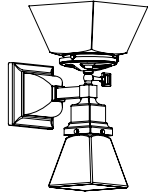
NEW
CLASSICS™
Handmade in USA

SUMMIT™ FAMILY

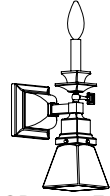
INTERIOR LIGHTING FIXTURES



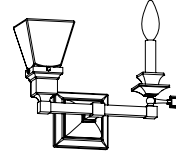
GR-100-A3



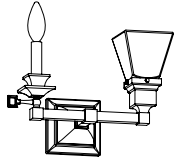
GR-111-B4



GR-111-E8



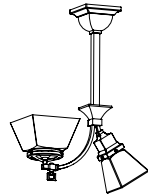
GR-112-E8



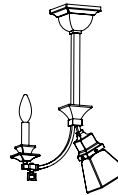
GR-113-E8



GR-432-E8-03M



GR-433-F1-03M



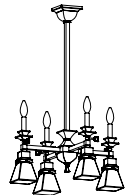
GR-433-F2-03M



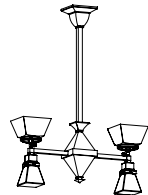
GR-434-E9-03M



GR-452-B4-03M



GR-453-E8-03M



GR-454-B4-03M

brasslightgallery.com 800-243-9595 sales@brasslight.com

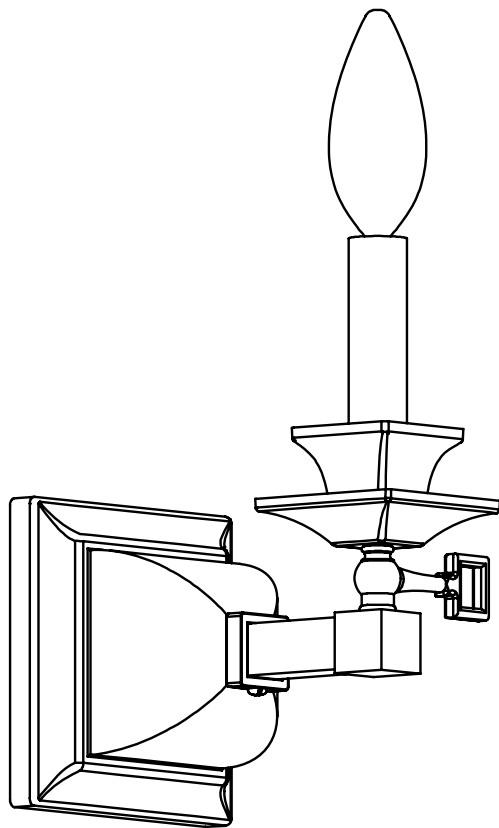
Summit Family v1.1 page 2

SUMMIT™ ONE LIGHT GAS KEY SCONCE

WITH ELECTRIC CANDLE

brasslightgallery.com 800-243-9595 sales@brasslight.com

Summit Family v1.1 page 3



**NEW
CLASSICS™**
Handmade in USA

FINISHES - applied by hand.

Polished Nickel	Architectural Bronze
Brushed Nickel	Verdigris Patina
Black	Distressed Brass
Brushed Brass	Antique Copper
Polished Brass	Satin Antique Brass
Antique Nickel	Unlacquered Pol. Brass

Other finishes available for additional charge, inquire.

GR-100-A3 Shown without shade(s)

Candelabra base screw-in socket (1) accepts 60 W max incandescent, compact fluorescent, or LED.

GU24 base bi-pin socket available. 277V 4 pin socket alternative, inquire.

Check our website for alternative shades.

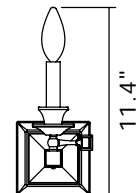
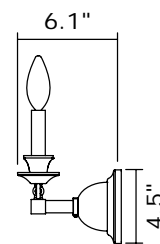
Mounting plate center mounts to junction box.

UL listed dry location.

Durably constructed of solid brass.

Made in USA by Brass Light Gallery.

Summit

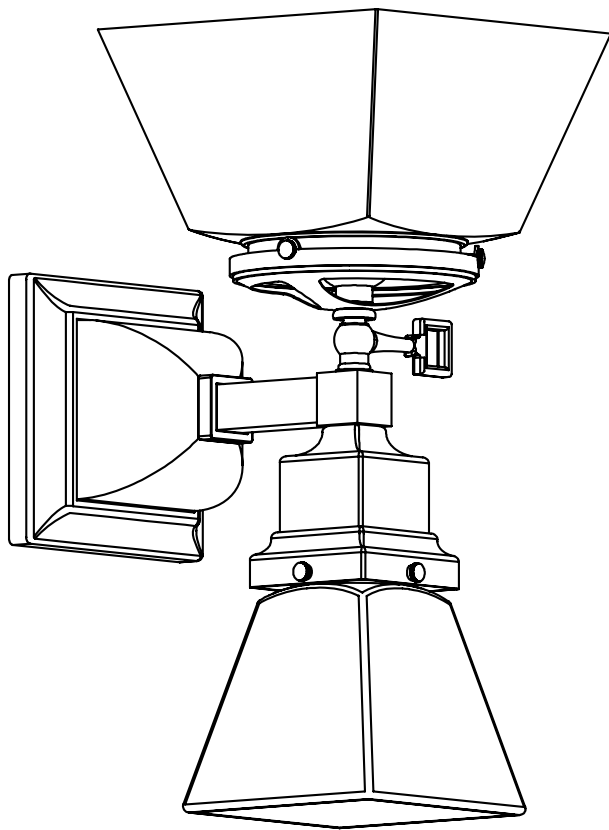


BRASS LIGHT GALLERY
• MILWAUKEE •

© 2013, Brass Light Gallery®

SUMMIT™ TWO LIGHT GAS-ELECTRIC SCONCE

WITH 2-1/4" & 4-1/4" SHADE HOLDERS



**NEW
CLASSICS™**
Handmade in USA

FINISHES - applied by hand.

Polished Nickel	Architectural Bronze
Brushed Nickel	Verdigris Patina
Black	Distressed Brass
Brushed Brass	Antique Copper
Polished Brass	Satin Antique Brass
Antique Nickel	Unlacquered Pol. Brass

Other finishes available for additional charge, inquire.

GR-111-B4 Shown with A101 & C102 shade(s)

Medium base screw-in socket up light (1) accepts 60 W max; medium base screw-in socket down light (1) accepts 150 W max incandescent, CFL, or LED.

GU24 base bi-pin socket available. 277V 4 pin socket alternative, inquire.

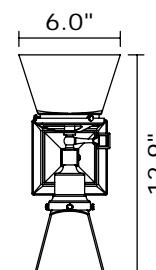
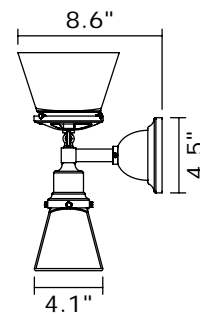
Check our website for alternative shades.

Mounting plate center mounts to junction box.

UL listed dry location.

Durably constructed of solid brass.

Made in USA by Brass Light Gallery.

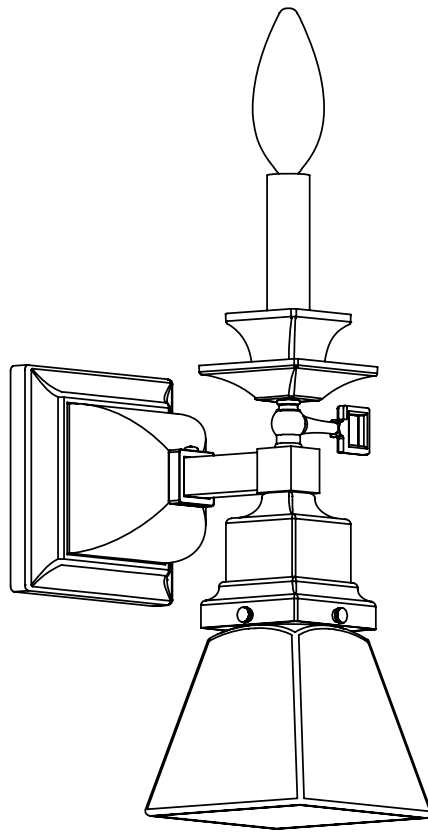


SUMMIT™ TWO LIGHT GAS-ELECTRIC SCONCE

WITH 2-1/4" SHADE HOLDER & CANDLE

brasslightgallery.com 800-243-9595 sales@brasslight.com

Summit Family v1.1 page 5



**NEW
CLASSICS™**
Handmade in USA

FINISHES - applied by hand.

Polished Nickel	Architectural Bronze
Brushed Nickel	Verdigris Patina
Black	Distressed Brass
Brushed Brass	Antique Copper
Polished Brass	Satin Antique Brass
Antique Nickel	Unlacquered Pol. Brass

Other finishes available for additional charge, inquire.

GR-111-E8 Shown with A101 shade(s)

Candelabra base screw-in socket (1) accepts 60 W max; medium base screw-in socket (1) accepts 150 W max incandescent, compact fluorescent, or LED.

GU24 base bi-pin socket available. 277V 4 pin socket alternative, inquire.

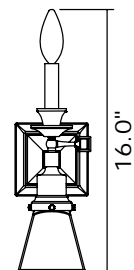
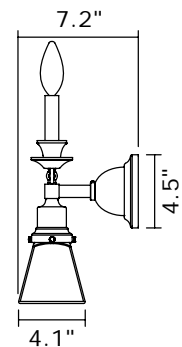
Check our website for alternative shades.

Mounting plate center mounts to junction box.

UL listed dry location.

Durably constructed of solid brass.

Made in USA by Brass Light Gallery.

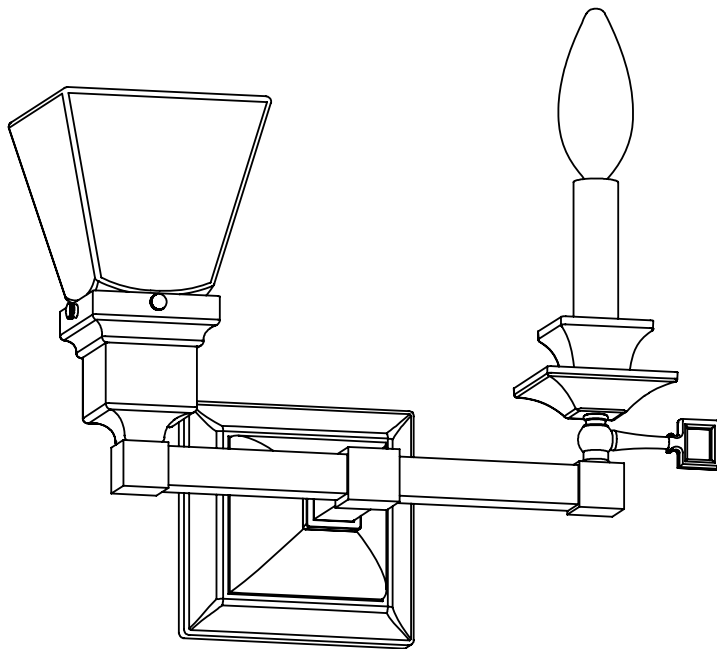


SUMMIT™ TWO LIGHT GAS-ELECTRIC SCONCE

WITH 2-1/4" SHADE HOLDER & CANDLE RIGHT

brasslightgallery.com 800-243-9595 sales@brasslight.com

Summit Family v1.1 page 6



**NEW
CLASSICS™**
Handmade in USA

FINISHES - applied by hand.

Polished Nickel	Architectural Bronze
Brushed Nickel	Verdigris Patina
Black	Distressed Brass
Brushed Brass	Antique Copper
Polished Brass	Satin Antique Brass
Antique Nickel	Unlacquered Pol. Brass

Other finishes available for additional charge, inquire.

GR-112-E8 Shown with A101 shade(s)

Candelabra base screw-in socket (1) accepts 60 W max; medium base screw-in socket (1) accepts 150 W max incandescent, compact fluorescent, or LED.

GU24 base bi-pin socket available. 277V 4 pin socket alternative, inquire.

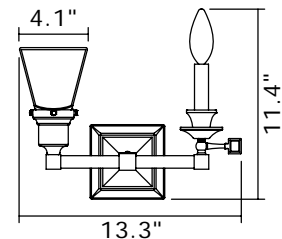
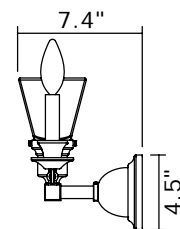
Check our website for alternative shades.

Mounting plate center mounts to junction box.

UL listed dry location.

Durably constructed of solid brass.

Made in USA by Brass Light Gallery.

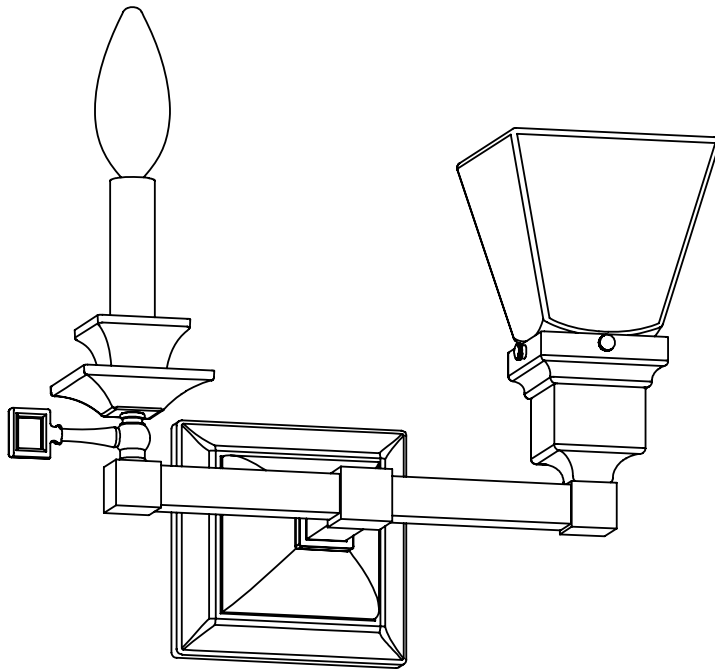


SUMMIT™ TWO LIGHT GAS-ELECTRIC SCONCE

WITH 2-1/4" SHADE HOLDER & CANDLE LEFT

brasslightgallery.com 800-243-9595 sales@brasslight.com

Summit Family v1.1 page 7



**NEW
CLASSICS™**
Handmade in USA

FINISHES - applied by hand.

Polished Nickel	Architectural Bronze
Brushed Nickel	Verdigris Patina
Black	Distressed Brass
Brushed Brass	Antique Copper
Polished Brass	Satin Antique Brass
Antique Nickel	Unlacquered Pol. Brass

Other finishes available for additional charge, inquire.

GR-113-E8 Shown with A101 shade(s)

Candelabra base screw-in socket (1) accepts 60 W max; medium base screw-in socket (1) accepts 150 W max incandescent, compact fluorescent, or LED.

GU24 base bi-pin socket available. 277V 4 pin socket alternative, inquire.

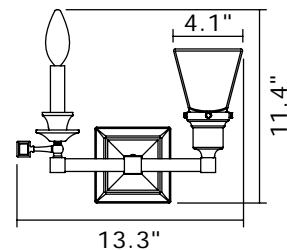
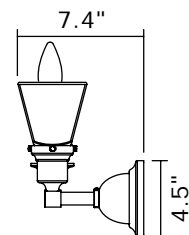
Check our website for alternative shades.

Mounting plate center mounts to junction box.

UL listed dry location.

Durably constructed of solid brass.

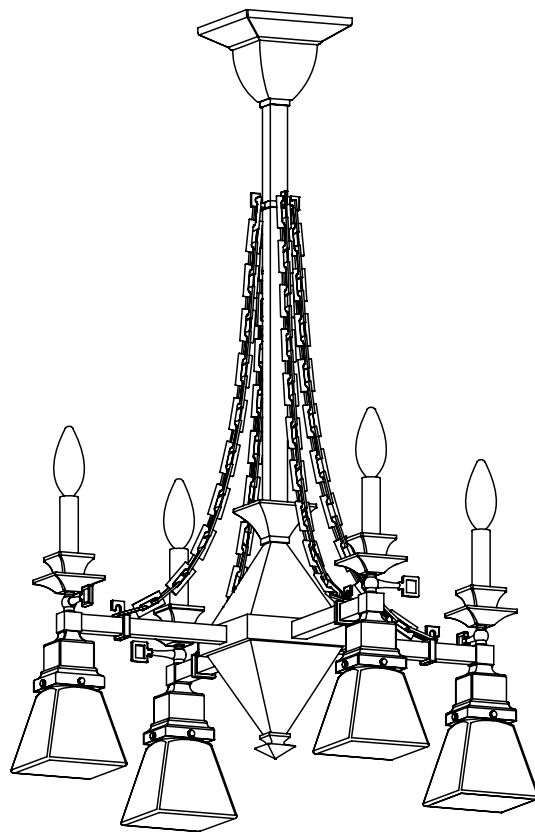
Made in USA by Brass Light Gallery.



SUMMIT™ EIGHT LIGHT CHAIN LINK CHANDELIER

WITH 2-1/4" SHADE HOLDERS & CANDLES

brasslightgallery.com 800-243-9595 sales@brasslight.com



NEW
CLASSICS™
Handmade in USA

FINISHES - applied by hand.

Polished Nickel	Architectural Bronze
Brushed Nickel	Verdigris Patina
Black	Distressed Brass
Brushed Brass	Antique Copper
Polished Brass	Satin Antique Brass
Antique Nickel	Unlacquered Pol. Brass

Other finishes available for additional charge, inquire.

GR-432-E8-03M Shown with A101 shade(s)

Candelabra base screw-in sockets (4) accept 60 W max; medium base screw-in sockets (4) accept 150 W max incandescent, compact fluorescent, or LED.

GU24 base bi-pin socket available. 277V 4 pin socket alternative, inquire.

Check our website for alternative shades.

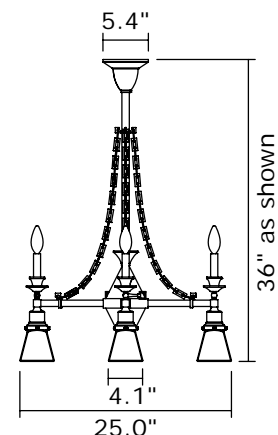
Mounting plate center mounts to junction box.

Specify overall length. Minimum overall length 19".

UL listed dry location.

Durably constructed of solid brass.

Made in USA by Brass Light Gallery.



Summit Family v1.1 page 8

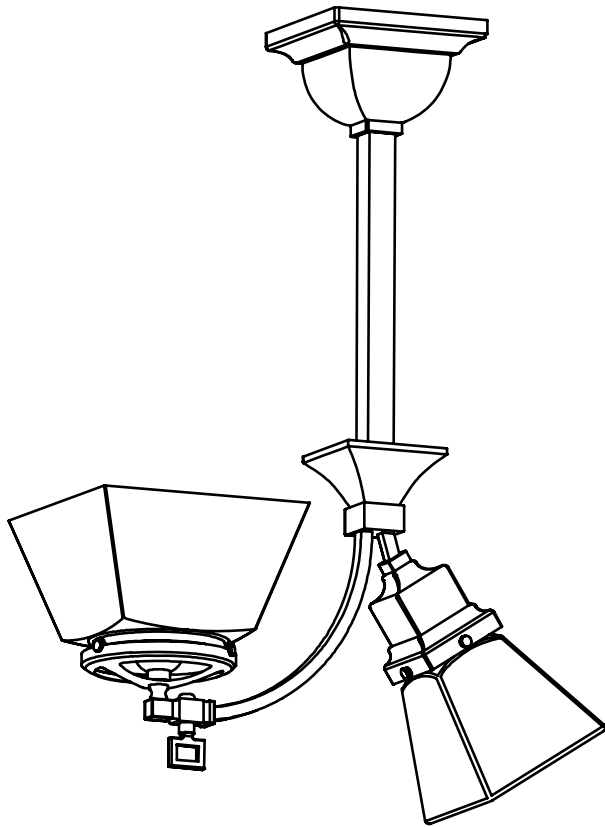
BRASS LIGHT GALLERY
• MILWAUKEE •

© 2013, Brass Light Gallery®

TWO LIGHT CURVED ARM PENDANT

WITH 2-1/4" & 4-1/4" SHADE HOLDERS

brasslightgallery.com 800-243-9595 sales@brasslight.com



NEW CLASSICS™
Handmade in USA

FINISHES - applied by hand.

Polished Nickel	Architectural Bronze
Brushed Nickel	Verdigris Patina
Black	Distressed Brass
Brushed Brass	Antique Copper
Polished Brass	Satin Antique Brass
Antique Nickel	Unlacquered Pol. Brass

Other finishes available for additional charge, inquire.

GR-433-F1-03M Shown with A101 & C102 shade(s)

Medium base screw-in socket up light (1) accepts 60 W max; medium base screw-in socket down light (1) accepts 150 W max incandescent, CFL, or LED.

GU24 base bi-pin socket available. 277V 4 pin socket alternative, inquire.

Check our website for alternative shades.

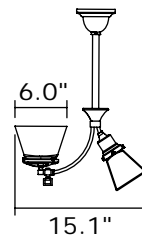
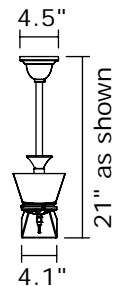
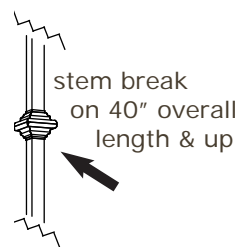
Mounting plate center mounts to junction box.

Specify overall length. Minimum overall length 14".

UL listed dry location.

Durably constructed of solid brass.

Made in USA by Brass Light Gallery.



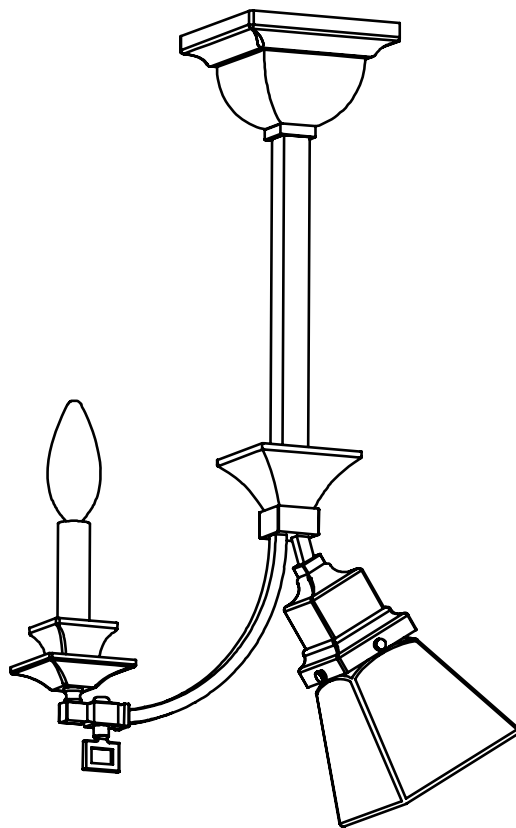
Summit Family v1.1 page 9

SUMMIT™ TWO LIGHT CURVED ARM PENDANT

WITH 2-1/4" SHADE HOLDER & CANDLE

brasslightgallery.com 800-243-9595 sales@brasslight.com

Summit Family v1.1 page 10



**NEW
CLASSICS™**
Handmade in USA

FINISHES - applied by hand.

Polished Nickel	Architectural Bronze
Brushed Nickel	Verdigris Patina
Black	Distressed Brass
Brushed Brass	Antique Copper
Polished Brass	Satin Antique Brass
Antique Nickel	Unlacquered Pol. Brass

Other finishes available for additional charge, inquire.

GR-433-F2-03M Shown with A101 shade(s)

Candelabra base screw-in socket (1) accepts 60 W max; medium base screw-in socket (1) accepts 150 W max incandescent, compact fluorescent, or LED.

GU24 base bi-pin socket available. 277V 4 pin socket alternative, inquire.

Check our website for alternative shades.

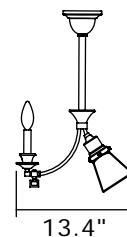
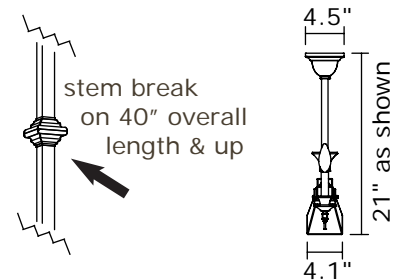
Mounting plate center mounts to junction box.

Specify overall length. Minimum overall length 15".

UL listed dry location.

Durably constructed of solid brass.

Made in USA by Brass Light Gallery.



BRASS LIGHT GALLERY
• MILWAUKEE •

© 2013, Brass Light Gallery®

SUMMIT™ FOUR LIGHT CHAIN LINK PENDANT

WITH 2-1/4" SHADE HOLDERS & CANDLES



**NEW
CLASSICS™**
Handmade in USA

FINISHES - applied by hand.

Polished Nickel	Architectural Bronze
Brushed Nickel	Verdigris Patina
Black	Distressed Brass
Brushed Brass	Antique Copper
Polished Brass	Satin Antique Brass
Antique Nickel	Unlacquered Pol. Brass

Other finishes available for additional charge, inquire.

GR-434-E9-03M Shown with A103 shade(s)

Candelabra base screw-in sockets (2) accept 60 W max; medium base screw-in sockets (2) accept 150 W max incandescent, compact fluorescent, or LED.

GU24 base bi-pin socket available. 277V 4 pin socket alternative, inquire.

Check our website for alternative shades.

Mounting plate center mounts to junction box.

Specify overall length. Minimum overall length 20".

UL listed dry location.

Durably constructed of solid brass.

Made in USA by Brass Light Gallery.

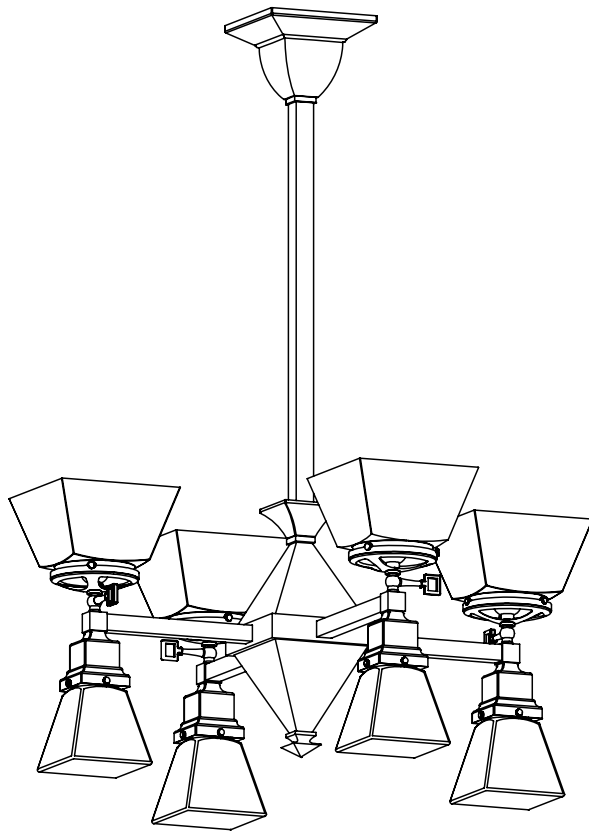
Dimensions
Coming
Soon!

SUMMIT™ EIGHT LIGHT GAS-ELECTRIC CHANDELIER

WITH 2-1/4" & 4-1/4" SHADE HOLDERS

brasslightgallery.com 800-243-9595 sales@brasslight.com

Summit Family v1.1 page 12

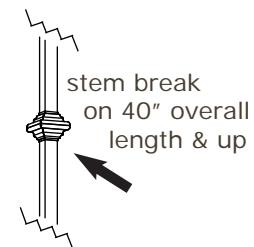


**NEW
CLASSICS™**
Handmade in USA

FINISHES - applied by hand.

Polished Nickel	Architectural Bronze
Brushed Nickel	Verdigris Patina
Black	Distressed Brass
Brushed Brass	Antique Copper
Polished Brass	Satin Antique Brass
Antique Nickel	Unlacquered Pol. Brass

Other finishes available for additional charge, inquire.



GR-452-B4-03M Shown with A101 & C102 shade(s)

Medium base screw-in socket up lights (4) accept 60 W max; medium base screw-in socket down lights (4) accept 150 W max incandescent, CFL, or LED.

GU24 base bi-pin socket available. 277V 4 pin socket alternative, inquire.

Check our website for alternative shades.

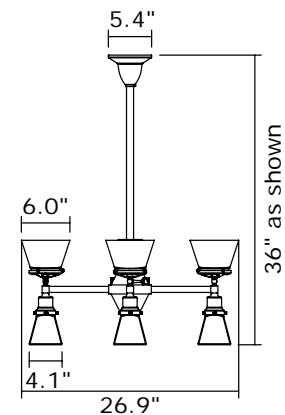
Mounting plate center mounts to junction box.

Specify overall length. Minimum overall length 19".

UL listed dry location.

Durably constructed of solid brass.

Made in USA by Brass Light Gallery.



BRASS LIGHT GALLERY
• MILWAUKEE •

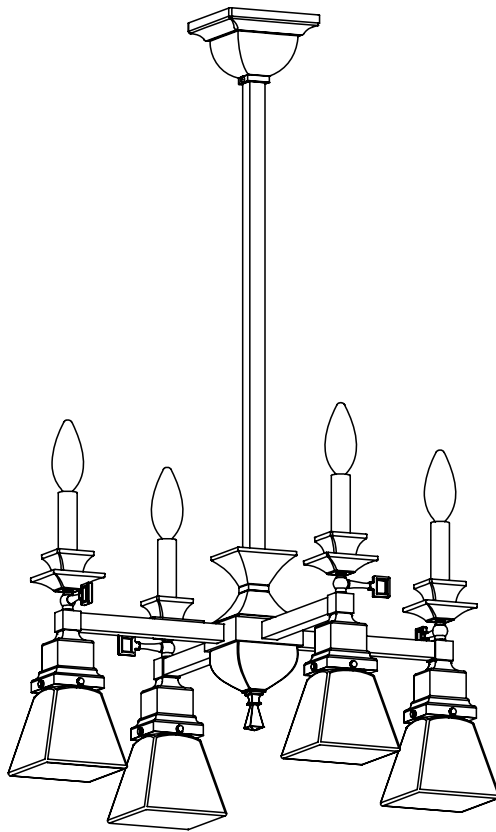
© 2013, Brass Light Gallery®

SUMMIT™ EIGHT LIGHT GAS-ELECTRIC CHANDELIER

WITH 2-1/4" SHADE HOLDERS & CANDLES

brasslightgallery.com 800-243-9595 sales@brasslight.com

Summit Family v1.1 page 13

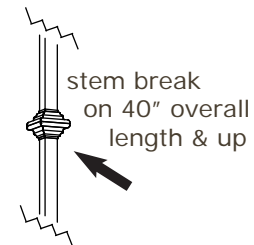


NEW
CLASSICS™
Handmade in USA

FINISHES - applied by hand.

Polished Nickel	Architectural Bronze
Brushed Nickel	Verdigris Patina
Black	Distressed Brass
Brushed Brass	Antique Copper
Polished Brass	Satin Antique Brass
Antique Nickel	Unlacquered Pol. Brass

Other finishes available for additional charge, inquire.



GR-453-E8-03M Shown with A101 shade(s)

Candelabra base screw-in sockets (4) accept 60 W max; medium base screw-in sockets (4) accept 150 W max incandescent, compact fluorescent, or LED.

GU24 base bi-pin socket available. 277V 4 pin socket alternative, inquire.

Check our website for alternative shades.

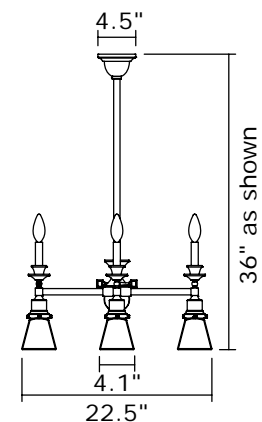
Mounting plate center mounts to junction box.

Specify overall length. Minimum overall length 19".

UL listed dry location.

Durably constructed of solid brass.

Made in USA by Brass Light Gallery.



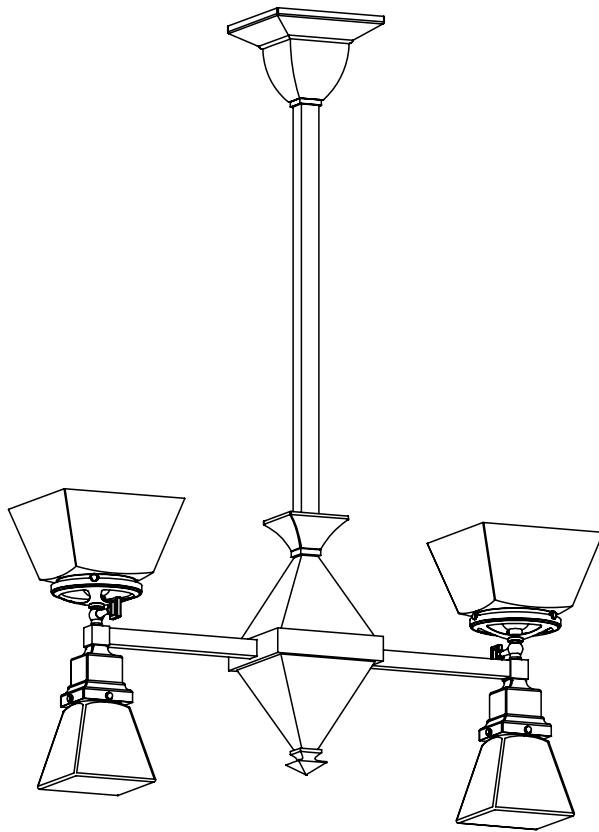
BRASS LIGHT GALLERY
• MILWAUKEE •

© 2013, Brass Light Gallery®

SUMMIT™ FOUR LIGHT GAS-ELECTRIC CHANDELIER

WITH 2-1/4" & 4-1/4" SHADE HOLDERS

brasslightgallery.com 800-243-9595 sales@brasslight.com



NEW CLASSICS™
Handmade in USA

FINISHES - applied by hand.

Polished Nickel	Architectural Bronze
Brushed Nickel	Verdigris Patina
Black	Distressed Brass
Brushed Brass	Antique Copper
Polished Brass	Satin Antique Brass
Antique Nickel	Unlacquered Pol. Brass

Other finishes available for additional charge, inquire.

GR-454-B4-03M Shown with A101 & C102 shade(s)

Medium base screw-in socket up lights (2) accept 60 W max; medium base screw-in socket down lights (2) accept 150 W max incandescent, CFL, or LED.

GU24 base bi-pin socket available. 277V 4 pin socket alternative, inquire.

Check our website for alternative shades.

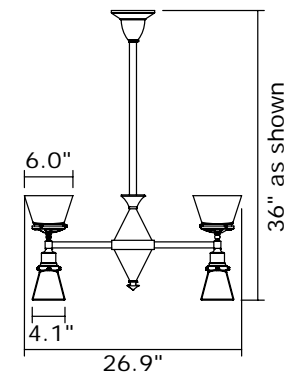
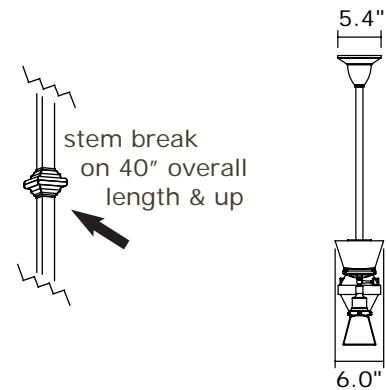
Mounting plate center mounts to junction box.

Specify overall length. Minimum overall length 19".

UL listed dry location.

Durably constructed of solid brass.

Made in USA by Brass Light Gallery.



Summit Family v1.1 page 14