

SPRING GREEN™ FAMILY

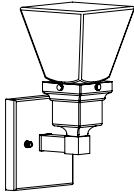
The Spring Green™ Family of interior lights offers clean lines with a predominance of right angles. Suitable for lighting both modern and traditional spaces, especially Prairie or Arts & Crafts Styles, each light fixture can be customized with finish and shade options to complement your interior.



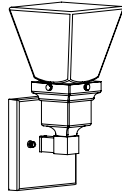
NEW
CLASSICS™
Handmade in USA

SPRING GREEN™ FAMILY

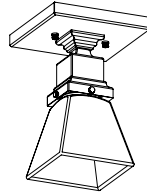
INTERIOR LIGHTING FIXTURES



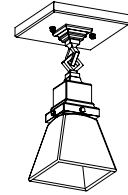
GR-101-B1



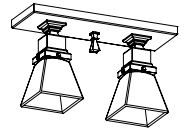
GR-116-B1



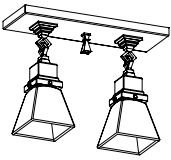
GR-400-B1-01M



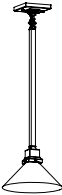
GR-400-B1-02M



GR-403-B1-01M



GR-403-B1-02M



GR-408-B1-04M

brasslightgallery.com 800-243-9595 sales@brasslight.com

Spring Green Family v1.0 page 2

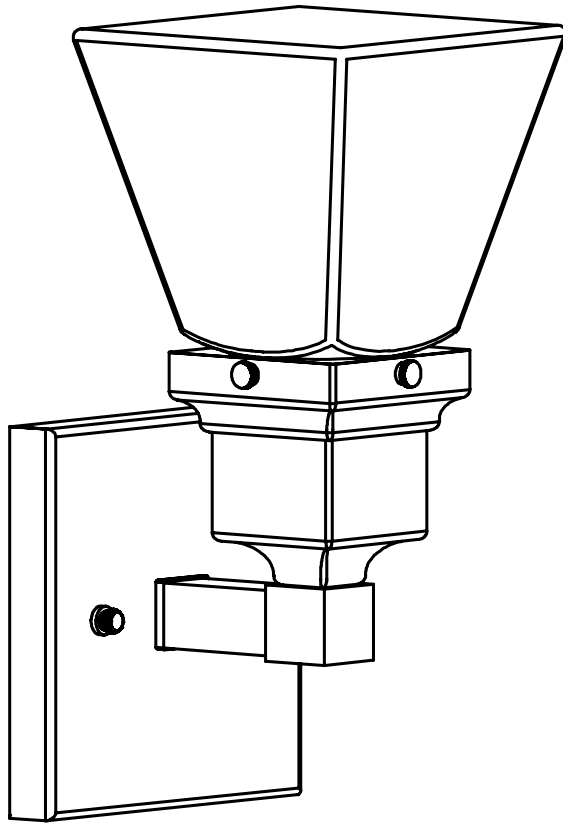
Alternative design versions available, please inquire.

BRASS LIGHT GALLERY
• MILWAUKEE •

© 2013, Brass Light Gallery®

SPRING GREEN™ ONE LIGHT STRAIGHT ARM SCONCE

WITH 2-1/4" SHADE HOLDER



**NEW
CLASSICS™**
Handmade in USA

FINISHES - applied by hand.

Polished Nickel	Architectural Bronze
Brushed Nickel	Verdigris Patina
Black	Distressed Brass
Brushed Brass	Antique Copper
Polished Brass	Satin Antique Brass
Antique Nickel	Unlacquered Pol. Brass

Other finishes available for additional charge, inquire.

GR-101-B1 Shown with A101 shade(s)

Medium base screw-in socket (1) accepts 150 W max incandescent, compact fluorescent, or LED.

GU24 base bi-pin socket available. 277V 4 pin socket alternative, inquire.

Check our website for alternative 2-1/4" shades.

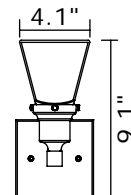
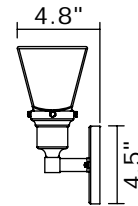
Mounting plate center mounts to junction box.

Mount glass up or glass down.

UL listed dry location. Damp location available, inquire.

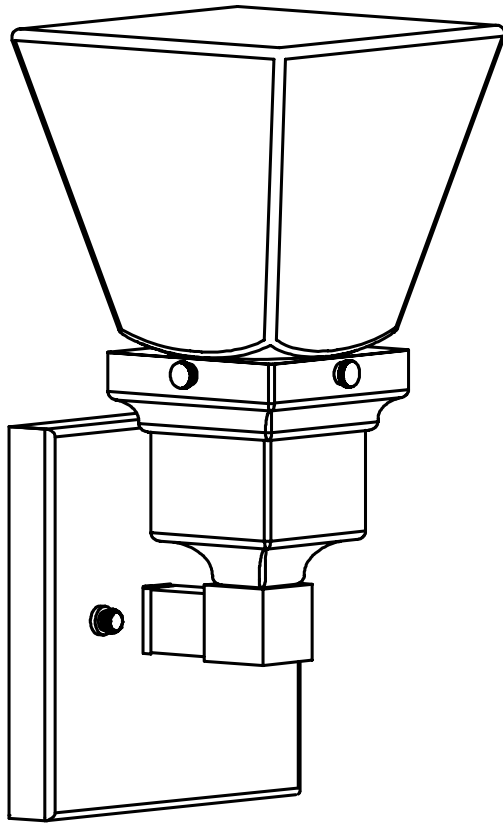
Durably constructed of solid brass.

Made in USA by Brass Light Gallery.



SPRING GREEN™ ONE LIGHT STRAIGHT ARM SCONCE

WITH 2-1/4" SHADE HOLDER ADA



**NEW
CLASSICS™**
Handmade in USA

FINISHES - applied by hand.

Polished Nickel	Architectural Bronze
Brushed Nickel	Verdigris Patina
Black	Distressed Brass
Brushed Brass	Antique Copper
Polished Brass	Satin Antique Brass
Antique Nickel	Unlacquered Pol. Brass

Other finishes available for additional charge, inquire.

GR-116-B1 Shown with A101 shade(s)

Medium base screw-in socket (1) accepts 150 W max incandescent, compact fluorescent, or LED.

GU24 base bi-pin socket available. 277V 4 pin socket alternative, inquire.

Check our website for alternative 2-1/4" shades.

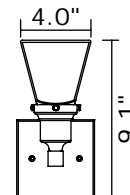
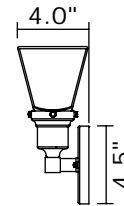
Mounting plate center mounts to junction box.

ADA compliant projection. Mount glass up or glass down.

UL listed dry location. Damp location available, inquire.

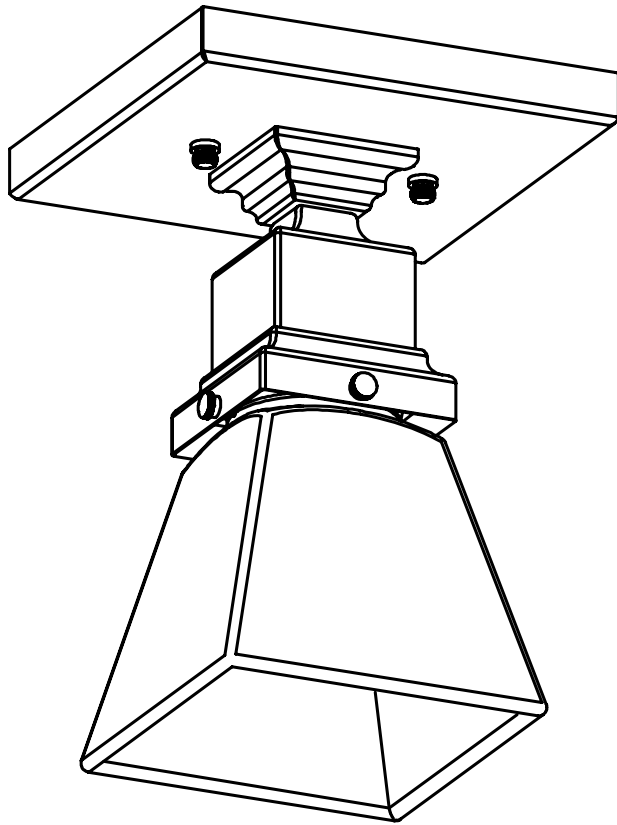
Durably constructed of solid brass.

Made in USA by Brass Light Gallery.



SPRING GREEN™ ONE LIGHT SEMI FLUSH CEILING FIXTURE

WITH 2-1/4" SHADE HOLDER



**NEW
CLASSICS™**
Handmade in USA

FINISHES - applied by hand.

Polished Nickel	Architectural Bronze
Brushed Nickel	Verdigris Patina
Black	Distressed Brass
Brushed Brass	Antique Copper
Polished Brass	Satin Antique Brass
Antique Nickel	Unlacquered Pol. Brass

Other finishes available for additional charge, inquire.

GR-400-B1-01M Shown with A101 shade(s)

Medium base screw-in socket (1) accepts 150 W max incandescent, compact fluorescent, or LED.

GU24 base bi-pin socket available. 277V 4 pin socket alternative, inquire.

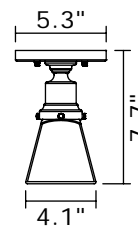
Check our website for alternative 2-1/4" shades.

Mounting plate center mounts to junction box.

UL listed dry location. Damp location available, inquire.

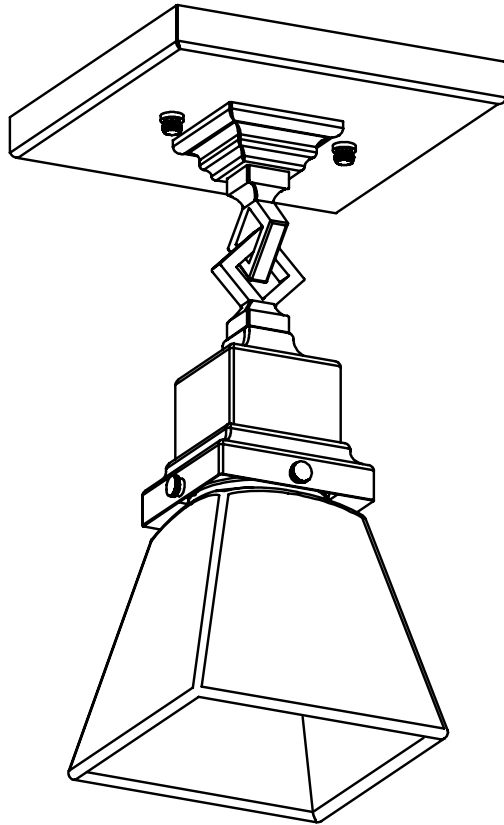
Durably constructed of solid brass.

Made in USA by Brass Light Gallery.



SPRING GREEN™ ONE LIGHT CHAIN LINK CEILING FIXTURE

WITH 2-1/4" SHADE HOLDER



**NEW
CLASSICS™**
Handmade in USA

FINISHES - applied by hand.

Polished Nickel	Architectural Bronze
Brushed Nickel	Verdigris Patina
Black	Distressed Brass
Brushed Brass	Antique Copper
Polished Brass	Satin Antique Brass
Antique Nickel	Unlacquered Pol. Brass
Other finishes available for additional charge, inquire.	

GR-400-B1-02M Shown with A101 shade(s)

Medium base screw-in socket (1) accepts 150 W max incandescent, compact fluorescent, or LED.

GU24 base bi-pin socket available. 277V 4 pin socket alternative, inquire.

Check our website for alternative 2-1/4" shades.

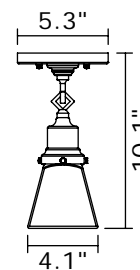
Mounting plate center mounts to junction box.

Mount to flat or to angled ceiling.

UL listed dry location. Damp location available, inquire.

Durably constructed of solid brass.

Made in USA by Brass Light Gallery.



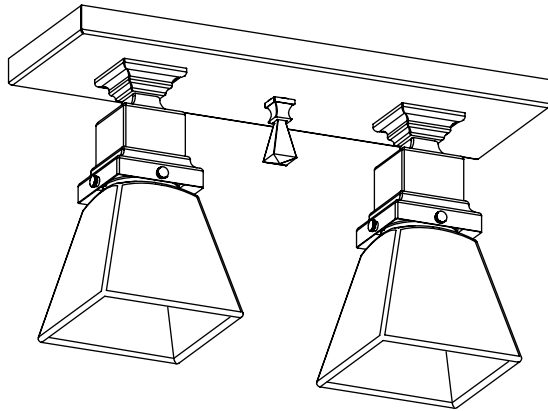
SPRING GREEN™ TWO LIGHT SEMI FLUSH CEILING FIXTURE

WITH 2-1/4" SHADE HOLDERS

brasslightgallery.com 800-243-9595 sales@brasslight.com

Spring Green Family v1.0 page 7

**NEW
CLASSICS™**
Handmade in USA



FINISHES - applied by hand.

Polished Nickel	Architectural Bronze
Brushed Nickel	Verdigris Patina
Black	Distressed Brass
Brushed Brass	Antique Copper
Polished Brass	Satin Antique Brass
Antique Nickel	Unlacquered Pol. Brass

Other finishes available for additional charge, inquire.

GR-403-B1-01M Shown with A101 shade(s)

Medium base screw-in sockets (2) each accept 150 W max incandescent, compact fluorescent, or LED.

GU24 base bi-pin socket available. 277V 4 pin socket alternative, inquire.

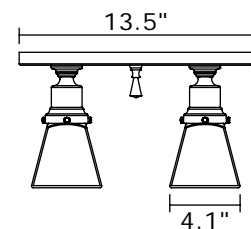
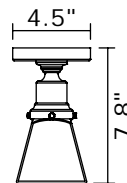
Check our website for alternative 2-1/4" shades.

Mounting plate center mounts to junction box.

UL listed dry location. Damp location available, inquire.

Durably constructed of solid brass.

Made in USA by Brass Light Gallery.



BRASS LIGHT GALLERY
• MILWAUKEE •

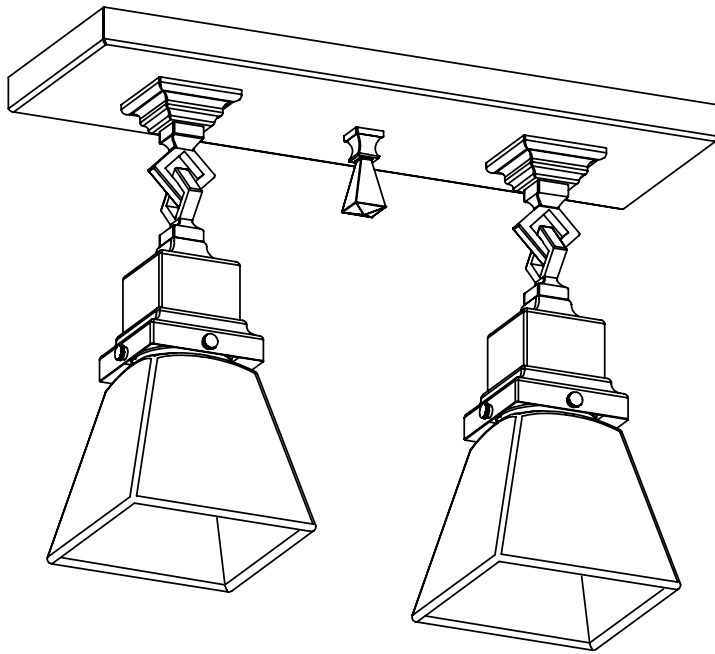
© 2013, Brass Light Gallery®

SPRING GREEN™ TWO LIGHT CHAIN LINK CEILING FIXTURE

WITH 2-1/4" SHADE HOLDERS

brasslightgallery.com 800-243-9595 sales@brasslight.com

Spring Green Family v1.0 page 8



NEW
CLASSICS™
Handmade in USA

FINISHES - applied by hand.

Polished Nickel	Architectural Bronze
Brushed Nickel	Verdigris Patina
Black	Distressed Brass
Brushed Brass	Antique Copper
Polished Brass	Satin Antique Brass
Antique Nickel	Unlacquered Pol. Brass

Other finishes available for additional charge, inquire.

GR-403-B1-02M Shown with A101 shade(s)

Medium base screw-in sockets (2) each accept 150 W max incandescent, compact fluorescent, or LED.

GU24 base bi-pin socket available. 277V 4 pin socket alternative, inquire.

Check our website for alternative 2-1/4" shades.

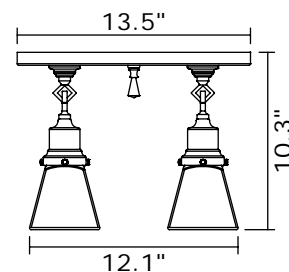
Mounting plate center mounts to junction box.

Mount to flat or to angled ceiling.

UL listed dry location. Damp location available, inquire.

Durably constructed of solid brass.

Made in USA by Brass Light Gallery.

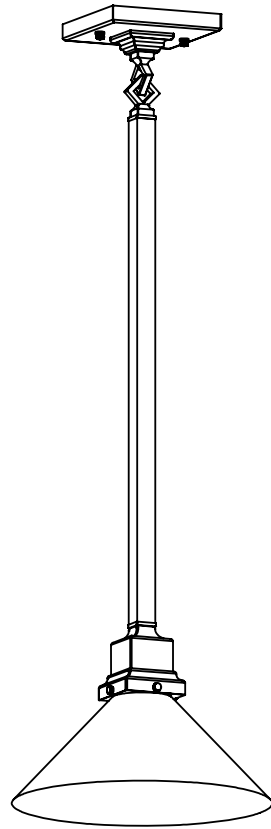


BRASS LIGHT GALLERY
• MILWAUKEE •

© 2013, Brass Light Gallery®

SPRING GREEN™ ONE LIGHT CHAIN LINK PENDANT

WITH 2-1/4" SHADE HOLDER



**NEW
CLASSICS™**
Handmade in USA

FINISHES - applied by hand.

Polished Nickel	Architectural Bronze
Brushed Nickel	Verdigris Patina
Black	Distressed Brass
Brushed Brass	Antique Copper
Polished Brass	Satin Antique Brass
Antique Nickel	Unlacquered Pol. Brass

Other finishes available for additional charge, inquire.

GR-408-B1-04M Shown with A156 shade(s)

Medium base screw-in socket (1) accepts 150 W max incandescent, compact fluorescent, or LED.

GU24 base bi-pin socket available. 277V 4 pin socket alternative, inquire.

Check our website for alternative 2-1/4" shades.

Mounting plate center mounts to junction box.

Specify overall length. Minimum overall length 13".

Mount to flat or to angled ceiling.

UL listed dry location. Damp location available, inquire.

Durably constructed of solid brass.

Made in USA by Brass Light Gallery.

