

SHORELAND FAMILY

Lighting styled with a clean, classic design. Reproduced from early 20th century American originals. The Shoreland Family is suitable for both traditional and contemporary interior lighting.

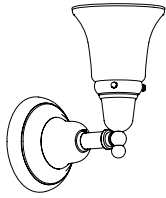


NEW
CLASSICS
Handmade in USA

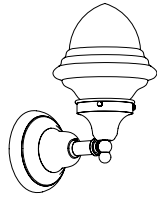
SHORELAND FAMILY

INTERIOR LIGHTING FIXTURES

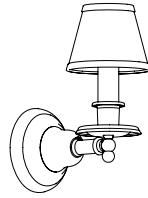
brasslightgallery.com 800-243-9595 sales@brasslight.com



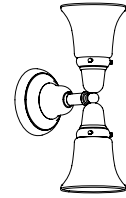
CN-100-A4



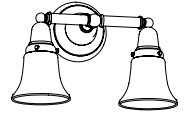
CN-100-A5



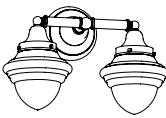
CN-100-B7



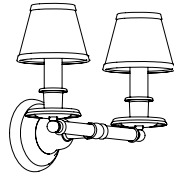
CN-100-C2



CN-102-A4



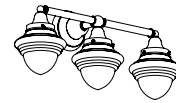
CN-102-A5



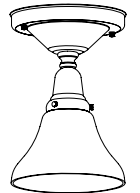
CN-102-B7



CN-103-A4



CN-103-A5



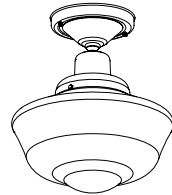
CN-402-A4-01M



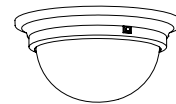
CN-402-A5-01M



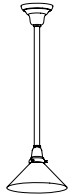
CN-402-A6-01M



CN-402-A8-01M



CN-405-01M



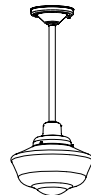
CN-410-A4-03M



CN-410-A5-03M



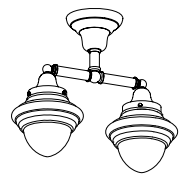
CN-410-A6-03M



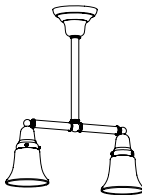
CN-411-A8-03M



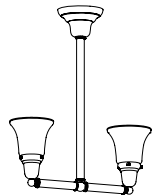
CN-430-A4-03M



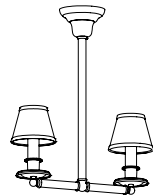
CN-430-A5-03M



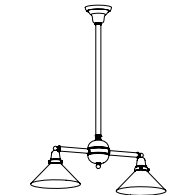
CN-431-A4-03M



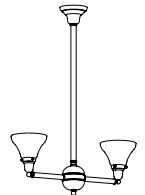
CN-431-A4-09M



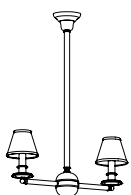
CN-431-B7-09M



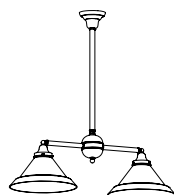
CN-440-A4-03M



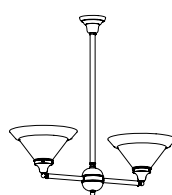
CN-440-A4-09M



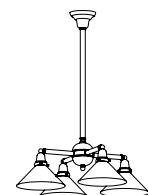
CN-440-B7-09M



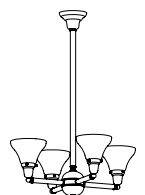
CN-442-A5-03M



CN-442-A5-09M



CN-444-A4-03M

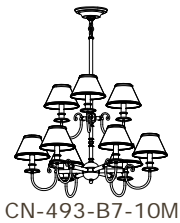
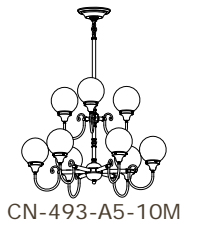
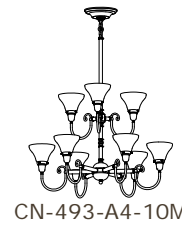
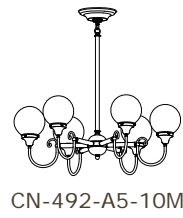
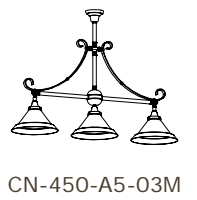
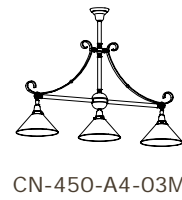
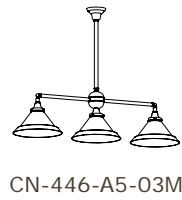
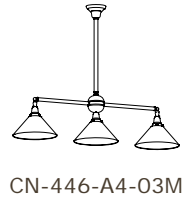


CN-444-A4-09M

Shoreland Family v1.0 page 2

SHORELAND FAMILY

INTERIOR LIGHTING FIXTURES



brasslightgallery.com 800-243-9595 sales@brasslight.com

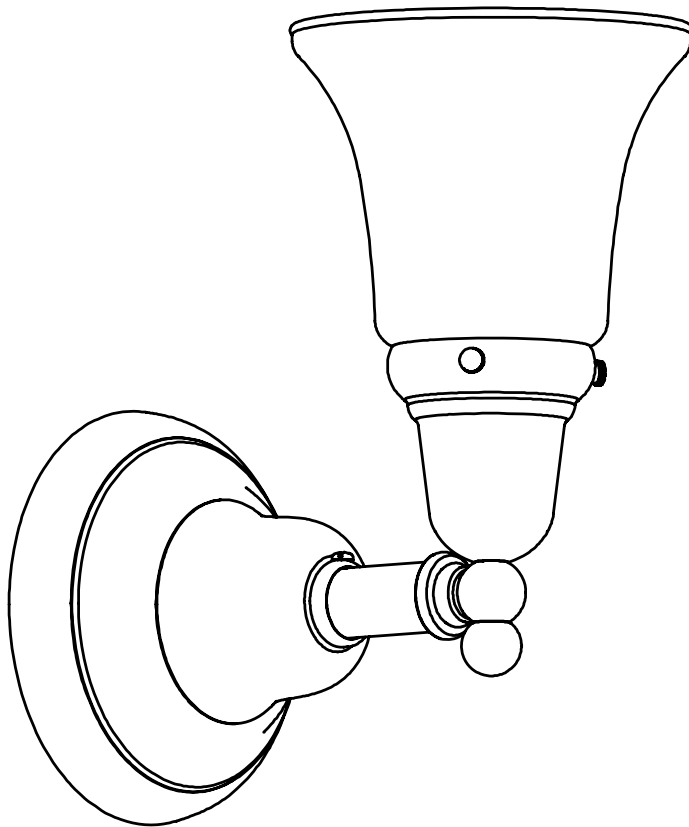
Shoreland Family v1.0 page 3

SHORELAND ONE LIGHT STRAIGHT ARM SCONCE

WITH 2-1/4" SHADE HOLDER

brasslightgallery.com 800-243-9595 sales@brasslight.com

Shoreland Family v1.0 page 4



**NEW
CLASSICS**
Handmade in USA

FINISHES - applied by hand.

Polished Nickel	Architectural Bronze
Brushed Nickel	Verdigris Patina
Black	Distressed Brass
Brushed Brass	Antique Copper
Polished Brass	Satin Antique Brass
Antique Nickel	Unlacquered Pol. Brass

Other finishes available for additional charge, inquire.

CN-100-A4 Shown with A151 shade

Medium base screw-in socket (1) accepts 150 W max incandescent, compact fluorescent, or LED.

GU24 base bi-pin socket available. 277V 4 pin socket alternative, inquire.

Check our website for alternative 2-1/4" shades.

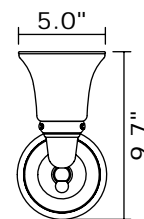
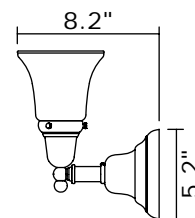
Center mount to junction box.

Mount glass up or glass down.

UL listed dry location. Damp location available, inquire.

Durably constructed of solid brass.

Made in USA by Brass Light Gallery.



BRASS LIGHT GALLERY
• MILWAUKEE •

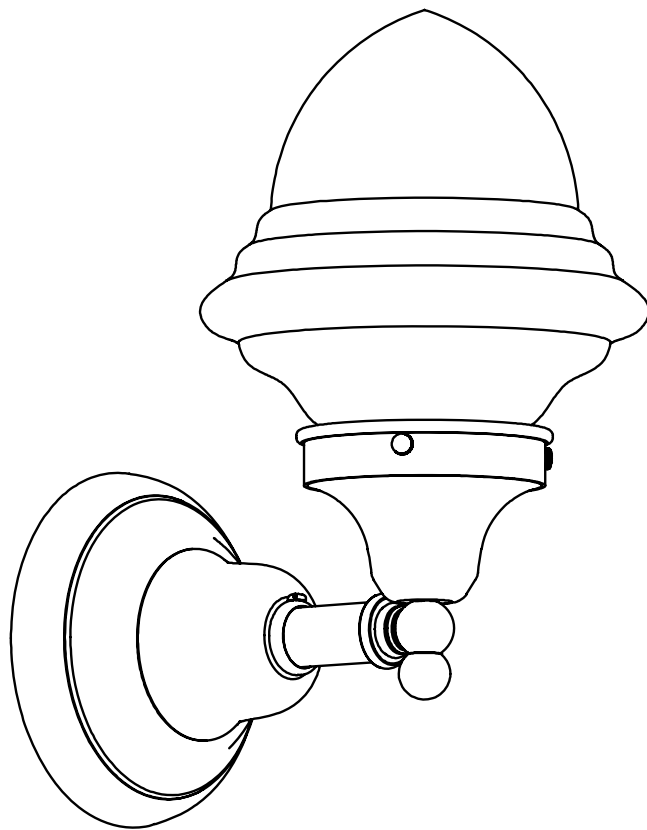
© 2012, Brass Light Gallery®

SHORELAND ONE LIGHT STRAIGHT ARM SCONCE

WITH 3-1/4" SHADE HOLDER

brasslightgallery.com 800-243-9595 sales@brasslight.com

Shoreland Family v1.0 page 5



**NEW
CLASSICS**
Handmade in USA

FINISHES - applied by hand.

Polished Nickel	Architectural Bronze
Brushed Nickel	Verdigris Patina
Black	Distressed Brass
Brushed Brass	Antique Copper
Polished Brass	Satin Antique Brass
Antique Nickel	Unlacquered Pol. Brass

Other finishes available for additional charge, inquire.

CN-100-A5 Shown with B141 shade

Medium base screw-in socket (1) accepts 150 W max incandescent, compact fluorescent, or LED.

GU24 base bi-pin socket available. 277V 4 pin socket alternative, inquire.

Check our website for alternative 3-1/4" shades.

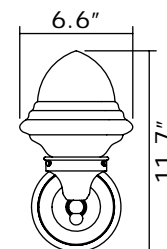
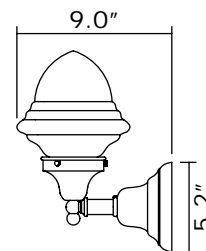
Center mount to junction box.

Mount glass up or glass down.

UL listed dry location. Damp location available, inquire.

Durably constructed of solid brass.

Made in USA by Brass Light Gallery.

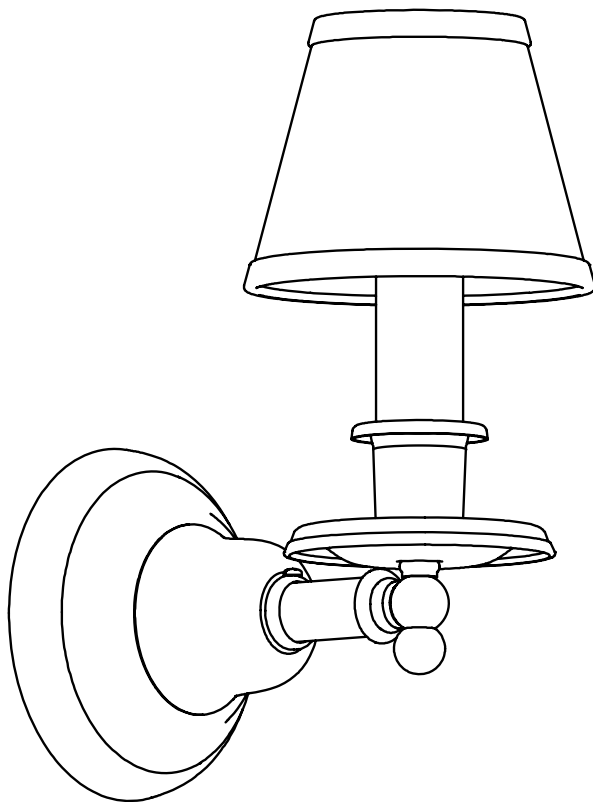


SHORELAND ONE LIGHT STRAIGHT ARM SCONCE

WITH ELECTRIC CANDLE

brasslightgallery.com 800-243-9595 sales@brasslight.com

Shoreland Family v1.0 page 6



**NEW
CLASSICS**
Handmade in USA

FINISHES - applied by hand.

Polished Nickel	Architectural Bronze
Brushed Nickel	Verdigris Patina
Black	Distressed Brass
Brushed Brass	Antique Copper
Polished Brass	Satin Antique Brass
Antique Nickel	Unlacquered Pol. Brass

Other finishes available for additional charge, inquire.

CN-100-B7 Shown with E220 shade

Medium base screw-in socket (1) accepts 60 W max incandescent, compact fluorescent, or LED.

GU24 base bi-pin socket available. 277V 4 pin socket alternative, inquire.

Check online for alternative clip-on shades rated at 40 to 100 watts with this fixture.

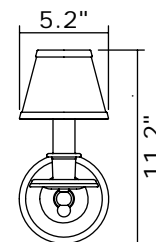
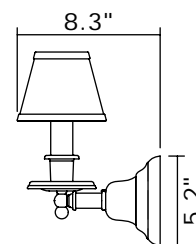
Center mount to junction box.

Mount candle up.

UL listed dry location.

Durably constructed of solid brass.

Made in USA by Brass Light Gallery.

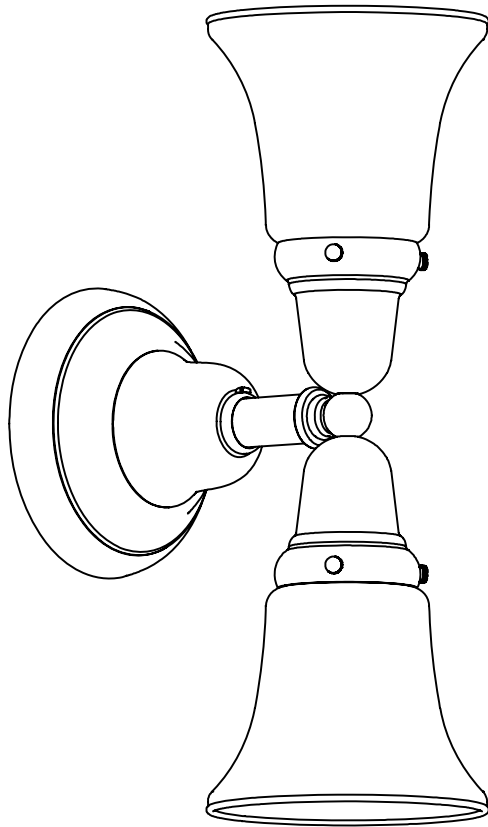


SHORELAND TWO LIGHT LINEAR SCONCE

WITH 2-1/4" SHADE HOLDERS

brasslightgallery.com 800-243-9595 sales@brasslight.com

Shoreland Family v1.0 page 7



**NEW
CLASSICS**
Handmade in USA

FINISHES - applied by hand.

Polished Nickel	Architectural Bronze
Brushed Nickel	Verdigris Patina
Black	Distressed Brass
Brushed Brass	Antique Copper
Polished Brass	Satin Antique Brass
Antique Nickel	Unlacquered Pol. Brass

Other finishes available for additional charge, inquire.

CN-100-C2 Shown with A151 shade

Medium base screw-in sockets (2) each accept 150 W max incandescent, compact fluorescent, or LED.

GU24 base bi-pin socket available. 277V 4 pin socket alternative, inquire.

Check our website for alternative 2-1/4" shades.

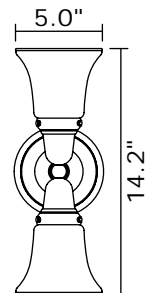
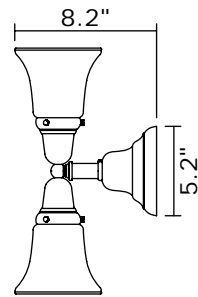
Center mount to junction box.

Mount horizontally or vertically.

UL listed dry location. Damp location available, inquire.

Durably constructed of solid brass.

Made in USA by Brass Light Gallery.



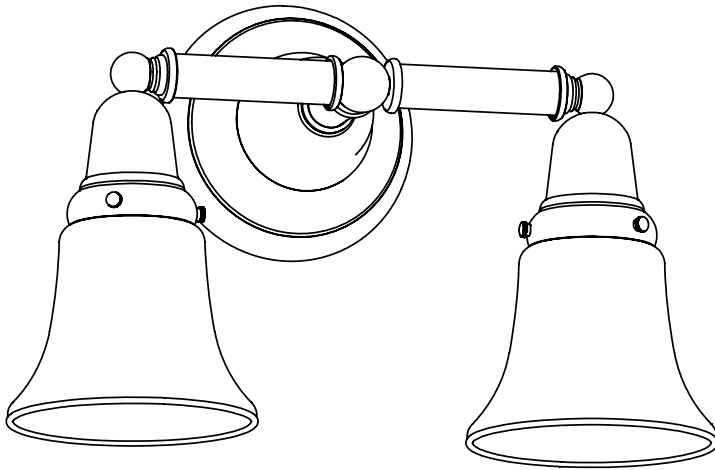
SHORELAND TWO LIGHT STRAIGHT ARM SCONCE

WITH 2-1/4" SHADE HOLDERS

brasslightgallery.com 800-243-9595 sales@brasslight.com

Shoreland Family v1.0 page 8

**NEW
CLASSICS**
Handmade in USA



FINISHES - applied by hand.

Polished Nickel	Architectural Bronze
Brushed Nickel	Verdigris Patina
Black	Distressed Brass
Brushed Brass	Antique Copper
Polished Brass	Satin Antique Brass
Antique Nickel	Unlacquered Pol. Brass

Other finishes available for additional charge, inquire.

CN-102-A4 Shown with A151 shade

Medium base screw-in sockets (2) each accept 150 W max incandescent, compact fluorescent, or LED.

GU24 base bi-pin socket available. 277V 4 pin socket alternative, inquire.

Check our website for alternative 2-1/4" shades.

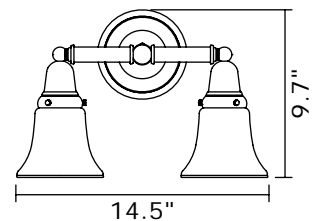
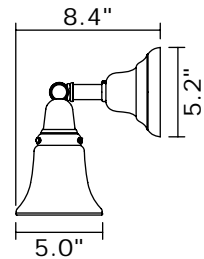
Center mount to junction box.

Mount glass up or glass down.

UL listed dry location. Damp location available, inquire.

Durably constructed of solid brass.

Made in USA by Brass Light Gallery.



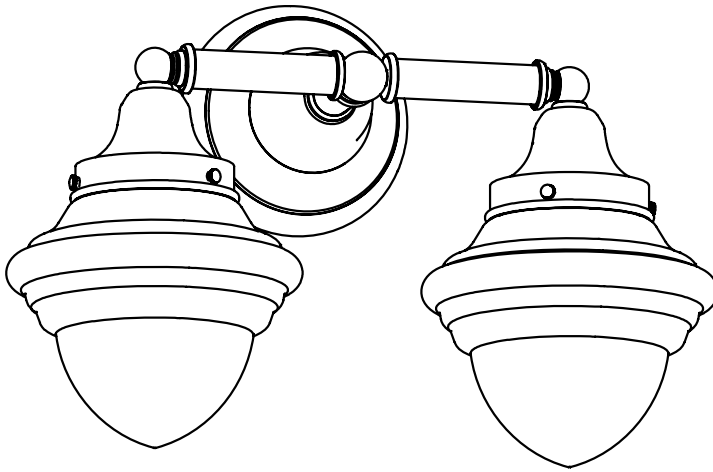
SHORELAND TWO LIGHT STRAIGHT ARM SCONCE

WITH 3-1/4" SHADE HOLDERS

brasslightgallery.com 800-243-9595 sales@brasslight.com

Shoreland Family v1.0 page 9

**NEW
CLASSICS**
Handmade in USA



FINISHES - applied by hand.

Polished Nickel	Architectural Bronze
Brushed Nickel	Verdigris Patina
Black	Distressed Brass
Brushed Brass	Antique Copper
Polished Brass	Satin Antique Brass
Antique Nickel	Unlacquered Pol. Brass

Other finishes available for additional charge, inquire.

CN-102-A5 Shown with B141 shade

Medium base screw-in sockets (2) each accept 150 W max incandescent, compact fluorescent, or LED.

GU24 base bi-pin socket available. 277V 4 pin socket alternative, inquire.

Check our website for alternative 3-1/4" shades.

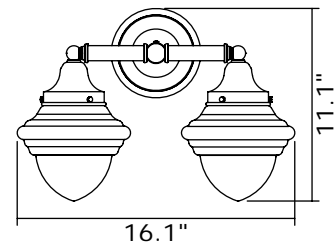
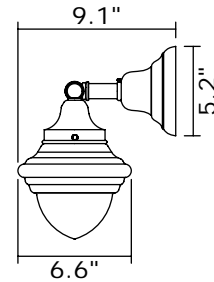
Center mount to junction box.

Mount glass up or glass down.

UL listed dry location. Damp location available, inquire.

Durably constructed of solid brass.

Made in USA by Brass Light Gallery.

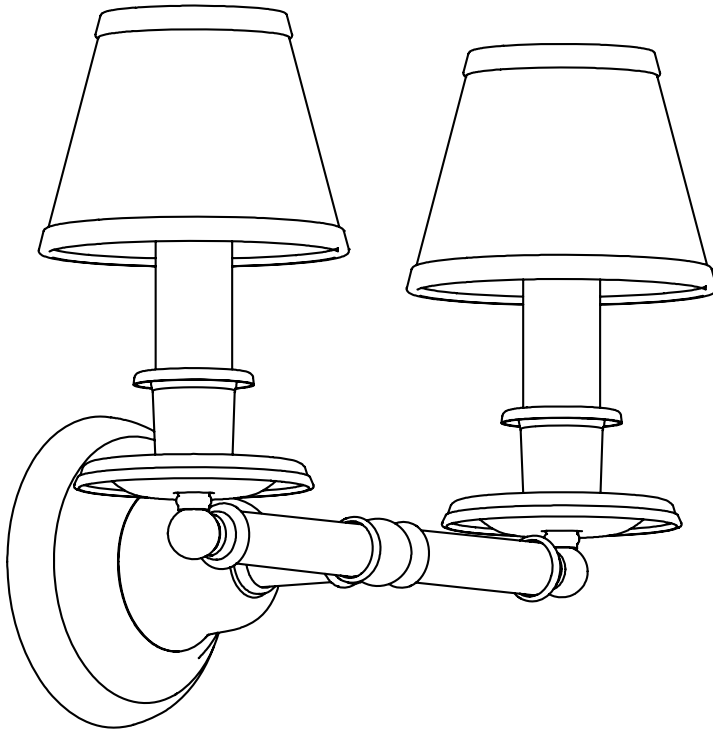


SHORELAND TWO LIGHT STRAIGHT ARM SCONCE

WITH ELECTRIC CANDLES

brasslightgallery.com 800-243-9595 sales@brasslight.com

Shoreland Family v1.0 page 10



**NEW
CLASSICS**
Handmade in USA

FINISHES - applied by hand.

Polished Nickel	Architectural Bronze
Brushed Nickel	Verdigris Patina
Black	Distressed Brass
Brushed Brass	Antique Copper
Polished Brass	Satin Antique Brass
Antique Nickel	Unlacquered Pol. Brass

Other finishes available for additional charge, inquire.

CN-102-B7 Shown with E220 shade

Medium base screw-in sockets (2) each accept 60 W max incandescent, compact fluorescent, or LED.

GU24 base bi-pin socket available. 277V 4 pin socket alternative, inquire.

Check online for alternative clip-on shades rated at 40 to 100 watts with this fixture.

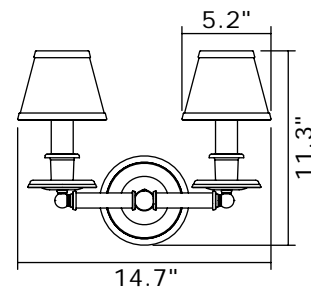
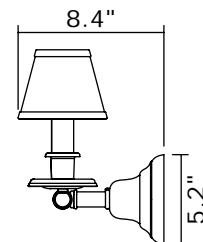
Center mount to junction box.

Mount candle up.

UL listed dry location.

Durably constructed of solid brass.

Made in USA by Brass Light Gallery.



BRASS LIGHT GALLERY
• MILWAUKEE •

© 2012, Brass Light Gallery®

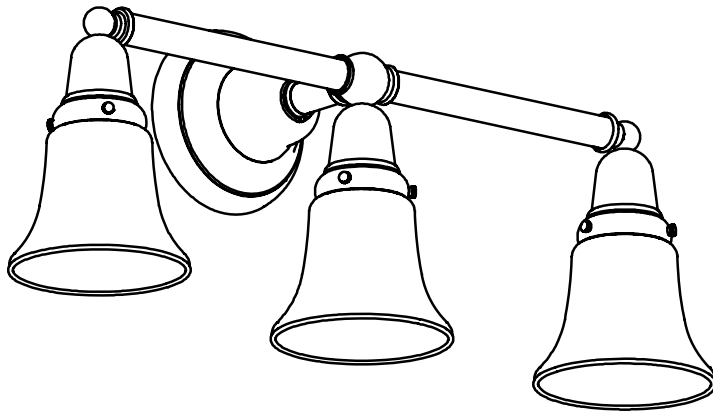
SHORELAND THREE LIGHT STRAIGHT ARM SCONCE

WITH 2-1/4" SHADE HOLDERS

brasslightgallery.com 800-243-9595 sales@brasslight.com

Shoreland Family v1.0 page 11

**NEW
CLASSICS**
Handmade in USA



FINISHES - applied by hand.

Polished Nickel	Architectural Bronze
Brushed Nickel	Verdigris Patina
Black	Distressed Brass
Brushed Brass	Antique Copper
Polished Brass	Satin Antique Brass
Antique Nickel	Unlacquered Pol. Brass

Other finishes available for additional charge, inquire.

CN-103-A4 Shown with A151 shade

Medium base screw-in sockets (3) each accept 150 W max incandescent, compact fluorescent, or LED.

GU24 base bi-pin socket available. 277V 4 pin socket alternative, inquire.

Check our website for alternative 2-1/4" shades.

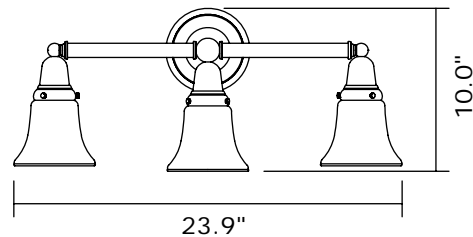
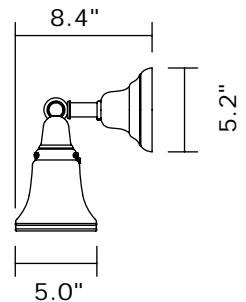
Center mount to junction box.

Mount glass up or glass down.

UL listed dry location. Damp location available, inquire.

Durably constructed of solid brass.

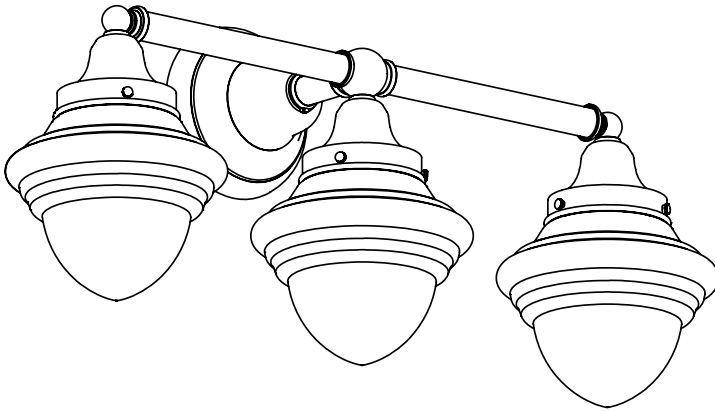
Made in USA by Brass Light Gallery.



SHORELAND THREE LIGHT STRAIGHT ARM SCONCE

WITH 3-1/4" SHADE HOLDERS

**NEW
CLASSICS**
Handmade in USA



FINISHES - applied by hand.

Polished Nickel	Architectural Bronze
Brushed Nickel	Verdigris Patina
Black	Distressed Brass
Brushed Brass	Antique Copper
Polished Brass	Satin Antique Brass
Antique Nickel	Unlacquered Pol. Brass

Other finishes available for additional charge, inquire.

CN-103-A5 Shown with B141 shade

Medium base screw-in sockets (3) each accept 150 W max incandescent, compact fluorescent, or LED.

GU24 base bi-pin socket available. 277V 4 pin socket alternative, inquire.

Check our website for alternative 3-1/4" shades.

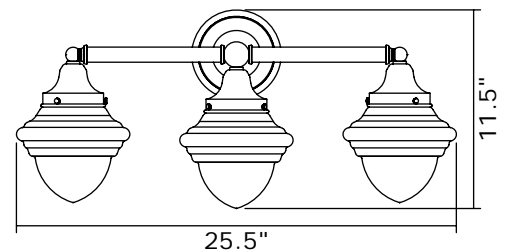
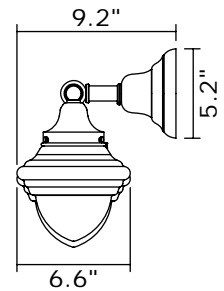
Center mount to junction box.

Mount glass up or glass down.

UL listed dry location. Damp location available, inquire.

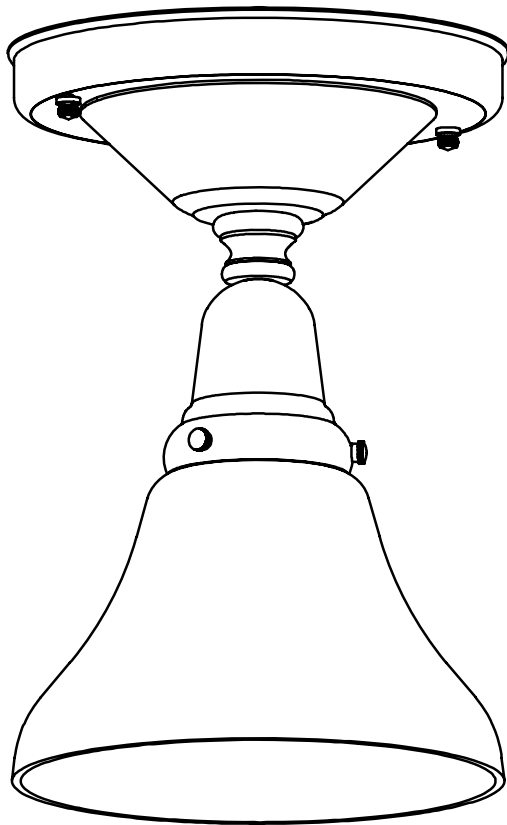
Durably constructed of solid brass.

Made in USA by Brass Light Gallery.



SHORELAND ONE LIGHT SEMI FLUSH CEILING FIXTURE

WITH 2-1/4" SHADE HOLDER



**NEW
CLASSICS**
Handmade in USA

FINISHES - applied by hand.

Polished Nickel	Architectural Bronze
Brushed Nickel	Verdigris Patina
Black	Distressed Brass
Brushed Brass	Antique Copper
Polished Brass	Satin Antique Brass
Antique Nickel	Unlacquered Pol. Brass

Other finishes available for additional charge, inquire.

CN-402-A4-01M Shown with A154 shade

Medium base screw-in socket (1) accepts 150 W max incandescent, compact fluorescent, or LED.

GU24 base bi-pin socket available. 277V 4 pin socket alternative, inquire.

Check our website for alternative 2-1/4" shades.

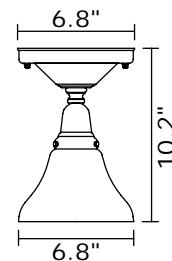
Center mount to junction box.

Angled ceiling version available, inquire.

UL listed dry location. Damp location available, inquire.

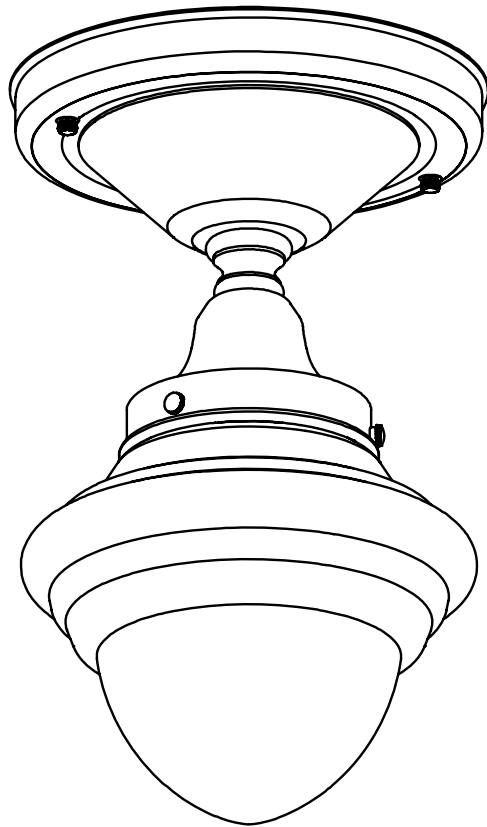
Durably constructed of solid brass.

Made in USA by Brass Light Gallery.



SHORELAND ONE LIGHT SEMI FLUSH CEILING FIXTURE

WITH 3-1/4" SHADE HOLDER



**NEW
CLASSICS**
Handmade in USA

FINISHES - applied by hand.

Polished Nickel	Architectural Bronze
Brushed Nickel	Verdigris Patina
Black	Distressed Brass
Brushed Brass	Antique Copper
Polished Brass	Satin Antique Brass
Antique Nickel	Unlacquered Pol. Brass
Vintage Nickel	Architectural Iron

CN-402-A5-01M Shown with B141 shade

Medium base screw-in socket (1) accepts 150 W max incandescent, compact fluorescent, or LED.

GU24 base bi-pin socket available. 277V 4 pin socket alternative, inquire.

Check our website for alternative 3-1/4" shades.

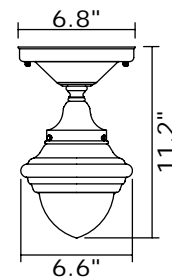
Center mount to junction box.

Angled ceiling version available, inquire.

UL listed dry location. Damp location available, inquire.

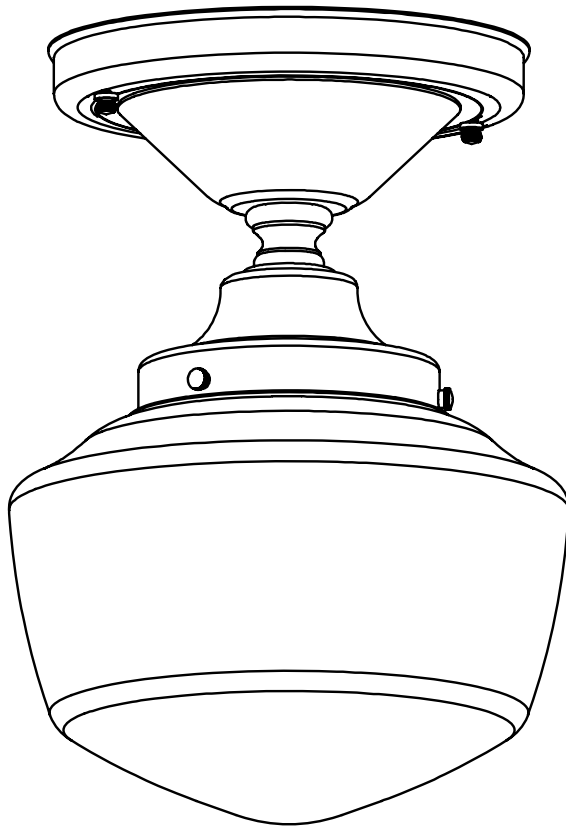
Durably constructed of solid brass.

Made in USA by Brass Light Gallery.



SHORELAND ONE LIGHT SEMI FLUSH CEILING FIXTURE

WITH 4-1/4" SHADE HOLDER



**NEW
CLASSICS**
Handmade in USA

FINISHES - applied by hand.

Polished Nickel	Architectural Bronze
Brushed Nickel	Verdigris Patina
Black	Distressed Brass
Brushed Brass	Antique Copper
Polished Brass	Satin Antique Brass
Antique Nickel	Unlacquered Pol. Brass

Other finishes available for additional charge, inquire.

CN-402-A6-01M Shown with C300 shade

Medium base screw-in socket (1) accepts 150 W max incandescent, compact fluorescent, or LED.

GU24 base bi-pin socket available. 277V 4 pin socket alternative, inquire.

Check our website for alternative 4-1/4" shades.

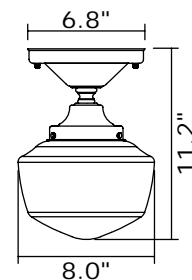
Center mount to junction box.

Angled ceiling version available, inquire.

UL listed dry location. Damp location available, inquire.

Durably constructed of solid brass.

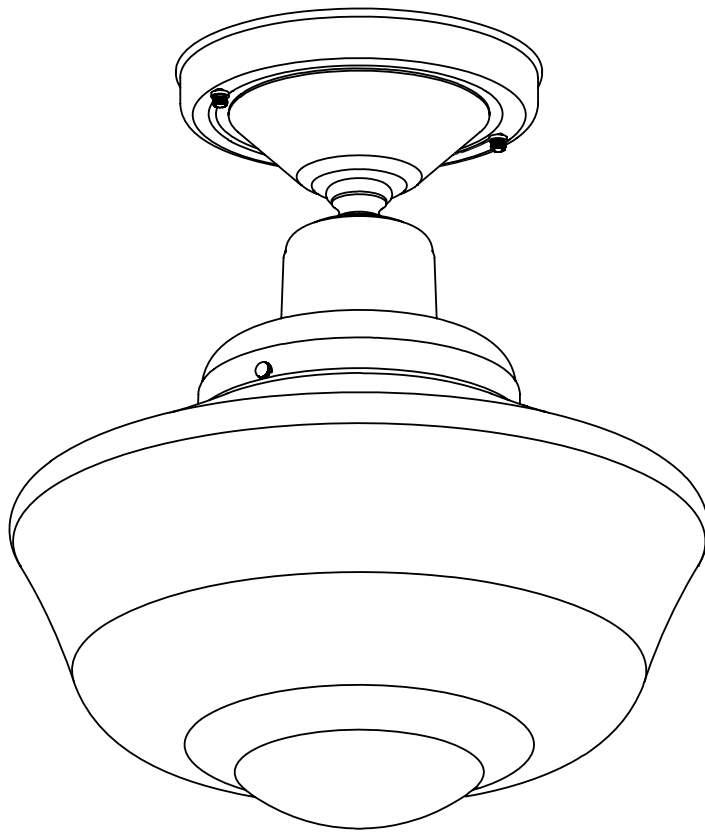
Made in USA by Brass Light Gallery.



SHORELAND ONE LIGHT SEMI FLUSH CEILING FIXTURE

WITH 6-1/4" SHADE HOLDER

brasslightgallery.com 800-243-9595 sales@brasslight.com



**NEW
CLASSICS**
Handmade in USA

FINISHES - applied by hand.

Polished Nickel	Architectural Bronze
Brushed Nickel	Verdigris Patina
Black	Distressed Brass
Brushed Brass	Antique Copper
Polished Brass	Satin Antique Brass
Antique Nickel	Unlacquered Pol. Brass

Other finishes available for additional charge, inquire.

CN-402-A8-01M Shown with D303 shade

Medium base screw-in socket (1) accepts 150 W max incandescent, compact fluorescent, or LED.

GU24 base bi-pin socket available. 277V 4 pin socket alternative, inquire.

Check our website for alternative 6-1/4" shades.

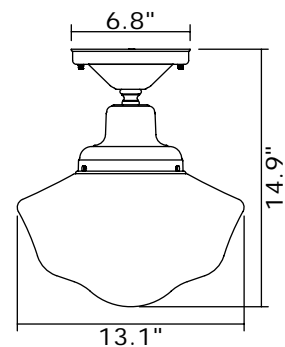
Center mount to junction box.

Angled ceiling version available, inquire.

UL listed dry location. Damp location available, inquire.

Durably constructed of solid brass.

Made in USA by Brass Light Gallery.

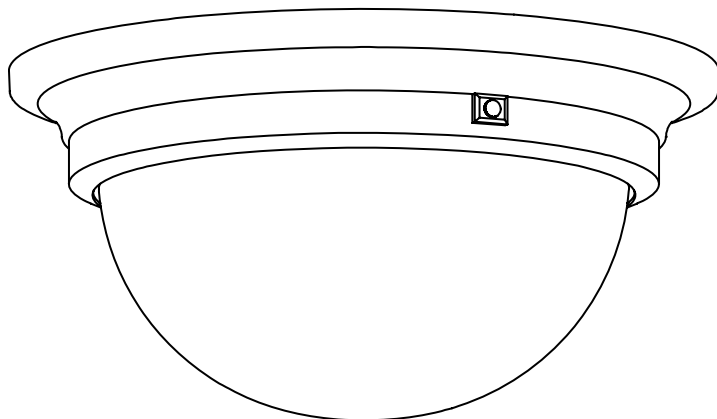


Shoreland Family v1.0 page 16

SHORELAND FLUSH CEILING FIXTURE

brasslightgallery.com 800-243-9595 sales@brasslight.com

Shoreland Family v1.0 page 17



**NEW
CLASSICS**
Handmade in USA

FINISHES - applied by hand.

Polished Nickel	Architectural Bronze
Brushed Nickel	Verdigris Patina
Black	Distressed Brass
Brushed Brass	Antique Copper
Polished Brass	Satin Antique Brass
Antique Nickel	Unlacquered Pol. Brass

Other finishes available for additional charge, inquire.

CN-405-01M

Candelabra base screw-in sockets (2) each accept 60 W max incandescent, compact fluorescent, or LED.

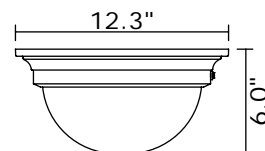
GU24 base bi-pin socket available. 277V 4 pin socket alternative, inquire.

Center mount to junction box.

UL listed dry location. Damp location available, inquire.

Durably constructed of solid brass.

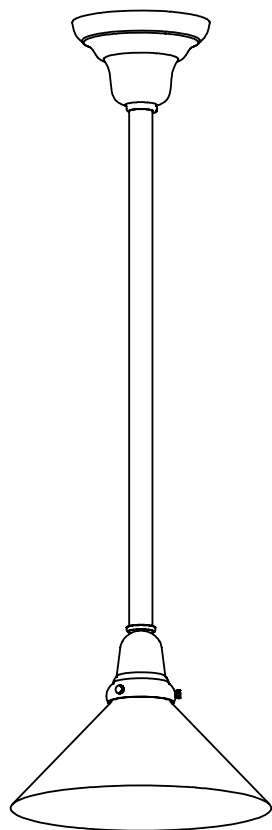
Made in USA by Brass Light Gallery.



SHORELAND ONE LIGHT PENDANT

WITH 2-1/4" SHADE HOLDER

brasslightgallery.com 800-243-9595 sales@brasslight.com

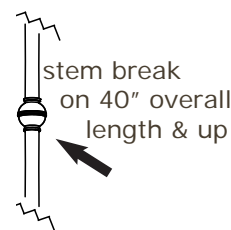


**NEW
CLASSICS**
Handmade in USA

FINISHES - applied by hand.

Polished Nickel	Architectural Bronze
Brushed Nickel	Verdigris Patina
Black	Distressed Brass
Brushed Brass	Antique Copper
Polished Brass	Satin Antique Brass
Antique Nickel	Unlacquered Pol. Brass

Other finishes available for additional charge, inquire.



CN-410-A4-03M Shown with A156 shade

Medium base screw-in socket (1) accepts 150 W max incandescent, compact fluorescent, or LED.

GU24 base bi-pin socket available. 277V 4 pin socket alternative, inquire.

Check our website for alternative 2-1/4" shades.

Center mount to junction box.

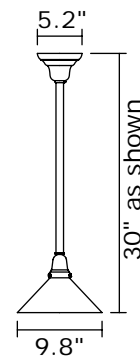
Specify overall length. Minimum overall length 13".

Angled ceiling version available, inquire.

UL listed dry location. Damp location available, inquire.

Durably constructed of solid brass.

Made in USA by Brass Light Gallery.



Shoreland Family v1.0 page 18

BRASS LIGHT GALLERY
• MILWAUKEE •

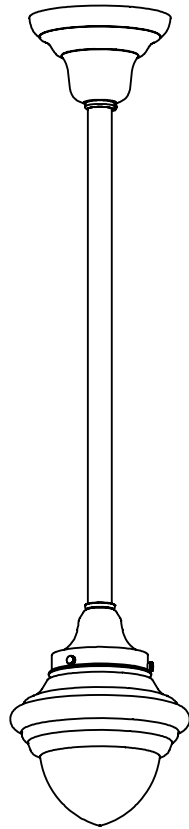
© 2012, Brass Light Gallery®

SHORELAND ONE LIGHT PENDANT

WITH 3-1/4" SHADE HOLDER

brasslightgallery.com 800-243-9595 sales@brasslight.com

Shoreland Family v1.0 page 19

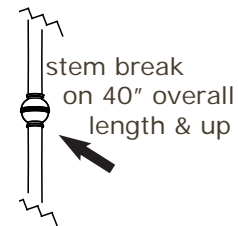


**NEW
CLASSICS**
Handmade in USA

FINISHES - applied by hand.

Polished Nickel	Architectural Bronze
Brushed Nickel	Verdigris Patina
Black	Distressed Brass
Brushed Brass	Antique Copper
Polished Brass	Satin Antique Brass
Antique Nickel	Unlacquered Pol. Brass

Other finishes available for additional charge, inquire.



CN-410-A5-03M Shown with B141 shade

Medium base screw-in socket (1) accepts 150 W max incandescent, compact fluorescent, or LED.

GU24 base bi-pin socket available. 277V 4 pin socket alternative, inquire.

Check our website for alternative 3-1/4" shades.

Center mount to junction box.

Specify overall length. Minimum overall length 13".

Angled ceiling version available, inquire.

UL listed dry location. Damp location available, inquire.

Durably constructed of solid brass.

Made in USA by Brass Light Gallery.



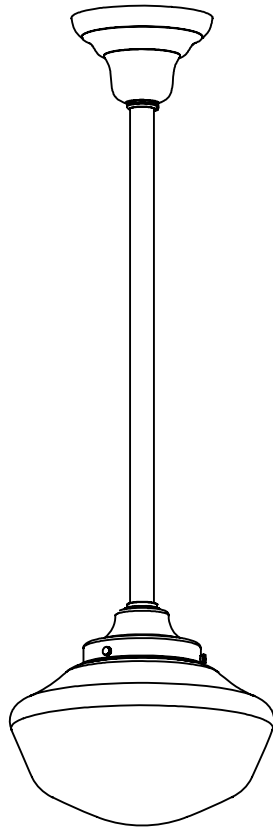
BRASS LIGHT GALLERY
• MILWAUKEE •

© 2012, Brass Light Gallery®

SHORELAND ONE LIGHT PENDANT

WITH 4-1/4" SHADE HOLDER

brasslightgallery.com 800-243-9595 sales@brasslight.com

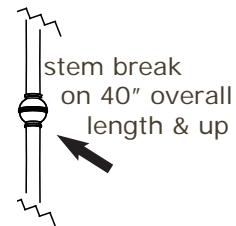


**NEW
CLASSICS**
Handmade in USA

FINISHES - applied by hand.

Polished Nickel	Architectural Bronze
Brushed Nickel	Verdigris Patina
Black	Distressed Brass
Brushed Brass	Antique Copper
Polished Brass	Satin Antique Brass
Antique Nickel	Unlacquered Pol. Brass

Other finishes available for additional charge, inquire.



CN-410-A6-03M Shown with C301 shade

Medium base screw-in socket (1) accepts 150 W max incandescent, compact fluorescent, or LED.

GU24 base bi-pin socket available. 277V 4 pin socket alternative, inquire.

Check our website for alternative 4-1/4" shades.

Center mount to junction box.

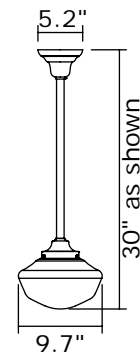
Specify overall length. Minimum overall length 13".

Angled ceiling version available, inquire.

UL listed dry location. Damp location available, inquire.

Durably constructed of solid brass.

Made in USA by Brass Light Gallery.



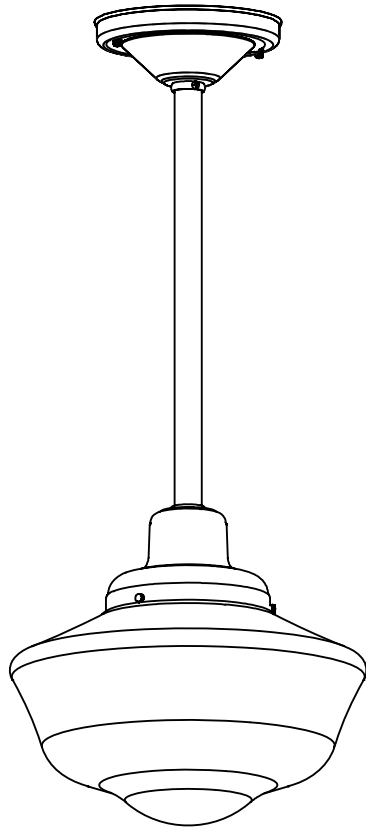
Shoreland Family v1.0 page 20

SHORELAND ONE LIGHT PENDANT

WITH 6-1/4" SHADE HOLDER

brasslightgallery.com 800-243-9595 sales@brasslight.com

Shoreland Family v1.0 page 21

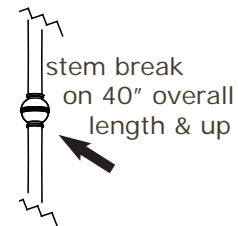


**NEW
CLASSICS**
Handmade in USA

FINISHES - applied by hand.

Polished Nickel	Architectural Bronze
Brushed Nickel	Verdigris Patina
Black	Distressed Brass
Brushed Brass	Antique Copper
Polished Brass	Satin Antique Brass
Antique Nickel	Unlacquered Pol. Brass

Other finishes available for additional charge, inquire.



CN-411-A8-03M Shown with D303 shade

Medium base screw-in socket (1) accepts 150 W max incandescent, compact fluorescent, or LED.

GU24 base bi-pin socket available. 277V 4 pin socket alternative, inquire.

Check our website for alternative 6-1/4" shades.

Center mount to junction box.

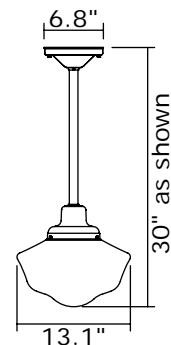
Specify overall length. Minimum overall length 16".

Angled ceiling version available, inquire.

UL listed dry location. Damp location available, inquire.

Durably constructed of solid brass.

Made in USA by Brass Light Gallery.



BRASS LIGHT GALLERY
• MILWAUKEE •

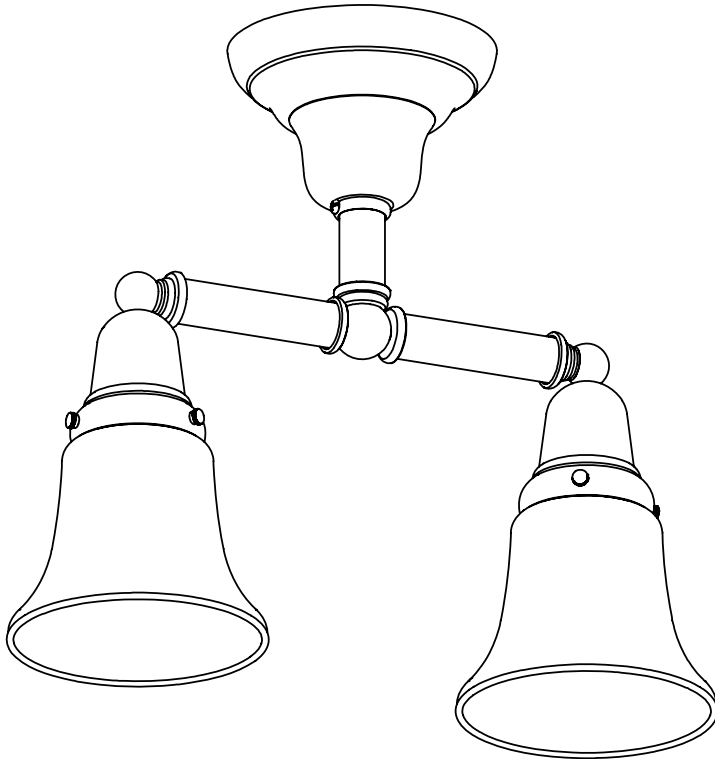
© 2012, Brass Light Gallery®

SHORELAND TWO LIGHT SEMI FLUSH CEILING FIXTURE

WITH 2-1/4" SHADE HOLDERS

brasslightgallery.com 800-243-9595 sales@brasslight.com

Shoreland Family v1.0 page 22



**NEW
CLASSICS**
Handmade in USA

FINISHES - applied by hand.

Polished Nickel	Architectural Bronze
Brushed Nickel	Verdigris Patina
Black	Distressed Brass
Brushed Brass	Antique Copper
Polished Brass	Satin Antique Brass
Antique Nickel	Unlacquered Pol. Brass

Other finishes available for additional charge, inquire.

CN-430-A4-03M Shown with A151 shade

Medium base screw-in sockets (2) each accept 150 W max incandescent, compact fluorescent, or LED.

GU24 base bi-pin socket available. 277V 4 pin socket alternative, inquire.

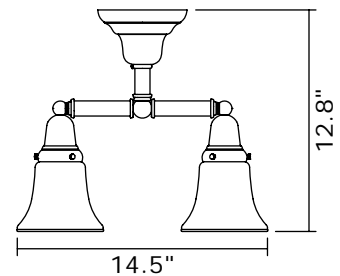
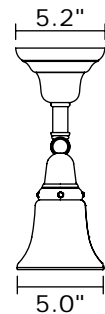
Check our website for alternative 2-1/4" shades.

Center mount to junction box.

UL listed dry location. Damp location available, inquire.

Durably constructed of solid brass.

Made in USA by Brass Light Gallery.



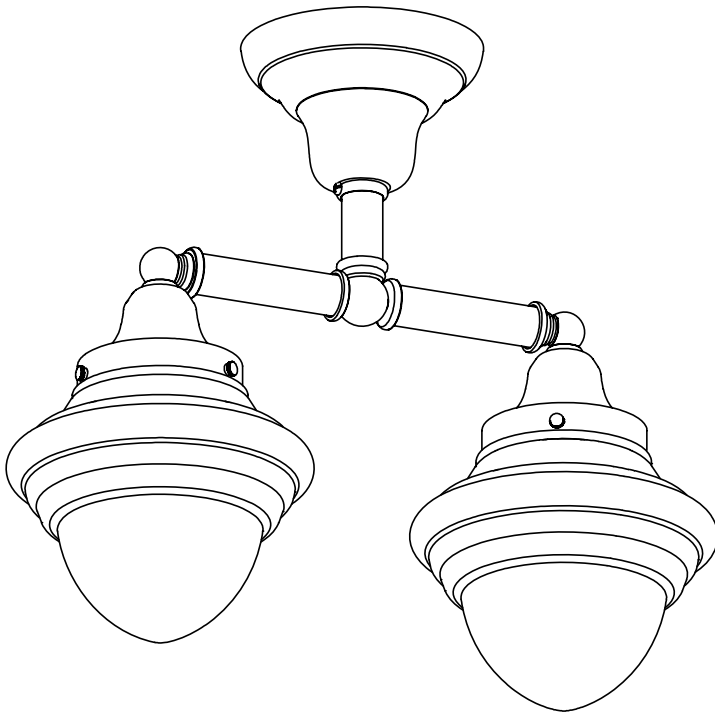
SHORELAND TWO LIGHT SEMI FLUSH CEILING FIXTURE

WITH 3-1/4" SHADE HOLDERS

brasslightgallery.com 800-243-9595 sales@brasslight.com

Shoreland Family v1.0 page 23

**NEW
CLASSICS**
Handmade in USA



FINISHES - applied by hand.

Polished Nickel	Architectural Bronze
Brushed Nickel	Verdigris Patina
Black	Distressed Brass
Brushed Brass	Antique Copper
Polished Brass	Satin Antique Brass
Antique Nickel	Unlacquered Pol. Brass

Other finishes available for additional charge, inquire.

CN-430-A5-03M Shown with B141 shade

Medium base screw-in sockets (2) each accept 150 W max incandescent, compact fluorescent, or LED.

GU24 base bi-pin socket available. 277V 4 pin socket alternative, inquire.

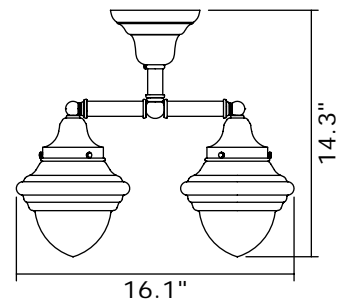
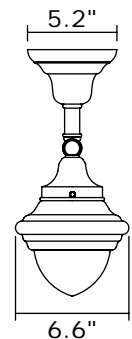
Check our website for alternative 3-1/4" shades.

Center mount to junction box.

UL listed dry location. Damp location available, inquire.

Durably constructed of solid brass.

Made in USA by Brass Light Gallery.



BRASS LIGHT GALLERY
• MILWAUKEE •

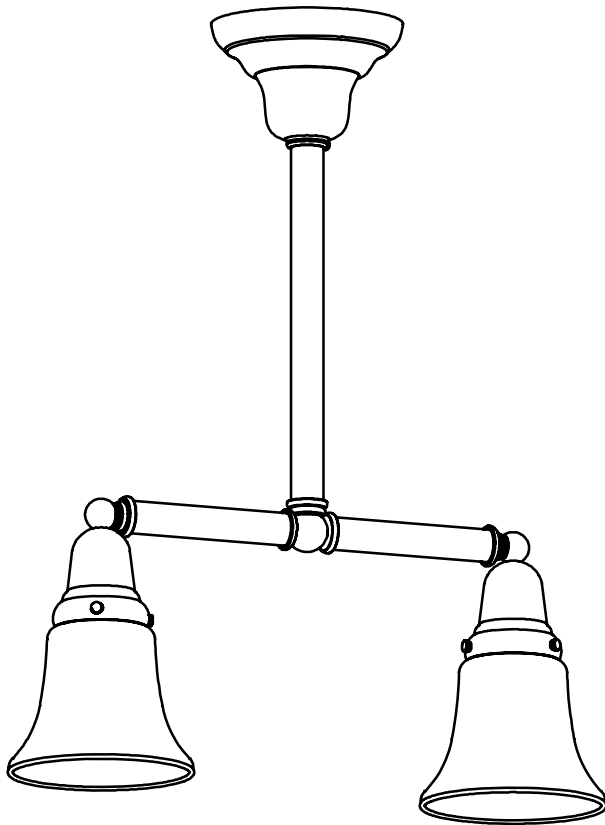
© 2012, Brass Light Gallery®

SHORELAND TWO LIGHT PENDANT

WITH 2-1/4" SHADE HOLDERS DOWN

brasslightgallery.com 800-243-9595 sales@brasslight.com

Shoreland Family v1.0 page 24



NEW CLASSICS
Handmade in USA

FINISHES - applied by hand.

- | | |
|-----------------|------------------------|
| Polished Nickel | Architectural Bronze |
| Brushed Nickel | Verdigris Patina |
| Black | Distressed Brass |
| Brushed Brass | Antique Copper |
| Polished Brass | Satin Antique Brass |
| Antique Nickel | Unlacquered Pol. Brass |
- Other finishes available for additional charge, inquire.

CN-431-A4-03M Shown with A151 shade

Medium base screw-in sockets (2) each accept 150 W max incandescent, compact fluorescent, or LED.

GU24 base bi-pin socket available. 277V 4 pin socket alternative, inquire.

Check our website for alternative 2-1/4" shades.

Center mount to junction box.

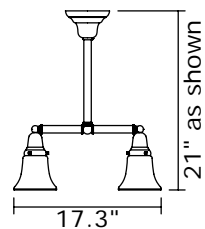
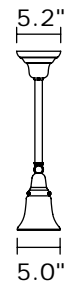
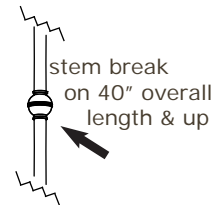
Specify overall length. Minimum overall length 13".

Angled ceiling version available, inquire.

UL listed dry location. Damp location available, inquire.

Durably constructed of solid brass.

Made in USA by Brass Light Gallery.

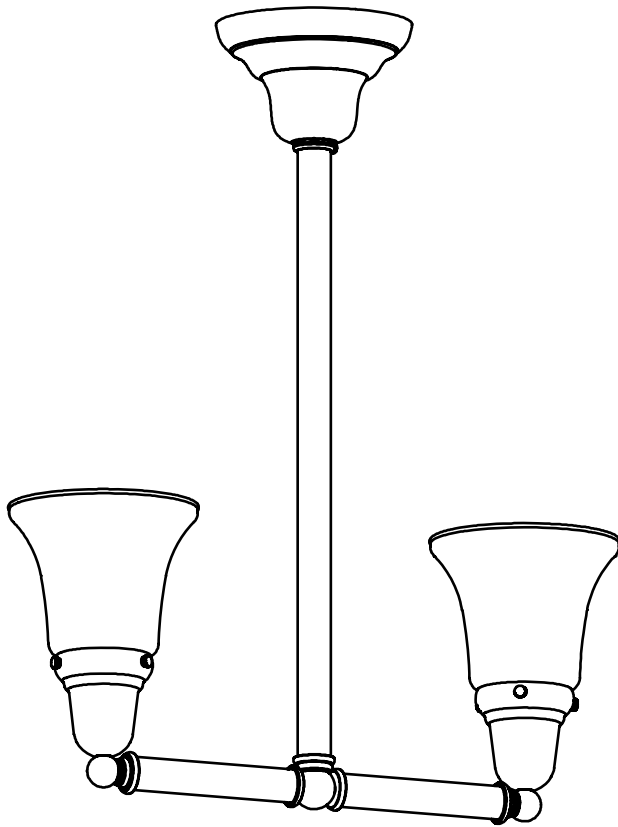


SHORELAND TWO LIGHT PENDANT

WITH 2-1/4" SHADE HOLDERS UP

brasslightgallery.com 800-243-9595 sales@brasslight.com

Shoreland Family v1.0 page 25



**NEW
CLASSICS**
Handmade in USA

FINISHES - applied by hand.

Polished Nickel	Architectural Bronze
Brushed Nickel	Verdigris Patina
Black	Distressed Brass
Brushed Brass	Antique Copper
Polished Brass	Satin Antique Brass
Antique Nickel	Unlacquered Pol. Brass

Other finishes available for additional charge, inquire.

CN-431-A4-09M Shown with A151 shade

Medium base screw-in sockets (2) each accept 150 W max incandescent, compact fluorescent, or LED.

GU24 base bi-pin socket available. 277V 4 pin socket alternative, inquire.

Check our website for alternative 2-1/4" shades.

Center mount to junction box.

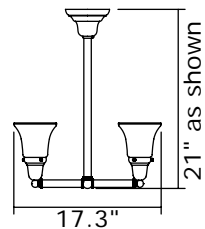
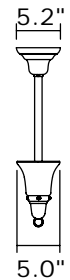
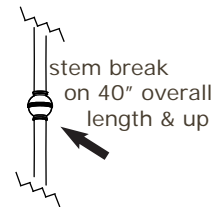
Specify overall length. Minimum overall length 13".

Angled ceiling version available, inquire.

UL listed dry location. Damp location available, inquire.

Durably constructed of solid brass.

Made in USA by Brass Light Gallery.

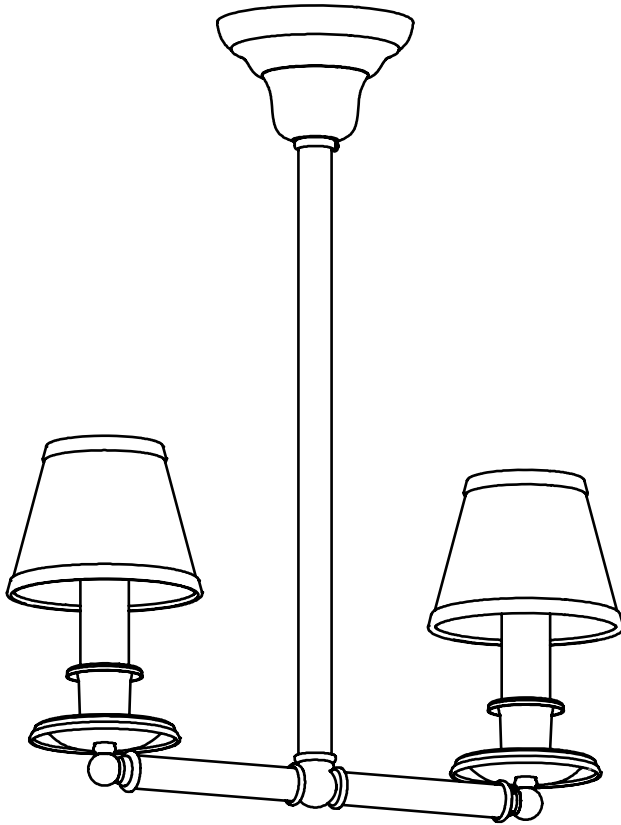


SHORELAND TWO LIGHT PENDANT

WITH ELECTRIC CANDLES

brasslightgallery.com 800-243-9595 sales@brasslight.com

Shoreland Family v1.0 page 26



**NEW
CLASSICS**
Handmade in USA

FINISHES - applied by hand.

Polished Nickel	Architectural Bronze
Brushed Nickel	Verdigris Patina
Black	Distressed Brass
Brushed Brass	Antique Copper
Polished Brass	Satin Antique Brass
Antique Nickel	Unlacquered Pol. Brass

Other finishes available for additional charge, inquire.

CN-431-B7-09M Shown with E220 shade

Medium base screw-in sockets (2) each accept 60 W max incandescent, compact fluorescent, or LED.

GU24 base bi-pin socket available. 277V 4 pin socket alternative, inquire.

Check online for alternative clip-on shades rated at 40 to 100 watts with this fixture.

Center mount to junction box.

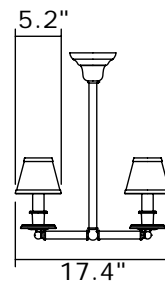
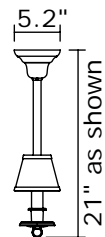
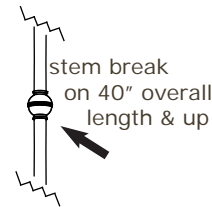
Specify overall length. Minimum overall length 16".

Angled ceiling version available, inquire.

UL listed dry location.

Durably constructed of solid brass.

Made in USA by Brass Light Gallery.



BRASS LIGHT GALLERY
• MILWAUKEE •

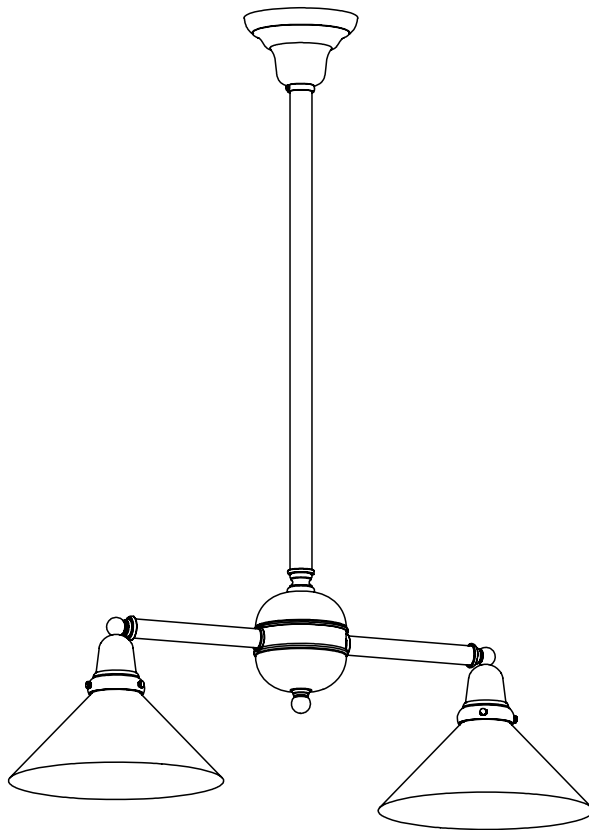
© 2012, Brass Light Gallery®

SHORELAND TWO LIGHT CHANDELIER

WITH 2-1/4" SHADE HOLDERS DOWN

brasslightgallery.com 800-243-9595 sales@brasslight.com

Shoreland Family v1.0 page 27



**NEW
CLASSICS**
Handmade in USA

FINISHES - applied by hand.

Polished Nickel	Architectural Bronze
Brushed Nickel	Verdigris Patina
Black	Distressed Brass
Brushed Brass	Antique Copper
Polished Brass	Satin Antique Brass
Antique Nickel	Unlacquered Pol. Brass

Other finishes available for additional charge, inquire.

CN-440-A4-03M Shown with A156 shade

Medium base screw-in sockets (2) each accept 150 W max incandescent, compact fluorescent, or LED.

GU24 base bi-pin socket available. 277V 4 pin socket alternative, inquire.

Check our website for alternative 2-1/4" shades.

Center mount to junction box.

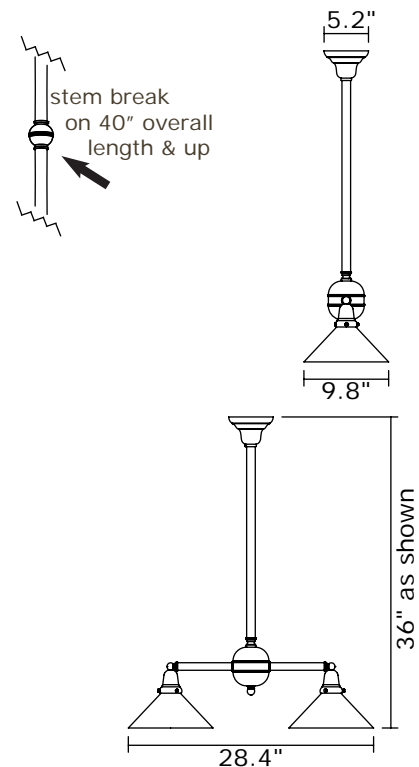
Specify overall length. Minimum overall length 15".

Angled ceiling version available, inquire.

UL listed dry location.

Durably constructed of solid brass.

Made in USA by Brass Light Gallery.



BRASS LIGHT GALLERY
• MILWAUKEE •

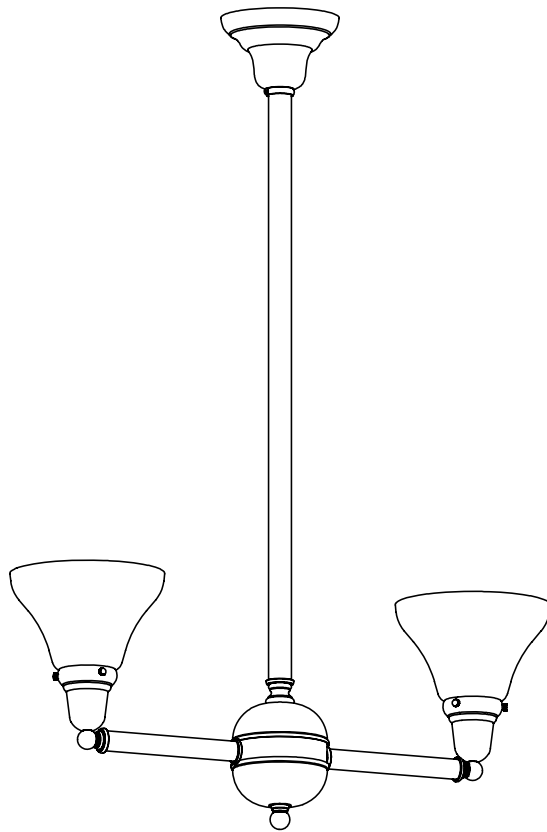
© 2012, Brass Light Gallery®

SHORELAND TWO LIGHT CHANDELIER

WITH 2-1/4" SHADE HOLDERS UP

brasslightgallery.com 800-243-9595 sales@brasslight.com

Shoreland Family v1.0 page 28



**NEW
CLASSICS**
Handmade in USA

FINISHES - applied by hand.

Polished Nickel	Architectural Bronze
Brushed Nickel	Verdigris Patina
Black	Distressed Brass
Brushed Brass	Antique Copper
Polished Brass	Satin Antique Brass
Antique Nickel	Unlacquered Pol. Brass

Other finishes available for additional charge, inquire.

CN-440-A4-09M Shown with A154 shade

Medium base screw-in sockets (2) each accept 150 W max incandescent, compact fluorescent, or LED.

GU24 base bi-pin socket available. 277V 4 pin socket alternative, inquire.

Check our website for alternative 2-1/4" shades.

Center mount to junction box.

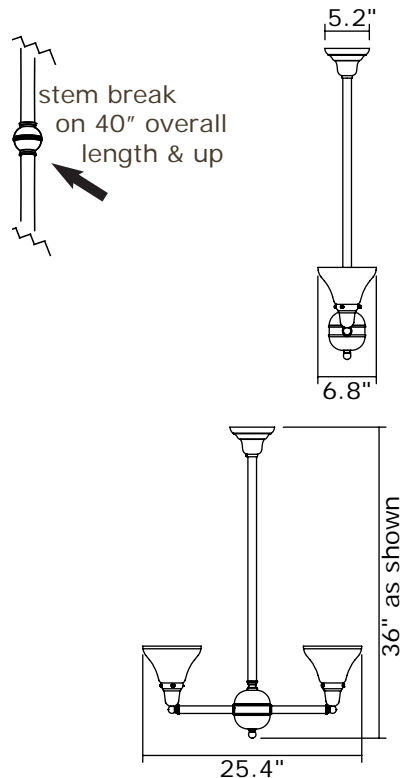
Specify overall length. Minimum overall length 15".

Angled ceiling version available, inquire.

UL listed dry location.

Durably constructed of solid brass.

Made in USA by Brass Light Gallery.



BRASS LIGHT GALLERY
• MILWAUKEE •

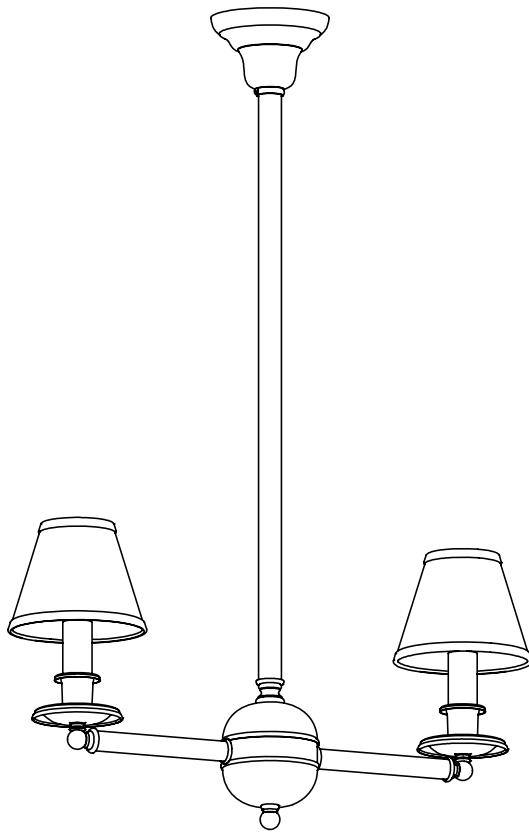
© 2012, Brass Light Gallery®

SHORELAND TWO LIGHT CHANDELIER

WITH ELECTRIC CANDLES

brasslightgallery.com 800-243-9595 sales@brasslight.com

Shoreland Family v1.0 page 29



**NEW
CLASSICS**
Handmade in USA

FINISHES - applied by hand.

Polished Nickel	Architectural Bronze
Brushed Nickel	Verdigris Patina
Black	Distressed Brass
Brushed Brass	Antique Copper
Polished Brass	Satin Antique Brass
Antique Nickel	Unlacquered Pol. Brass

Other finishes available for additional charge, inquire.

CN-440-B7-09M Shown with E210 shade

Medium base screw-in sockets (2) each accept 60 W max incandescent, compact fluorescent, or LED.

GU24 base bi-pin socket available. 277V 4 pin socket alternative, inquire.

Check online for alternative clip-on shades rated at 40 to 100 watts with this fixture.

Center mount to junction box.

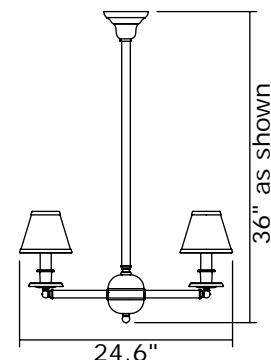
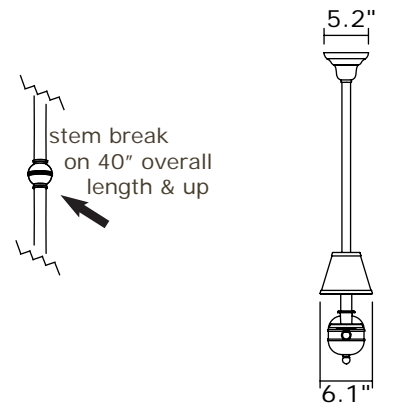
Specify overall length. Minimum overall length 15".

Angled ceiling version available, inquire.

UL listed dry location.

Durably constructed of solid brass.

Made in USA by Brass Light Gallery.



BRASS LIGHT GALLERY
• MILWAUKEE •

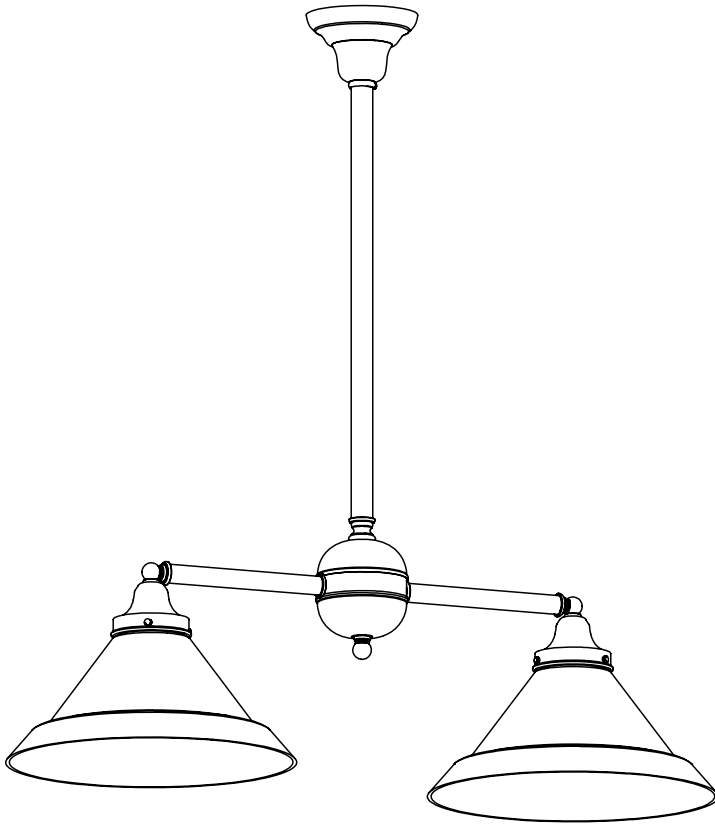
© 2012, Brass Light Gallery®

SHORELAND TWO LIGHT CHANDELIER

WITH 3-1/4" SHADE HOLDERS DOWN

brasslightgallery.com 800-243-9595 sales@brasslight.com

Shoreland Family v1.0 page 30



**NEW
CLASSICS**
Handmade in USA

FINISHES - applied by hand.

Polished Nickel	Architectural Bronze
Brushed Nickel	Verdigris Patina
Black	Distressed Brass
Brushed Brass	Antique Copper
Polished Brass	Satin Antique Brass
Antique Nickel	Unlacquered Pol. Brass

Other finishes available for additional charge, inquire.

CN-442-A5-03M Shown with B345 shade

Medium base screw-in sockets (2) each accept 150 W max incandescent, compact fluorescent, or LED.

GU24 base bi-pin socket available. 277V 4 pin socket alternative, inquire.

Check our website for alternative 3-1/4" shades.

Center mount to junction box.

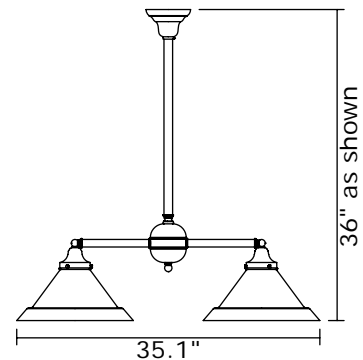
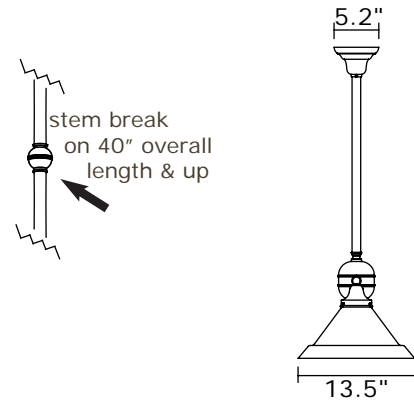
Specify overall length. Minimum overall length 15".

Angled ceiling version available, inquire.

UL listed dry location.

Durably constructed of solid brass.

Made in USA by Brass Light Gallery.



BRASS LIGHT GALLERY
• MILWAUKEE •

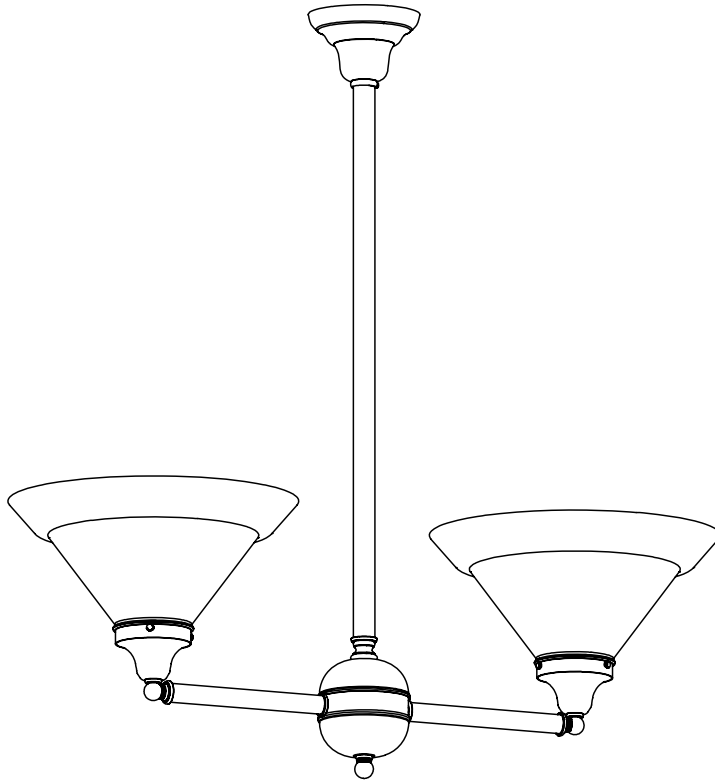
© 2012, Brass Light Gallery®

SHORELAND TWO LIGHT CHANDELIER

WITH 3-1/4" SHADE HOLDERS UP

brasslightgallery.com 800-243-9595 sales@brasslight.com

Shoreland Family v1.0 page 31



NEW CLASSICS
Handmade in USA

FINISHES - applied by hand.

Polished Nickel	Architectural Bronze
Brushed Nickel	Verdigris Patina
Black	Distressed Brass
Brushed Brass	Antique Copper
Polished Brass	Satin Antique Brass
Antique Nickel	Unlacquered Pol. Brass

Other finishes available for additional charge, inquire.

CN-442-A5-09M Shown with B345 shade

Medium base screw-in sockets (2) each accept 150 W max incandescent, compact fluorescent, or LED.

GU24 base bi-pin socket available. 277V 4 pin socket alternative, inquire.

Check our website for alternative 3-1/4" shades.

Center mount to junction box.

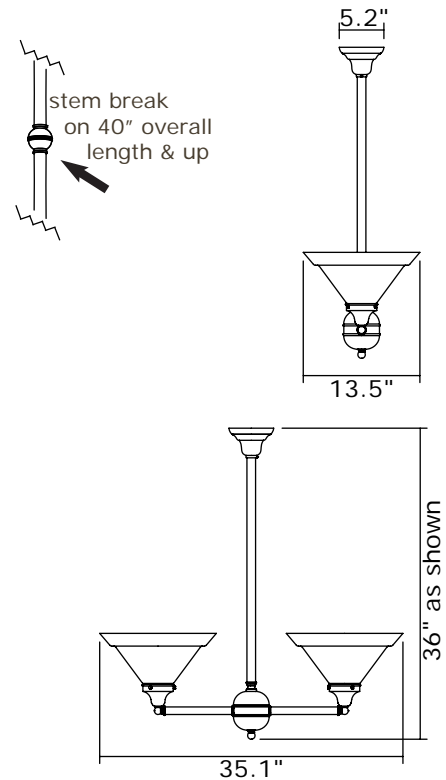
Specify overall length. Minimum overall length 15".

Angled ceiling version available, inquire.

UL listed dry location.

Durably constructed of solid brass.

Made in USA by Brass Light Gallery.

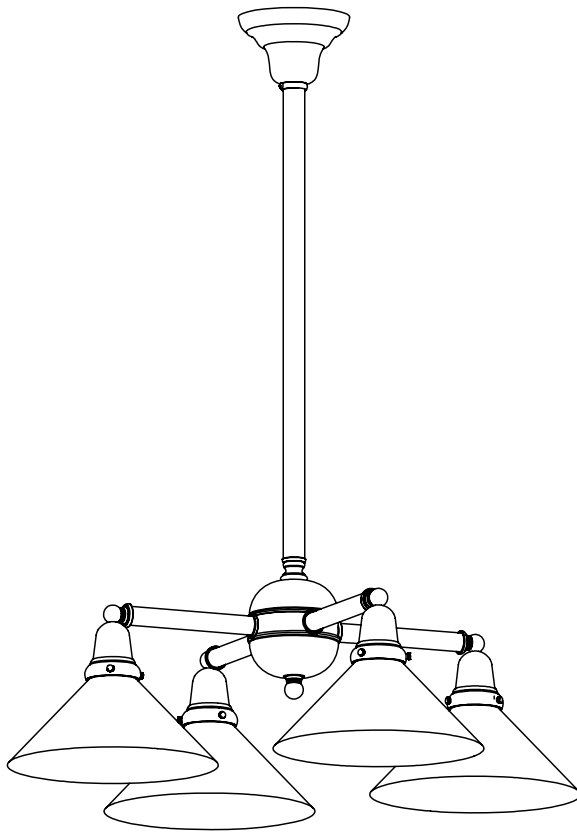


SHORELAND FOUR LIGHT CHANDELIER

WITH 2-1/4" SHADE HOLDERS DOWN

brasslightgallery.com 800-243-9595 sales@brasslight.com

Shoreland Family v1.0 page 32

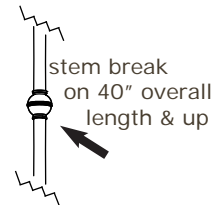


**NEW
CLASSICS**
Handmade in USA

FINISHES - applied by hand.

Polished Nickel	Architectural Bronze
Brushed Nickel	Verdigris Patina
Black	Distressed Brass
Brushed Brass	Antique Copper
Polished Brass	Satin Antique Brass
Antique Nickel	Unlacquered Pol. Brass

Other finishes available for additional charge, inquire.



CN-444-A4-03M Shown with A156 shade

Medium base screw-in sockets (4) each accept 150 W max incandescent, compact fluorescent, or LED.

GU24 base bi-pin socket available. 277V 4 pin socket alternative, inquire.

Check our website for alternative 2-1/4" shades.

Center mount to junction box.

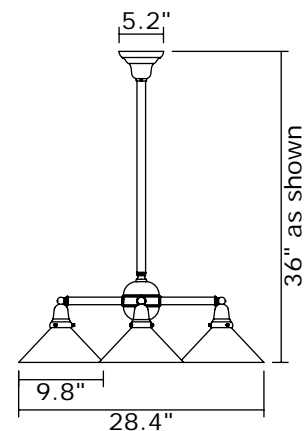
Specify overall length. Minimum overall length 15".

Angled ceiling version available, inquire.

UL listed dry location.

Durably constructed of solid brass.

Made in USA by Brass Light Gallery.



BRASS LIGHT GALLERY
• MILWAUKEE •

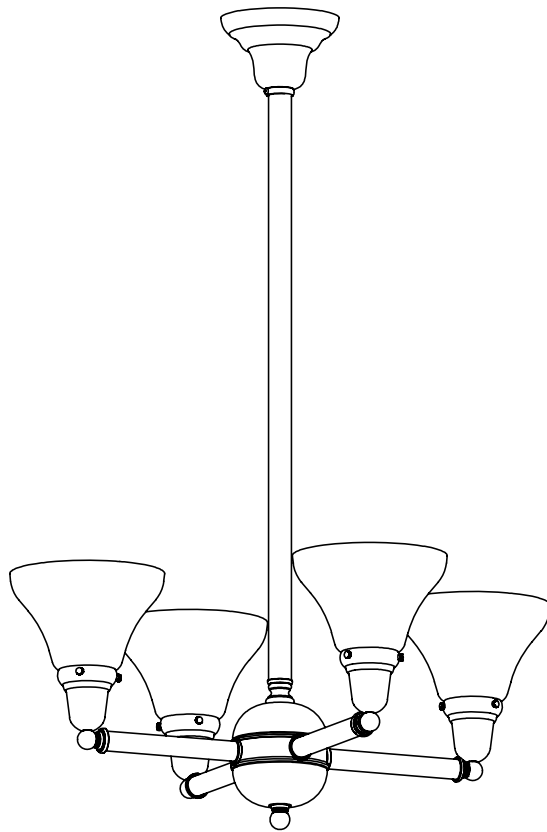
© 2012, Brass Light Gallery®

SHORELAND FOUR LIGHT CHANDELIER

WITH 2-1/4" SHADE HOLDERS UP

brasslightgallery.com 800-243-9595 sales@brasslight.com

Shoreland Family v1.0 page 33

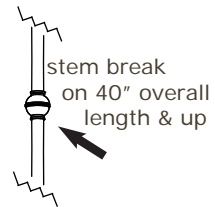


NEW CLASSICS
Handmade in USA

FINISHES - applied by hand.

Polished Nickel	Architectural Bronze
Brushed Nickel	Verdigris Patina
Black	Distressed Brass
Brushed Brass	Antique Copper
Polished Brass	Satin Antique Brass
Antique Nickel	Unlacquered Pol. Brass

Other finishes available for additional charge, inquire.



CN-444-A4-09M Shown with A154 shade

Medium base screw-in sockets (4) each accept 150 W max incandescent, compact fluorescent, or LED.

GU24 base bi-pin socket available. 277V 4 pin socket alternative, inquire.

Check our website for alternative 2-1/4" shades.

Center mount to junction box.

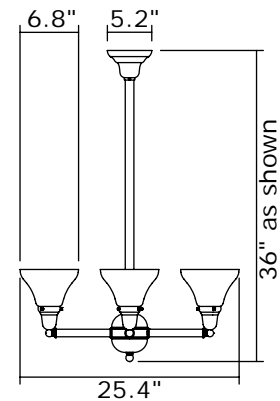
Specify overall length. Minimum overall length 15".

Angled ceiling version available, inquire.

UL listed dry location.

Durably constructed of solid brass.

Made in USA by Brass Light Gallery.



BRASS LIGHT GALLERY
• MILWAUKEE •

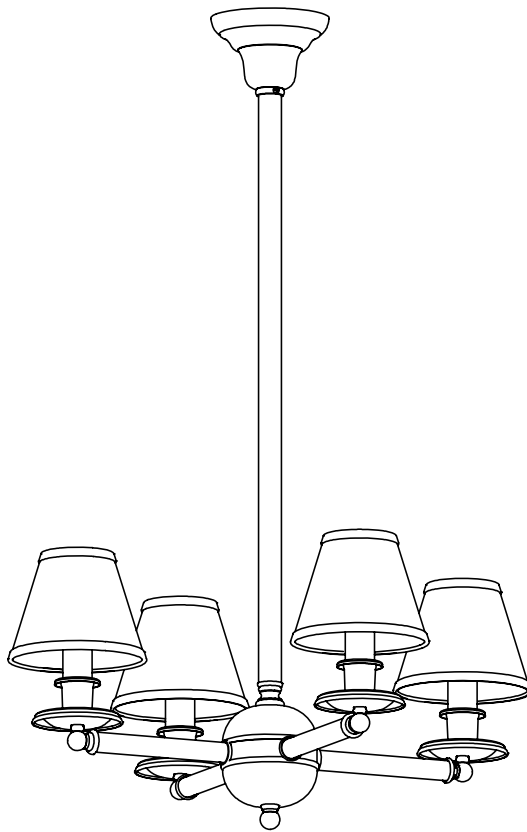
© 2012, Brass Light Gallery®

SHORELAND FOUR LIGHT CHANDELIER

WITH ELECTRIC CANDLES

brasslightgallery.com 800-243-9595 sales@brasslight.com

Shoreland Family v1.0 page 34

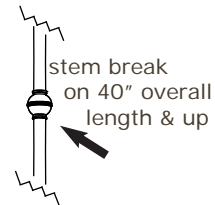


**NEW
CLASSICS**
Handmade in USA

FINISHES - applied by hand.

Polished Nickel	Architectural Bronze
Brushed Nickel	Verdigris Patina
Black	Distressed Brass
Brushed Brass	Antique Copper
Polished Brass	Satin Antique Brass
Antique Nickel	Unlacquered Pol. Brass

Other finishes available for additional charge, inquire.



CN-444-B7-09M Shown with E210 shade

Medium base screw-in sockets (4) each accept 75 W max incandescent, compact fluorescent, or LED.

GU24 base bi-pin socket available. 277V 4 pin socket alternative, inquire.

Check online for alternative clip-on shades rated at 40 to 100 watts with this fixture.

Center mount to junction box.

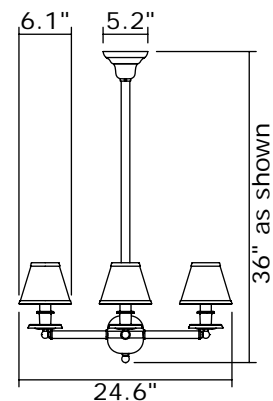
Specify overall length. Minimum overall length 15".

Angled ceiling version available, inquire.

UL listed dry location.

Durably constructed of solid brass.

Made in USA by Brass Light Gallery.



BRASS LIGHT GALLERY
• MILWAUKEE •

© 2012, Brass Light Gallery®

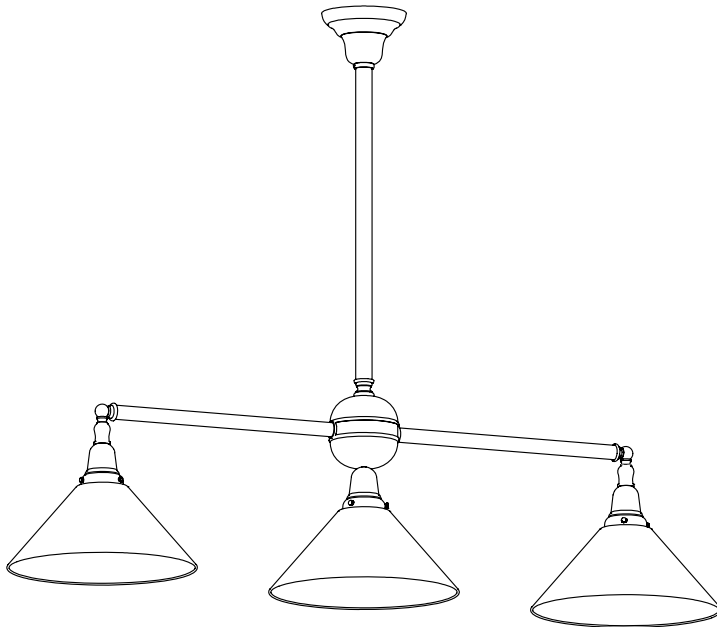
SHORELAND THREE LIGHT CHANDELIER

WITH 2-1/4" SHADE HOLDERS

brasslightgallery.com 800-243-9595 sales@brasslight.com

Shoreland Family v1.0 page 35

NEW CLASSICS
Handmade in USA



FINISHES - applied by hand.

Polished Nickel	Architectural Bronze
Brushed Nickel	Verdigris Patina
Black	Distressed Brass
Brushed Brass	Antique Copper
Polished Brass	Satin Antique Brass
Antique Nickel	Unlacquered Pol. Brass

Other finishes available for additional charge, inquire.

CN-446-A4-03M Shown with A330 shade

Medium base screw-in sockets (3) each accept 150 W max incandescent, compact fluorescent, or LED.

GU24 base bi-pin socket available. 277V 4 pin socket alternative, inquire.

Check our website for alternative 2-1/4" shades.

Center mount to junction box.

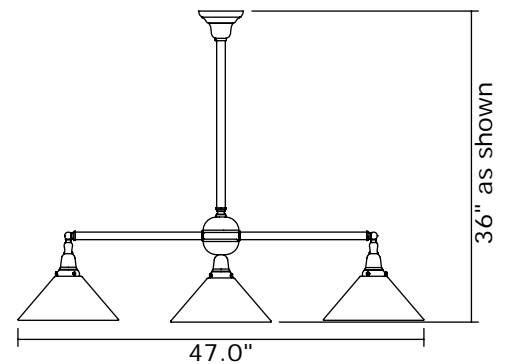
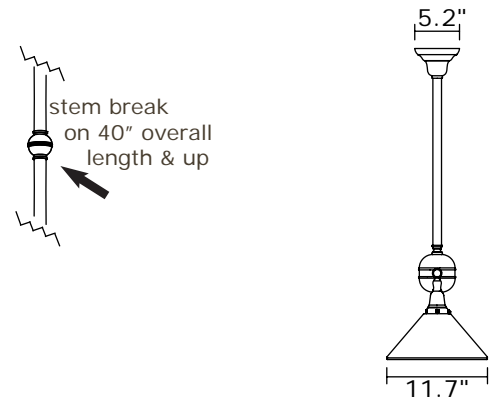
Specify overall length. Minimum overall length 18".

Angled ceiling version available, inquire.

UL listed dry location.

Durably constructed of solid brass.

Made in USA by Brass Light Gallery.



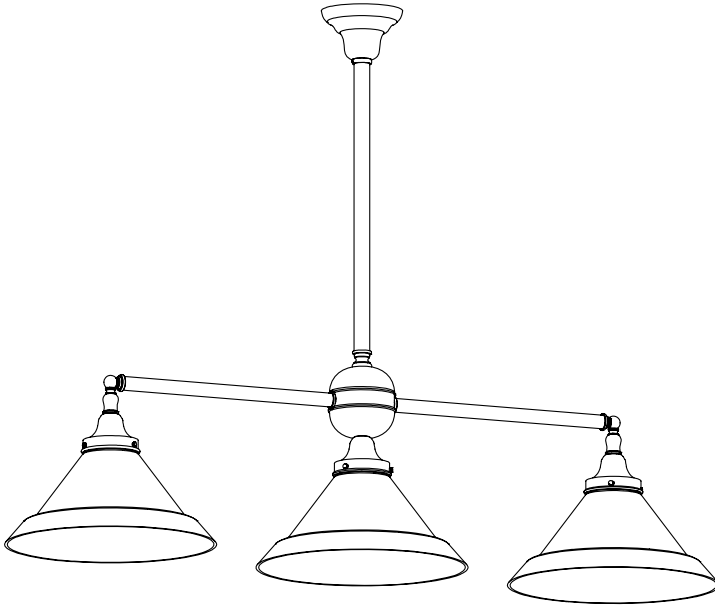
SHORELAND THREE LIGHT CHANDELIER

WITH 3-1/4" SHADE HOLDERS

brasslightgallery.com 800-243-9595 sales@brasslight.com

Shoreland Family v1.0 page 36

**NEW
CLASSICS**
Handmade in USA



FINISHES - applied by hand.

Polished Nickel	Architectural Bronze
Brushed Nickel	Verdigris Patina
Black	Distressed Brass
Brushed Brass	Antique Copper
Polished Brass	Satin Antique Brass
Antique Nickel	Unlacquered Pol. Brass

Other finishes available for additional charge, inquire.

CN-446-A5-03M Shown with B345 shade

Medium base screw-in sockets (3) each accept 150 W max incandescent, compact fluorescent, or LED.

GU24 base bi-pin socket available. 277V 4 pin socket alternative, inquire.

Check our website for alternative 3-1/4" shades.

Center mount to junction box.

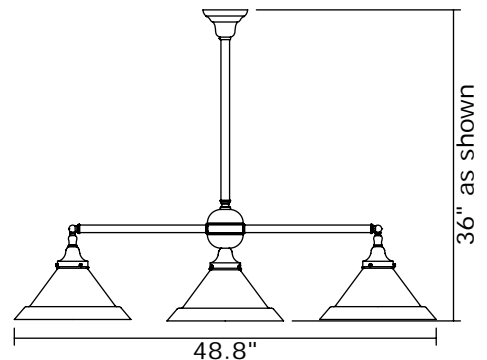
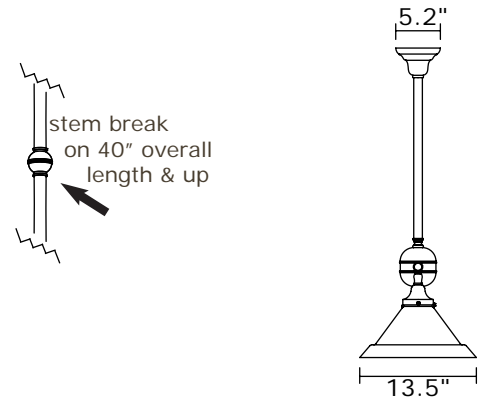
Specify overall length. Minimum overall length 17".

Angled ceiling version available, inquire.

UL listed dry location.

Durably constructed of solid brass.

Made in USA by Brass Light Gallery.



BRASS LIGHT GALLERY
• MILWAUKEE •

© 2012, Brass Light Gallery®

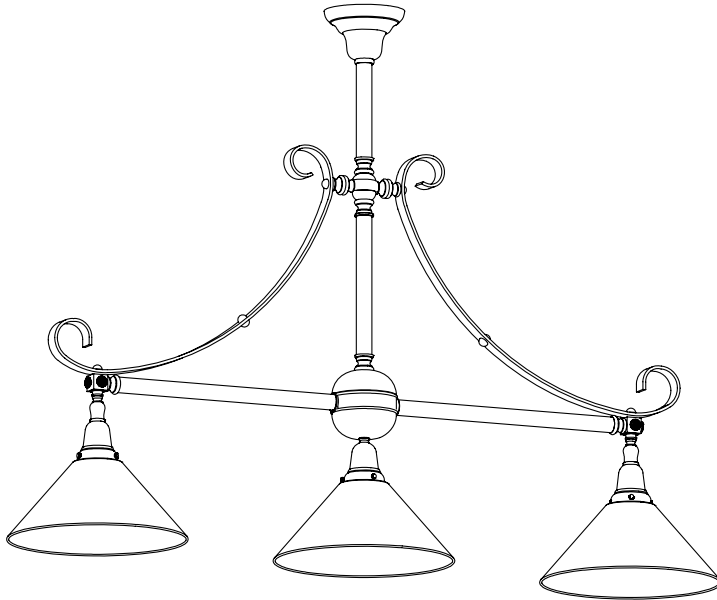
SHORELAND THREE LIGHT SCROLL CHANDELIER

WITH 2-1/4" SHADE HOLDERS

brasslightgallery.com 800-243-9595 sales@brasslight.com

Shoreland Family v1.0 page 37

**NEW
CLASSICS**
Handmade in USA



FINISHES - applied by hand.

Polished Nickel	Architectural Bronze
Brushed Nickel	Verdigris Patina
Black	Distressed Brass
Brushed Brass	Antique Copper
Polished Brass	Satin Antique Brass
Antique Nickel	Unlacquered Pol. Brass

Other finishes available for additional charge, inquire.

CN-450-A4-03M Shown with A330 shade

Medium base screw-in sockets (3) each accept 150 W max incandescent, compact fluorescent, or LED.

GU24 base bi-pin socket available. 277V 4 pin socket alternative, inquire.

Check our website for alternative 2-1/4" shades.

Center mount to junction box.

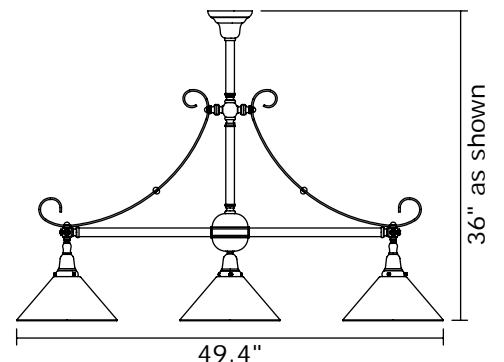
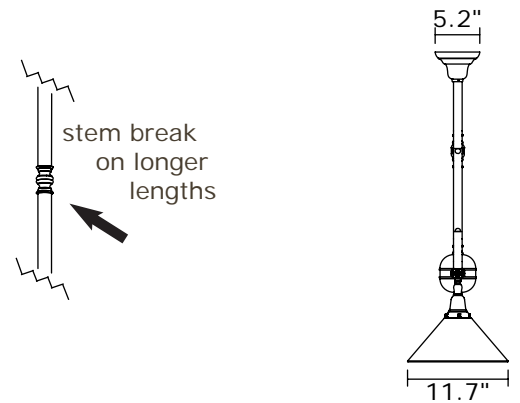
Specify overall length. Minimum overall length 25".

Angled ceiling version available, inquire.

UL listed dry location.

Durably constructed of solid brass.

Made in USA by Brass Light Gallery.



BRASS LIGHT GALLERY
• MILWAUKEE •

© 2012, Brass Light Gallery®

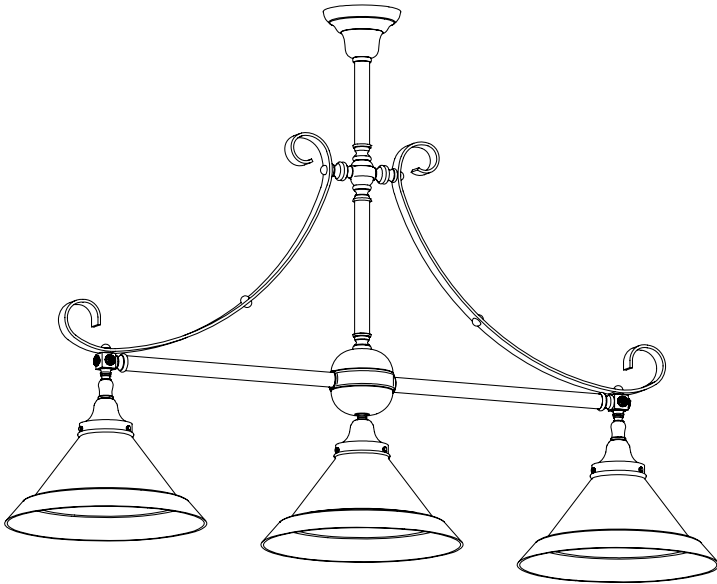
SHORELAND THREE LIGHT SCROLL CHANDELIER

WITH 3-1/4" SHADE HOLDERS

brasslightgallery.com 800-243-9595 sales@brasslight.com

Shoreland Family v1.0 page 38

**NEW
CLASSICS**
Handmade in USA



FINISHES - applied by hand.

Polished Nickel	Architectural Bronze
Brushed Nickel	Verdigris Patina
Black	Distressed Brass
Brushed Brass	Antique Copper
Polished Brass	Satin Antique Brass
Antique Nickel	Unlacquered Pol. Brass

Other finishes available for additional charge, inquire.

CN-450-A5-03M Shown with B345 shade

Medium base screw-in sockets (3) each accept 150 W max incandescent, compact fluorescent, or LED.

GU24 base bi-pin socket available. 277V 4 pin socket alternative, inquire.

Check our website for alternative 3-1/4" shades.

Center mount to junction box.

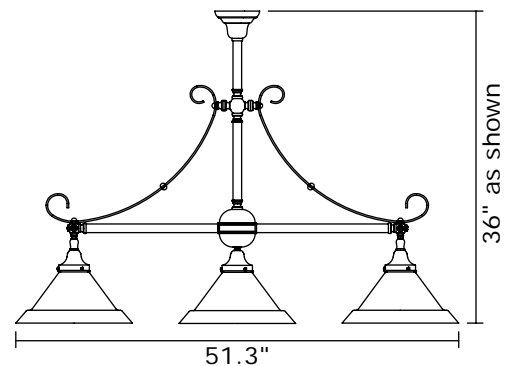
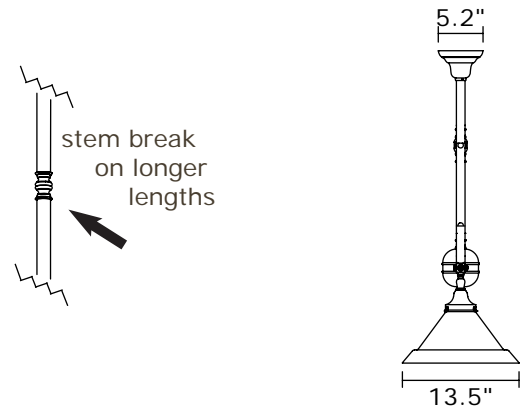
Specify overall length. Minimum overall length 25".

Angled ceiling version available, inquire.

UL listed dry location.

Durably constructed of solid brass.

Made in USA by Brass Light Gallery.



BRASS LIGHT GALLERY
• MILWAUKEE •

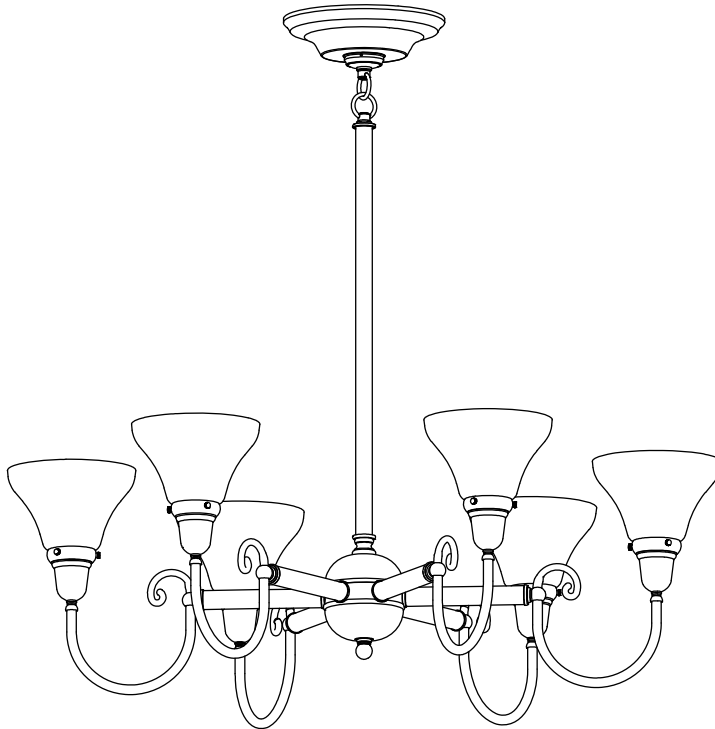
© 2012, Brass Light Gallery®

SHORELAND SIX LIGHT CHANDELIER

WITH 2-1/4" SHADE HOLDERS

brasslightgallery.com 800-243-9595 sales@brasslight.com

Shoreland Family v1.0 page 39

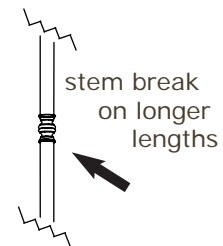


**NEW
CLASSICS**
Handmade in USA

FINISHES - applied by hand.

Polished Nickel	Architectural Bronze
Brushed Nickel	Verdigris Patina
Black	Distressed Brass
Brushed Brass	Antique Copper
Polished Brass	Satin Antique Brass
Antique Nickel	Unlacquered Pol. Brass

Other finishes available for additional charge, inquire.



CN-492-A4-10M Shown with A154 shade

Medium base screw-in sockets (6) each accept 150 W max incandescent, compact fluorescent, or LED.

GU24 base bi-pin socket available. 277V 4 pin socket alternative, inquire.

Check our website for alternative 2-1/4" shades.

Center mount to junction box.

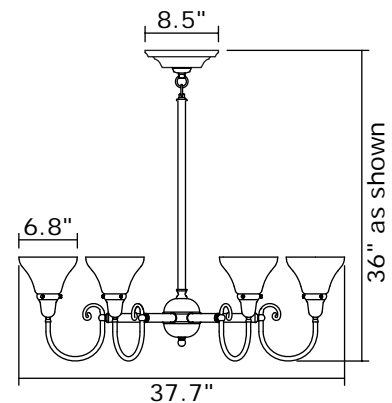
Specify overall length. Minimum overall length 16".

Mount to flat or to angled ceiling.

UL listed dry location.

Durably constructed of solid brass.

Made in USA by Brass Light Gallery.



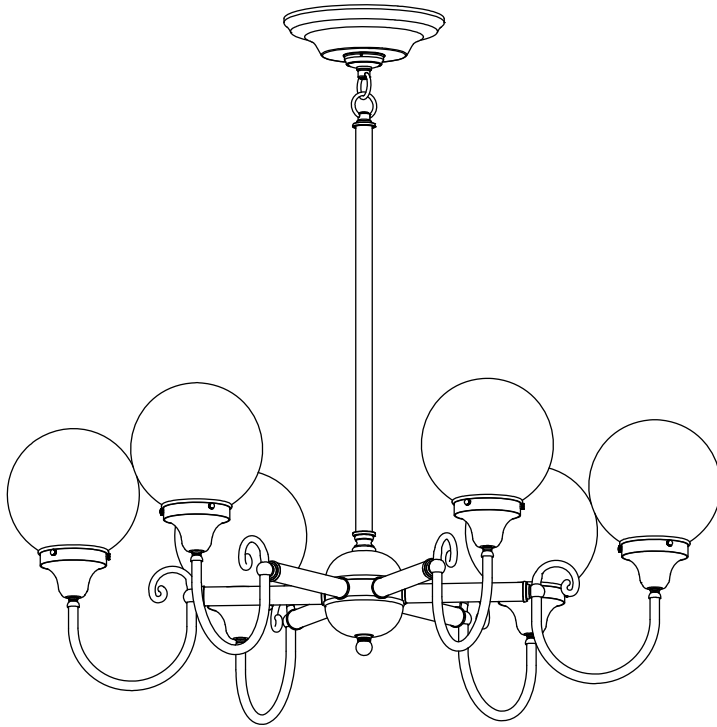
BRASS LIGHT GALLERY
• MILWAUKEE •

© 2012, Brass Light Gallery®

SHORELAND SIX LIGHT CHANDELIER

WITH 3-1/4" SHADE HOLDERS

brasslightgallery.com 800-243-9595 sales@brasslight.com

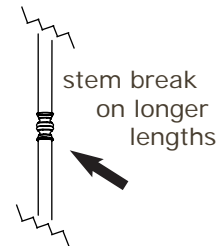


**NEW
CLASSICS**
Handmade in USA

FINISHES - applied by hand.

Polished Nickel	Architectural Bronze
Brushed Nickel	Verdigris Patina
Black	Distressed Brass
Brushed Brass	Antique Copper
Polished Brass	Satin Antique Brass
Antique Nickel	Unlacquered Pol. Brass

Other finishes available for additional charge, inquire.



CN-492-A5-10M Shown with B312 shade

Medium base screw-in sockets (6) each accept 150 W max incandescent, compact fluorescent, or LED.

GU24 base bi-pin socket available. 277V 4 pin socket alternative, inquire.

Check our website for alternative 3-1/4" shades.

Center mount to junction box.

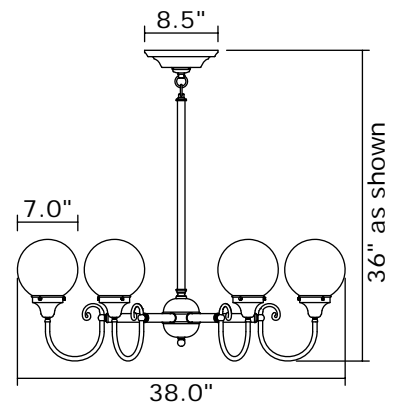
Specify overall length. Minimum overall length 16".

Mount to flat or to angled ceiling.

UL listed dry location.

Durably constructed of solid brass.

Made in USA by Brass Light Gallery.



Shoreland Family v1.0 page 40

BRASS LIGHT GALLERY
• MILWAUKEE •

© 2012, Brass Light Gallery®

SHORELAND SIX LIGHT CHANDELIER

WITH ELECTRIC CANDLES

brasslightgallery.com 800-243-9595 sales@brasslight.com

Shoreland Family v1.0 page 41



**NEW
CLASSICS**
Handmade in USA

FINISHES - applied by hand.

Polished Nickel	Architectural Bronze
Brushed Nickel	Verdigris Patina
Black	Distressed Brass
Brushed Brass	Antique Copper
Polished Brass	Satin Antique Brass
Antique Nickel	Unlacquered Pol. Brass

Other finishes available for additional charge, inquire.

CN-492-B7-10M Shown with F248 shade

Medium base screw-in sockets (6) each accept 100 W max incandescent, compact fluorescent, or LED.

GU24 base bi-pin socket available. 277V 4 pin socket alternative, inquire.

Check online for alternative clip-on shades rated at 40 to 100 watts with this fixture.

Center mount to junction box.

Specify overall length. Minimum overall length 17".

Mount to flat or to angled ceiling.

UL listed dry location.

Durably constructed of solid brass.

Made in USA by Brass Light Gallery.



BRASS LIGHT GALLERY
• MILWAUKEE •

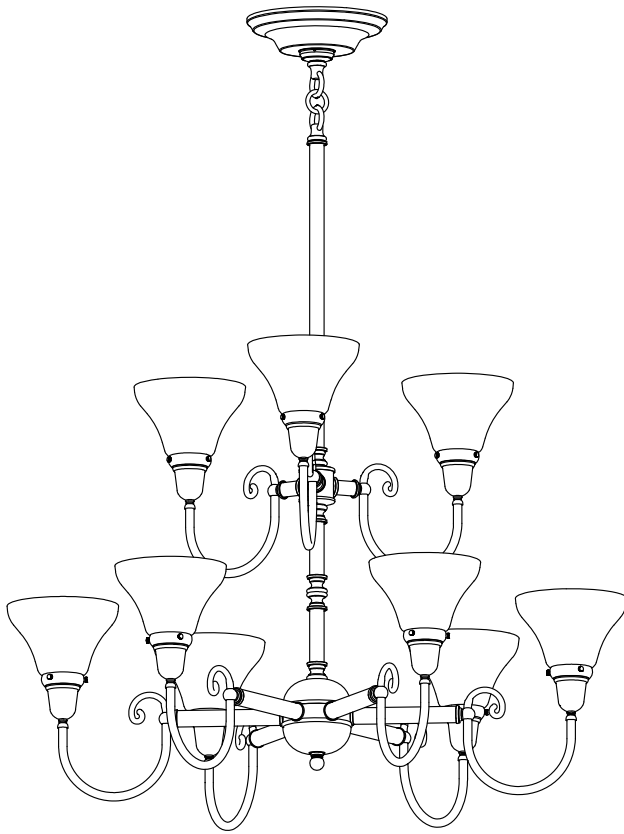
© 2012, Brass Light Gallery®

SHORELAND NINE LIGHT TWO TIER CHANDELIER

WITH 2-1/4" SHADE HOLDERS

brasslightgallery.com 800-243-9595 sales@brasslight.com

Shoreland Family v1.0 page 42

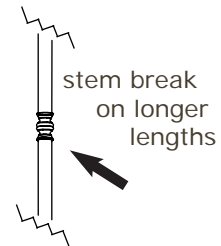


**NEW
CLASSICS**
Handmade in USA

FINISHES - applied by hand.

Polished Nickel	Architectural Bronze
Brushed Nickel	Verdigris Patina
Black	Distressed Brass
Brushed Brass	Antique Copper
Polished Brass	Satin Antique Brass
Antique Nickel	Unlacquered Pol. Brass

Other finishes available for additional charge, inquire.



CN-493-A4-10M Shown with A154 shade

Medium base screw-in sockets (9) each accept 150 W max incandescent, compact fluorescent, or LED.

GU24 base bi-pin socket available. 277V 4 pin socket alternative, inquire.

Check our website for alternative 2-1/4" shades.

Center mount to junction box.

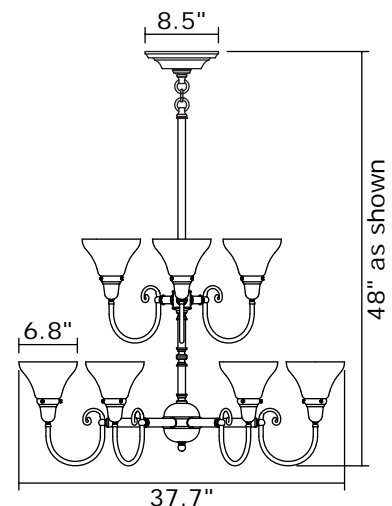
Specify overall length. Minimum overall length 32".

Mount to flat or to angled ceiling.

UL listed dry location.

Durably constructed of solid brass.

Made in USA by Brass Light Gallery.



BRASS LIGHT GALLERY
• MILWAUKEE •

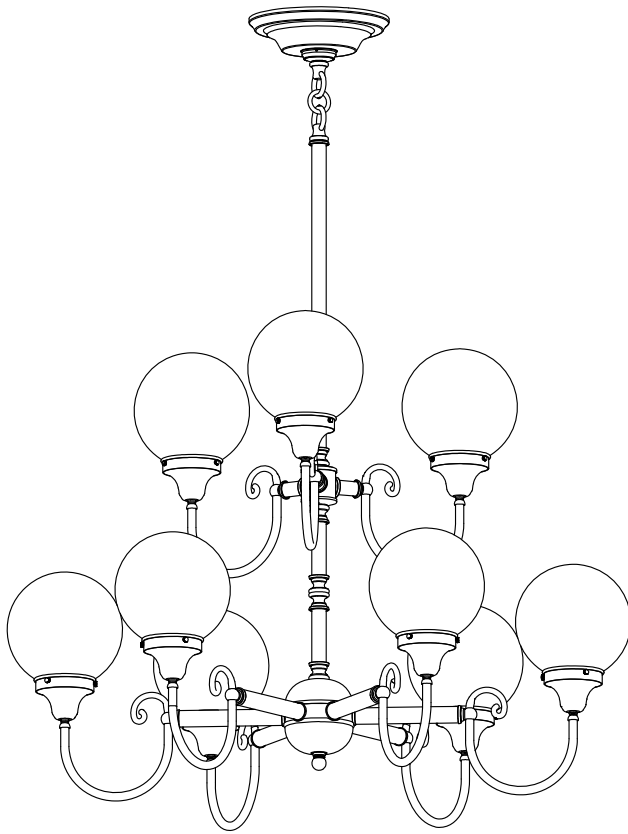
© 2012, Brass Light Gallery®

SHORELAND NINE LIGHT TWO TIER CHANDELIER

WITH 3-1/4" SHADE HOLDERS

brasslightgallery.com 800-243-9595 sales@brasslight.com

Shoreland Family v1.0 page 43

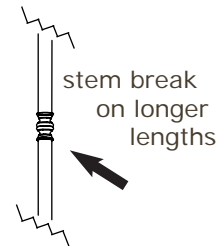


**NEW
CLASSICS**
Handmade in USA

FINISHES - applied by hand.

Polished Nickel	Architectural Bronze
Brushed Nickel	Verdigris Patina
Black	Distressed Brass
Brushed Brass	Antique Copper
Polished Brass	Satin Antique Brass
Antique Nickel	Unlacquered Pol. Brass

Other finishes available for additional charge, inquire.



CN-493-A5-10M Shown with B312 shade

Medium base screw-in sockets (9) each accept 150 W max incandescent, compact fluorescent, or LED.

GU24 base bi-pin socket available. 277V 4 pin socket alternative, inquire.

Check our website for alternative 3-1/4" shades.

Center mount to junction box.

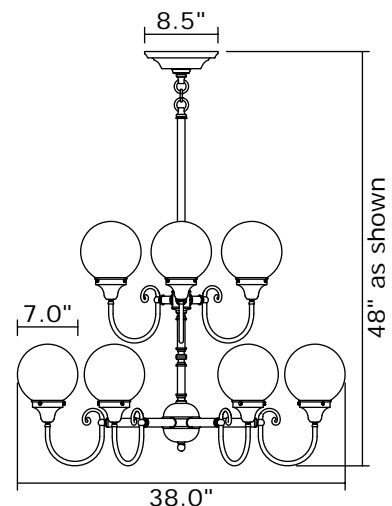
Specify overall length. Minimum overall length 32".

Mount to flat or to angled ceiling.

UL listed dry location.

Durably constructed of solid brass.

Made in USA by Brass Light Gallery.



BRASS LIGHT GALLERY
• MILWAUKEE •

© 2012, Brass Light Gallery®

SHORELAND NINE LIGHT TWO TIER CHANDELIER

WITH ELECTRIC CANDLES

brasslightgallery.com 800-243-9595 sales@brasslight.com

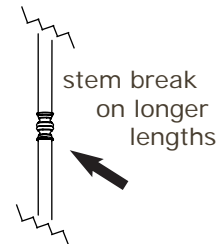


**NEW
CLASSICS**
Handmade in USA

FINISHES - applied by hand.

Polished Nickel	Architectural Bronze
Brushed Nickel	Verdigris Patina
Black	Distressed Brass
Brushed Brass	Antique Copper
Polished Brass	Satin Antique Brass
Antique Nickel	Unlacquered Pol. Brass

Other finishes available for additional charge, inquire.



CN-493-B7-10M Shown with F248 shade

Medium base screw-in sockets (9) each accept 100 W max incandescent, compact fluorescent, or LED.

GU24 base bi-pin socket available. 277V 4 pin socket alternative, inquire.

Check online for alternative clip-on shades rated at 40 to 100 watts with this fixture.

Center mount to junction box.

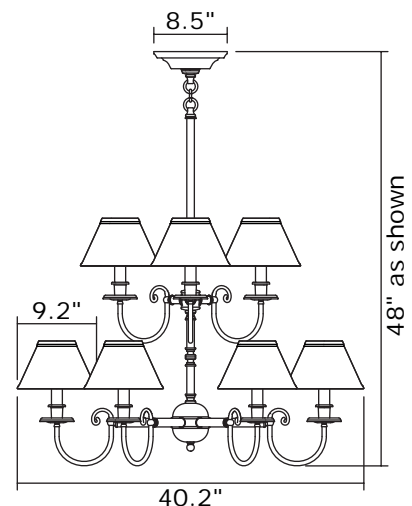
Specify overall length. Minimum overall length 32".

Angled ceiling version available, inquire.

UL listed dry location.

Durably constructed of solid brass.

Made in USA by Brass Light Gallery.



Shoreland Family v1.0 page 44

BRASS LIGHT GALLERY
• MILWAUKEE •

© 2012, Brass Light Gallery®