

SHERATON™ FAMILY

The Sheraton interior lighting fixture family offers the quality and detail of a solid cast brass mounting plate. Sheraton wall light fixtures feature a smooth center with roped border and draped leaf crest. Appropriate for smaller, moderately sized rooms.

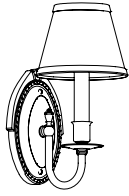


NEW
CLASSICS

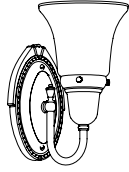
Handmade in USA

SHERATON™ FAMILY

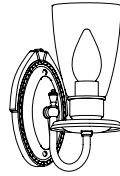
INTERIOR LIGHTING FIXTURES



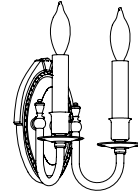
CN-120-A1



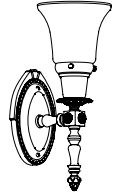
CN-120-A4



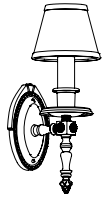
CN-120-C3



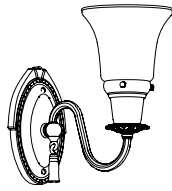
CN-121-A1



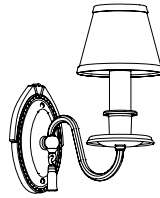
CN-122-A4



CN-122-B7



CN-123-A4



CN-123-B7



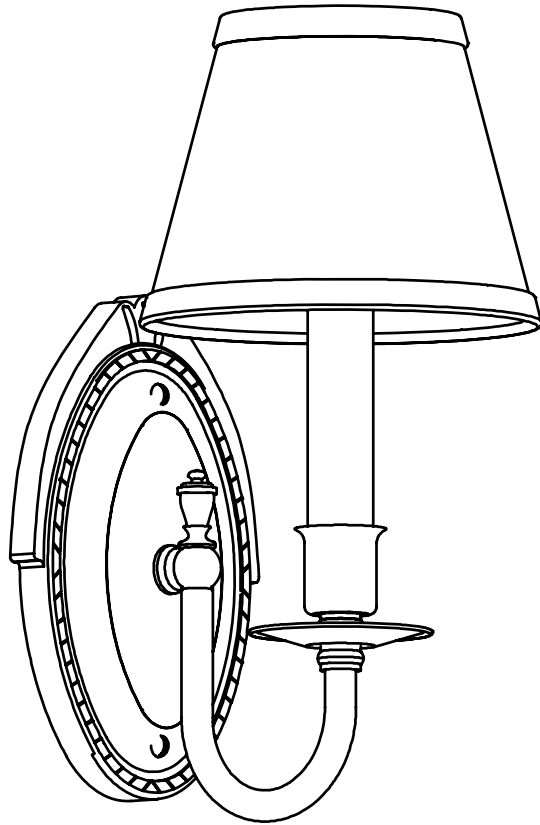
CN-480-B7-05M

SHERATON™ ONE LIGHT CURVED ARM SCONCE

WITH ELECTRIC CANDLE

brasslightgallery.com 800-243-9595 sales@brasslight.com

Sheraton Family v1.0 page 3



**NEW
CLASSICS™**
Handmade in USA

FINISHES - applied by hand.

Polished Nickel	Architectural Bronze
Brushed Nickel	Verdigris Patina
Black	Distressed Brass
Brushed Brass	Antique Copper
Polished Brass	Satin Antique Brass
Antique Nickel	Unlacquered Pol. Brass
Vintage Nickel	Architectural Iron

CN-120-A1 Shown with E220 shade(s)

Candelabra base screw-in socket (1) accepts 60 W max incandescent, compact fluorescent, or LED.

Check our website for alternative clip-on shades.

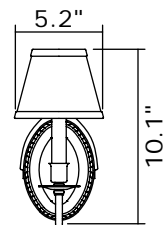
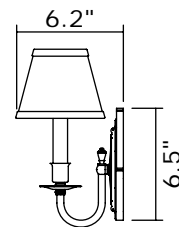
Mounting plate center mounts to junction box.

Mount candle up.

UL listed dry location.

Durably constructed of solid brass.

Made in USA by Brass Light Gallery.

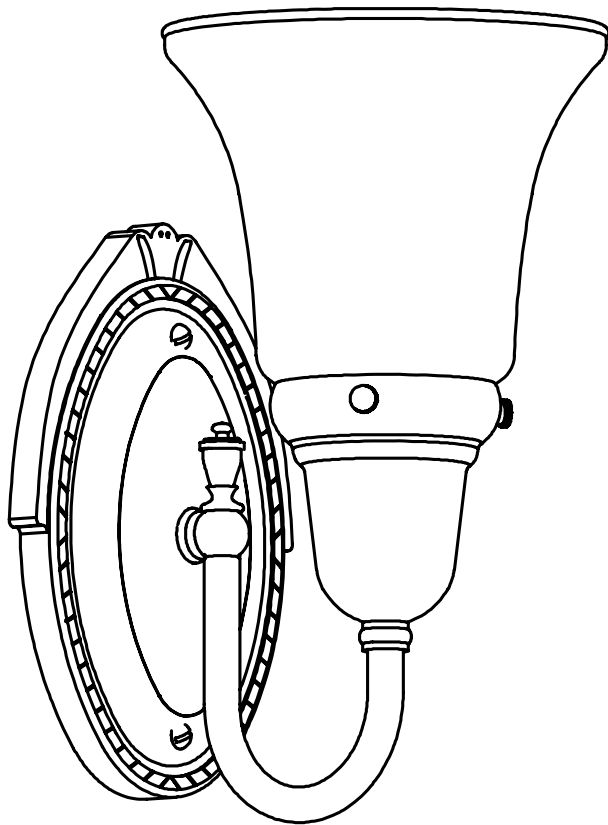


BRASS LIGHT GALLERY
• MILWAUKEE •

© 2013, Brass Light Gallery®

SHERATON™ ONE LIGHT CURVED ARM SCONCE

WITH 2-1/4" SHADE HOLDER



**NEW
CLASSICS™**
Handmade in USA

FINISHES - applied by hand.

Polished Nickel	Architectural Bronze
Brushed Nickel	Verdigris Patina
Black	Distressed Brass
Brushed Brass	Antique Copper
Polished Brass	Satin Antique Brass
Antique Nickel	Unlacquered Pol. Brass
Vintage Nickel	Architectural Iron

CN-120-A4 Shown with A151 shade(s)

Medium base screw-in socket (1) accepts 150 W max incandescent, compact fluorescent, or LED.

GU24 base bi-pin socket available. 277V 4 pin socket alternative, inquire.

Check our website for alternative 2-1/4" shades.

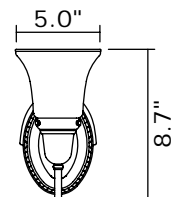
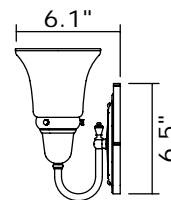
Mounting plate center mounts to junction box.

Mount glass up or glass down.

UL listed dry location. Damp location available, inquire.

Durably constructed of solid brass.

Made in USA by Brass Light Gallery.

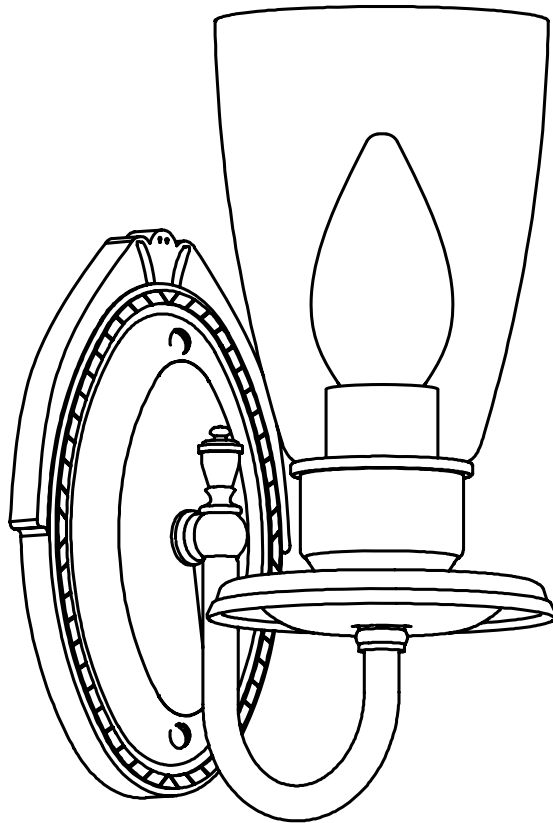


SHERATON™ ONE LIGHT CURVED ARM SCONCE

WITH HURRICANE SHADE HOLDER

brasslightgallery.com 800-243-9595 sales@brasslight.com

Sheraton Family v1.0 page 5



**NEW
CLASSICS™**
Handmade in USA

FINISHES - applied by hand.

Polished Nickel	Architectural Bronze
Brushed Nickel	Verdigris Patina
Black	Distressed Brass
Brushed Brass	Antique Copper
Polished Brass	Satin Antique Brass
Antique Nickel	Unlacquered Pol. Brass
Vintage Nickel	Architectural Iron

CN-120-C3 Shown with K109 shade(s)

Medium base screw-in socket (1) accepts 60 W max incandescent, compact fluorescent, or LED.

GU24 base bi-pin socket available. 277V 4 pin socket alternative, inquire.

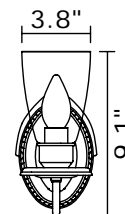
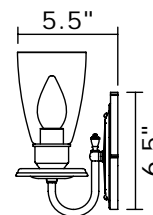
Mounting plate center mounts to junction box.

Mount up only.

UL listed dry location. Damp location available, inquire.

Durably constructed of solid brass.

Made in USA by Brass Light Gallery.

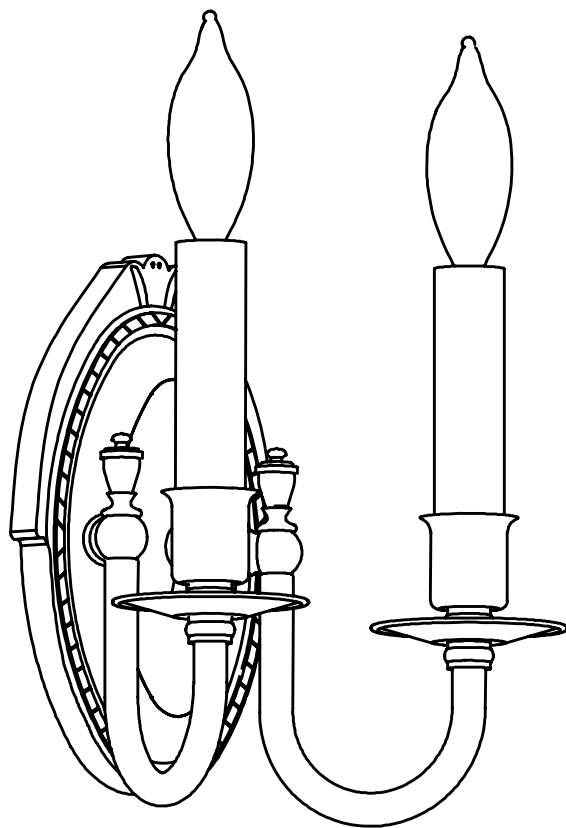


SHERATON™ TWO LIGHT CURVED ARM SCONCE

WITH ELECTRIC CANDLES

brasslightgallery.com 800-243-9595 sales@brasslight.com

Sheraton Family v1.0 page 6



**NEW
CLASSICS™**
Handmade in USA

FINISHES - applied by hand.

Polished Nickel	Architectural Bronze
Brushed Nickel	Verdigris Patina
Black	Distressed Brass
Brushed Brass	Antique Copper
Polished Brass	Satin Antique Brass
Antique Nickel	Unlacquered Pol. Brass
Vintage Nickel	Architectural Iron

CN-121-A1 Shown without shade(s)

Candelabra base screw-in sockets (2) each accept 60 W max incandescent, compact fluorescent, or LED.

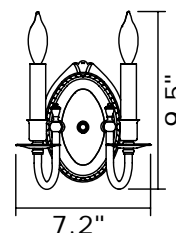
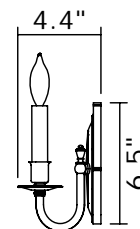
Mounting plate center mounts to junction box.

Mount candle up.

UL listed dry location.

Durably constructed of solid brass.

Made in USA by Brass Light Gallery.

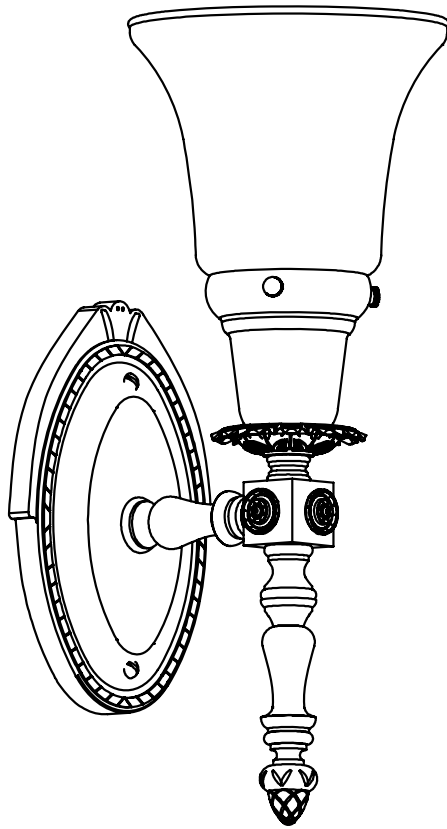


BRASS LIGHT GALLERY
• MILWAUKEE •

© 2013, Brass Light Gallery®

SHERATON™ ONE LIGHT STRAIGHT ARM SCONCE

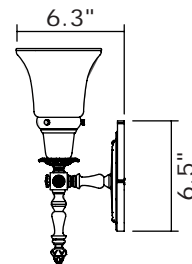
WITH 2-1/4" SHADE HOLDER



**NEW
CLASSICS™**
Handmade in USA

FINISHES - applied by hand.

Polished Nickel	Architectural Bronze
Brushed Nickel	Verdigris Patina
Black	Distressed Brass
Brushed Brass	Antique Copper
Polished Brass	Satin Antique Brass
Antique Nickel	Unlacquered Pol. Brass
Vintage Nickel	Architectural Iron



CN-122-A4 Shown with A151 shade(s)

Medium base screw-in socket (1) accepts 150 W max incandescent, compact fluorescent, or LED.

GU24 base bi-pin socket available. 277V 4 pin socket alternative, inquire.

Check our website for alternative 2-1/4" shades.

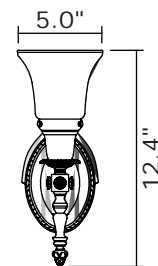
Mounting plate center mounts to junction box.

Mount up only.

UL listed dry location. Damp location available, inquire.

Durably constructed of solid brass.

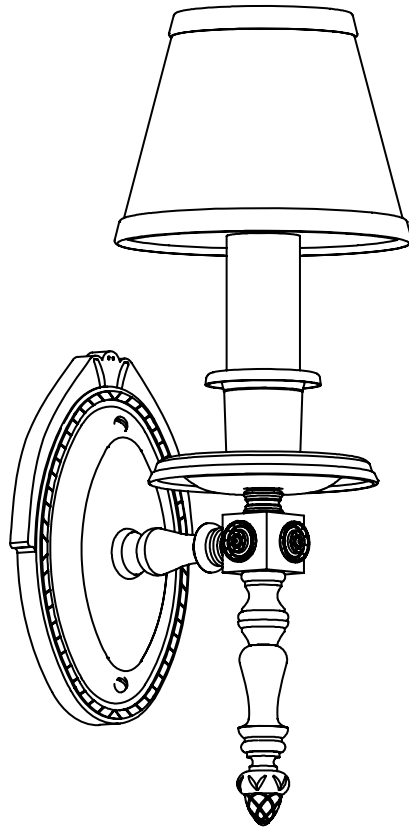
Made in USA by Brass Light Gallery.



SHERATON™ ONE LIGHT STRAIGHT ARM SCONCE

WITH ELECTRIC CANDLE

brasslightgallery.com 800-243-9595 sales@brasslight.com



**NEW
CLASSICS™**
Handmade in USA

FINISHES - applied by hand.

Polished Nickel	Architectural Bronze
Brushed Nickel	Verdigris Patina
Black	Distressed Brass
Brushed Brass	Antique Copper
Polished Brass	Satin Antique Brass
Antique Nickel	Unlacquered Pol. Brass
Vintage Nickel	Architectural Iron

CN-122-B7 Shown with E220 shade(s)

Medium base screw-in socket (1) accepts 60 W max incandescent, compact fluorescent, or LED.

GU24 base bi-pin socket available. 277V 4 pin socket alternative, inquire.

Check online for alternative clip-on shades rated at 40 to 100 watts with this fixture.

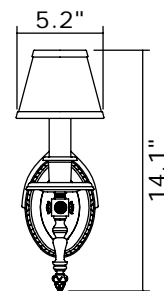
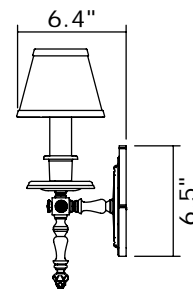
Mounting plate center mounts to junction box.

Mount candle up.

UL listed dry location.

Durably constructed of solid brass.

Made in USA by Brass Light Gallery.



Sheraton Family v1.0 page 8

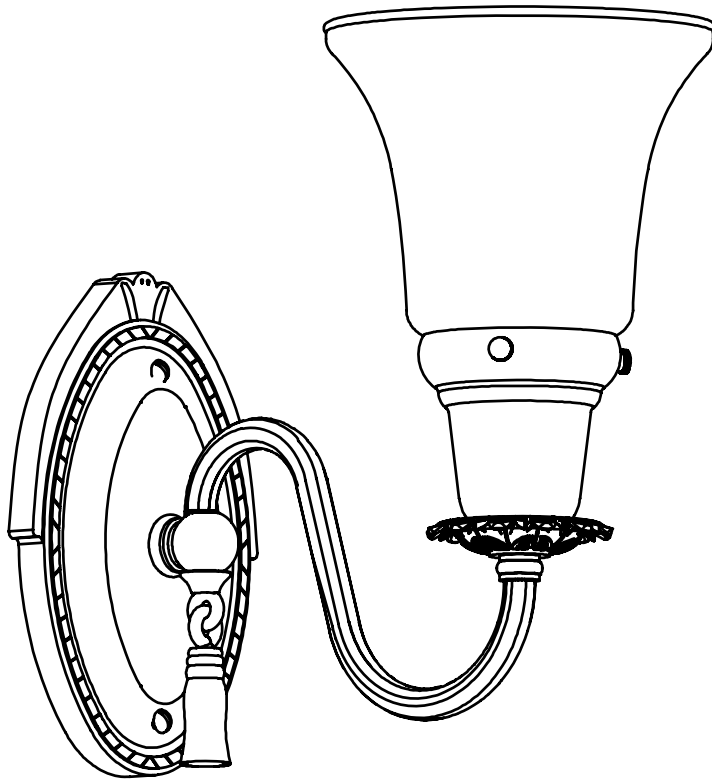
BRASS LIGHT GALLERY
• MILWAUKEE •

© 2013, Brass Light Gallery®

SHERATON™ ONE LIGHT TASSEL SCONCE

WITH 2-1/4" SHADE HOLDER UP

brasslightgallery.com 800-243-9595 sales@brasslight.com



**NEW
CLASSICS™**
Handmade in USA

FINISHES - applied by hand.

Polished Nickel	Architectural Bronze
Brushed Nickel	Verdigris Patina
Black	Distressed Brass
Brushed Brass	Antique Copper
Polished Brass	Satin Antique Brass
Antique Nickel	Unlacquered Pol. Brass
Vintage Nickel	Architectural Iron

CN-123-A4 Shown with A151 shade(s)

Medium base screw-in socket (1) accepts 150 W max incandescent, compact fluorescent, or LED.

GU24 base bi-pin socket available. 277V 4 pin socket alternative, inquire.

Check our website for alternative 2-1/4" shades.

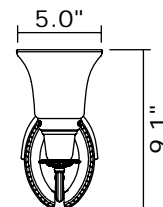
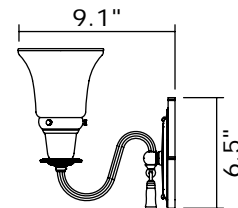
Mounting plate center mounts to junction box.

Mount up only.

UL listed dry location. Damp location available, inquire.

Durably constructed of solid brass.

Made in USA by Brass Light Gallery.

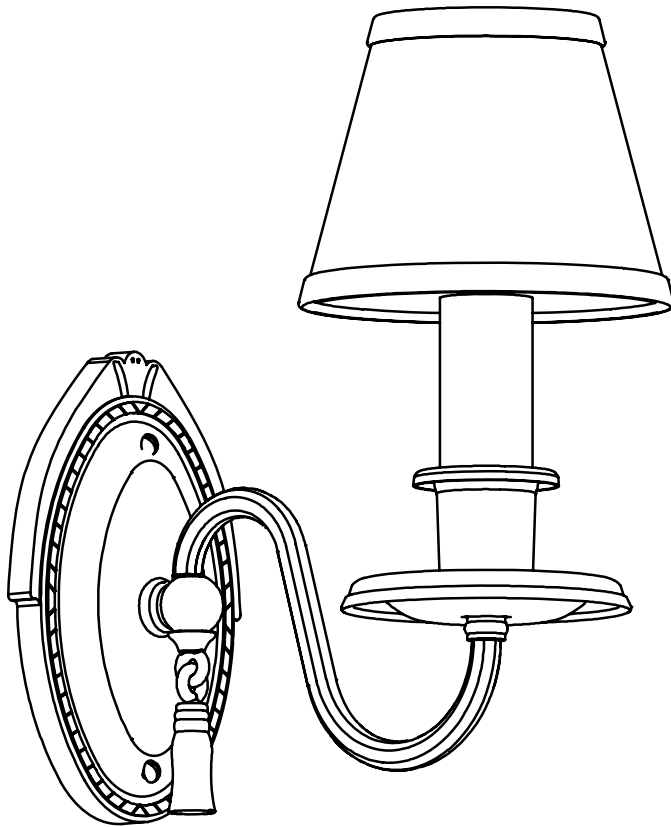


Sheraton Family v1.0 page 9

SHERATON™ ONE LIGHT TASSEL SCONCE

WITH ELECTRIC CANDLE

brasslightgallery.com 800-243-9595 sales@brasslight.com



**NEW
CLASSICS™**
Handmade in USA

FINISHES - applied by hand.

Polished Nickel	Architectural Bronze
Brushed Nickel	Verdigris Patina
Black	Distressed Brass
Brushed Brass	Antique Copper
Polished Brass	Satin Antique Brass
Antique Nickel	Unlacquered Pol. Brass
Vintage Nickel	Architectural Iron

CN-123-B7 Shown with E220 shade(s)

Medium base screw-in socket (1) accepts 60 W max incandescent, compact fluorescent, or LED.

GU24 base bi-pin socket available. 277V 4 pin socket alternative, inquire.

Check online for alternative clip-on shades rated at 40 to 100 watts with this fixture.

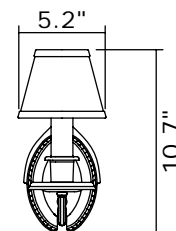
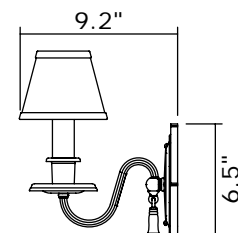
Mounting plate center mounts to junction box.

Mount candle up.

UL listed dry location.

Durably constructed of solid brass.

Made in USA by Brass Light Gallery.

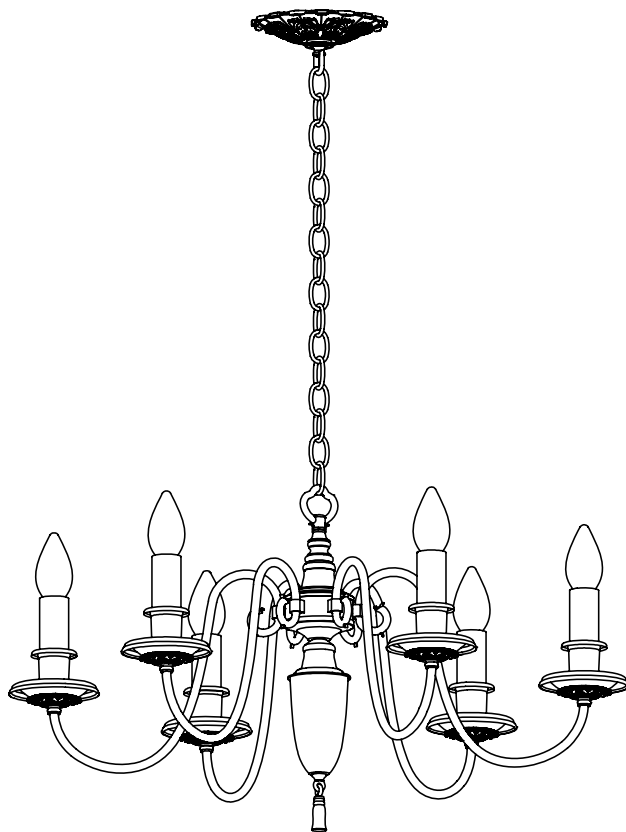


Sheraton Family v1.0 page 10

SHERATON™ SIX LIGHT CHANDELIER

WITH ELECTRIC CANDLES

brasslightgallery.com 800-243-9595 sales@brasslight.com



**NEW
CLASSICS™**
Handmade in USA

FINISHES - applied by hand.

Polished Nickel	Architectural Bronze
Brushed Nickel	Verdigris Patina
Black	Distressed Brass
Brushed Brass	Antique Copper
Polished Brass	Satin Antique Brass
Antique Nickel	Unlacquered Pol. Brass
Vintage Nickel	Architectural Iron

CN-480-B7-05M Shown without shade(s)

Medium base screw-in sockets (6) each accept 60 W max incandescent, compact fluorescent, or LED.

GU24 base bi-pin socket available. 277V 4 pin socket alternative, inquire.

Check online for alternative clip-on shades rated at 40 to 100 watts with this fixture.

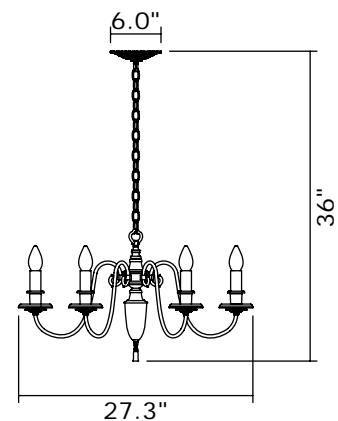
Mounting plate center mounts to junction box.

Specify overall length. Minimum overall length 18".

UL listed dry location.

Durably constructed of solid brass.

Made in USA by Brass Light Gallery.



Sheraton Family v1.0 page 11

BRASS LIGHT GALLERY
• MILWAUKEE •

© 2013, Brass Light Gallery®