

PALLADIAN™

ALABASTER BOWL FAMILY

Named after the Sixteenth Century Venetian architect Andrea Palladio, the Palladian Alabaster Bowl Family has classical appeal. Discover the natural translucence and unique beauty of authentic alabaster stone.

**NEW
CLASSICS™**
Handmade in USA



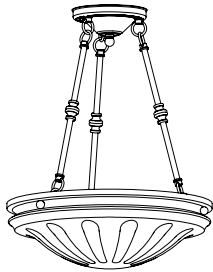
AL-2116-AA

PALLADIAN™

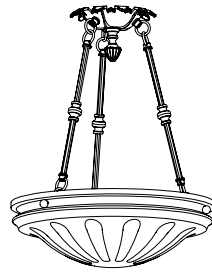
ALABASTER BOWL FAMILY

See our new classics [online](#) for more info.

MOUNTS



Multi-Stem



Ornate Multi-Stem

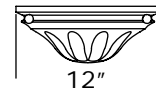


Chain No. 6

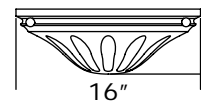


Other chain versions available.

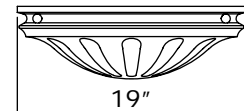
SIZES



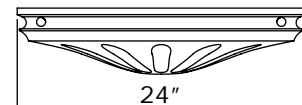
12"



16"



19"



24"

Matching alabaster sconces also [online](#).

NEW
CLASSICS™
Handmade in USA

UL listed. Durable constructed from solid brass and real alabaster stone. Made in USA by Brass Light Gallery.

See our new classics [online](#) for more info.

BRASS LIGHT GALLERY
• MILWAUKEE •

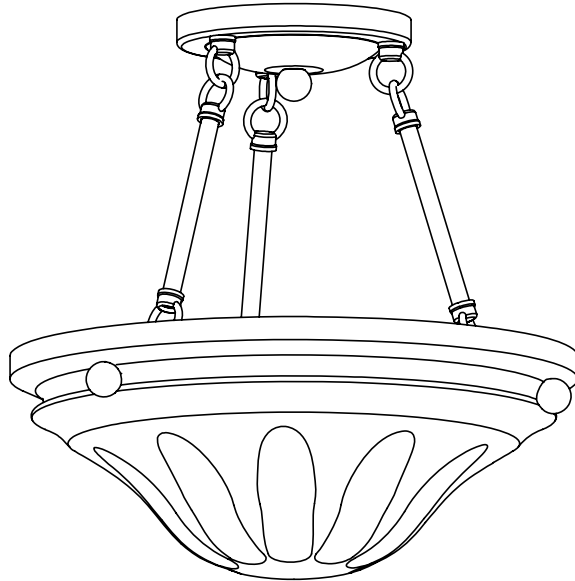
© 2012, Brass Light Gallery®

PALLADIAN™ ALABASTER PENDANT

12" DIAM, MULTI-STEM

brasslightgallery.com 800-243-9595 sales@brasslight.com

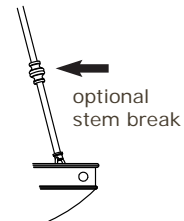
Palladian Alabaster v1.2 page 3



**NEW
CLASSICS™**
Handmade in USA

FINISHES

Antique Copper	Distressed Brass
Antique Nickel	Polished Brass
Architectural Bronze	Polished Nickel
Architectural Iron	Satin Ant. Brass
Black	Unlacq. Pol. Brass
Brushed Brass	Verdigris Patina
Brushed Nickel	Vintage Nickel



AL-2112-AA

Candelabra base screw-in sockets (3) each accept 40 W max incandescent, compact fluorescent, or LED.

GU24 base bi-pin socket available. 277V 4 pin socket alternative, inquire.

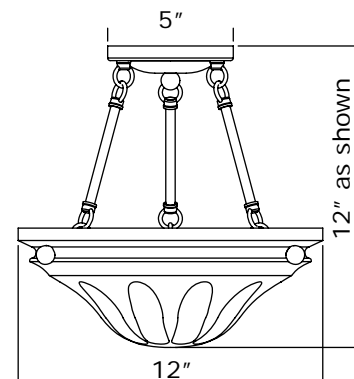
Center mount to junction box.

Specify overall length. Minimum overall length 9".

UL listed dry location.

Durably constructed of solid brass and real alabaster stone.

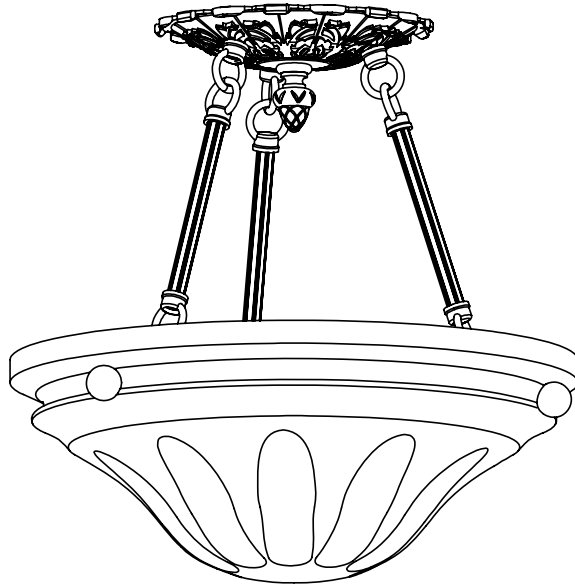
Made in USA by Brass Light Gallery.



PALLADIAN™ ALABASTER PENDANT

12" DIAM, ORNATE MULTI-STEM

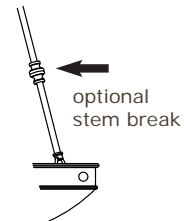
brasslightgallery.com 800-243-9595 sales@brasslight.com



**NEW
CLASSICS™**
Handmade in USA

FINISHES

Antique Copper	Distressed Brass
Antique Nickel	Polished Brass
Architectural Bronze	Polished Nickel
Architectural Iron	Satin Ant. Brass
Black	Unlacq. Pol. Brass
Brushed Brass	Verdigris Patina
Brushed Nickel	Vintage Nickel



AL-2112-AF

Candelabra base screw-in sockets (3) each accept 40 W max incandescent, compact fluorescent, or LED.

GU24 base bi-pin socket available. 277V 4 pin socket alternative, inquire.

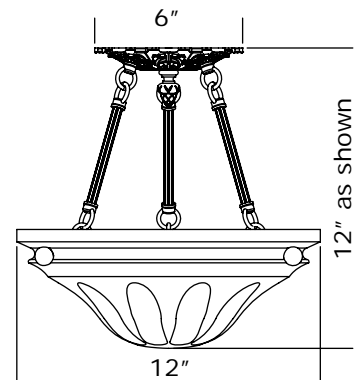
Center mount to junction box.

Specify overall length. Minimum overall length 9".

UL listed dry location.

Durably constructed of solid brass and real alabaster stone.

Made in USA by Brass Light Gallery.



Palladian Alabaster v1.2 page 4

BRASS LIGHT GALLERY
• MILWAUKEE •

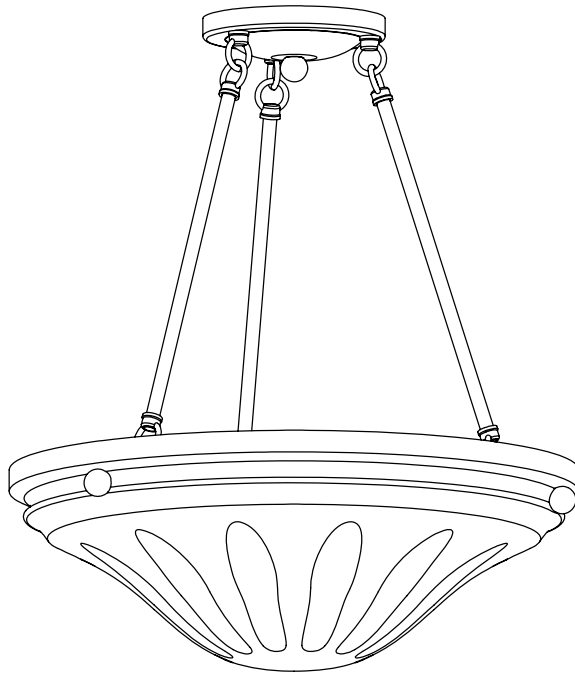
© 2012, Brass Light Gallery®

PALLADIAN™ ALABASTER PENDANT

16" DIAM, MULTI-STEM

brasslightgallery.com 800-243-9595 sales@brasslight.com

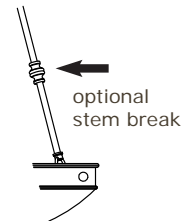
Palladian Alabaster v1.2 page 5



**NEW
CLASSICS™**
Handmade in USA

FINISHES

Antique Copper	Distressed Brass
Antique Nickel	Polished Brass
Architectural Bronze	Polished Nickel
Architectural Iron	Satin Ant. Brass
Black	Unlacq. Pol. Brass
Brushed Brass	Verdigris Patina
Brushed Nickel	Vintage Nickel



AL-2116-AA

Candelabra base screw-in sockets (3) each accept 60 W max incandescent, compact fluorescent, or LED.

GU24 base bi-pin socket available. 277V 4 pin socket alternative, inquire.

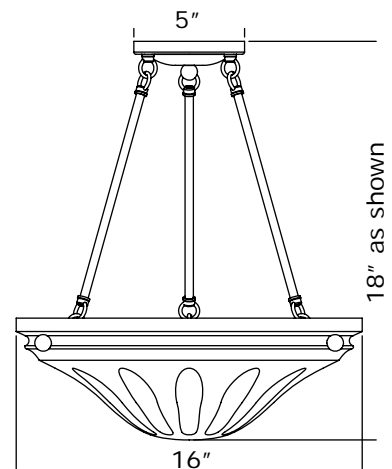
Center mount to junction box.

Specify overall length. Minimum overall length 10".

UL listed dry location.

Durably constructed of solid brass and real alabaster stone.

Made in USA by Brass Light Gallery.

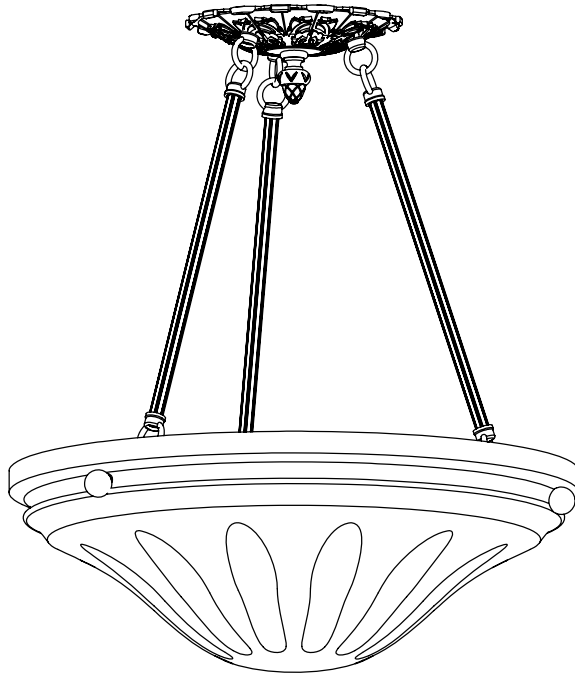


PALLADIAN™ ALABASTER PENDANT

16" DIAM, ORNATE MULTI-STEM

brasslightgallery.com 800-243-9595 sales@brasslight.com

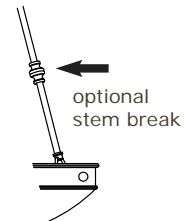
Palladian Alabaster v1.2 page 6



**NEW
CLASSICS™**
Handmade in USA

FINISHES

Antique Copper	Distressed Brass
Antique Nickel	Polished Brass
Architectural Bronze	Polished Nickel
Architectural Iron	Satin Ant. Brass
Black	Unlacq. Pol. Brass
Brushed Brass	Verdigris Patina
Brushed Nickel	Vintage Nickel



AL-2116-AF

Candelabra base screw-in sockets (3) each accept 60 W max incandescent, compact fluorescent, or LED.

GU24 base bi-pin socket available. 277V 4 pin socket alternative, inquire.

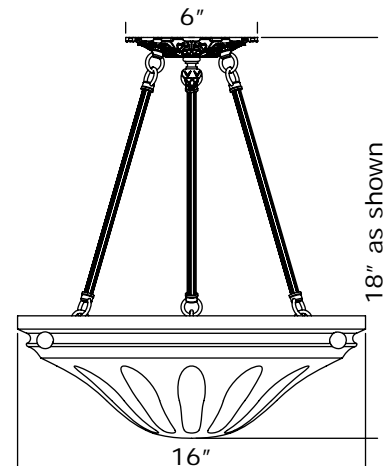
Center mount to junction box.

Specify overall length. Minimum overall length 10".

UL listed dry location.

Durably constructed of solid brass and real alabaster stone.

Made in USA by Brass Light Gallery.

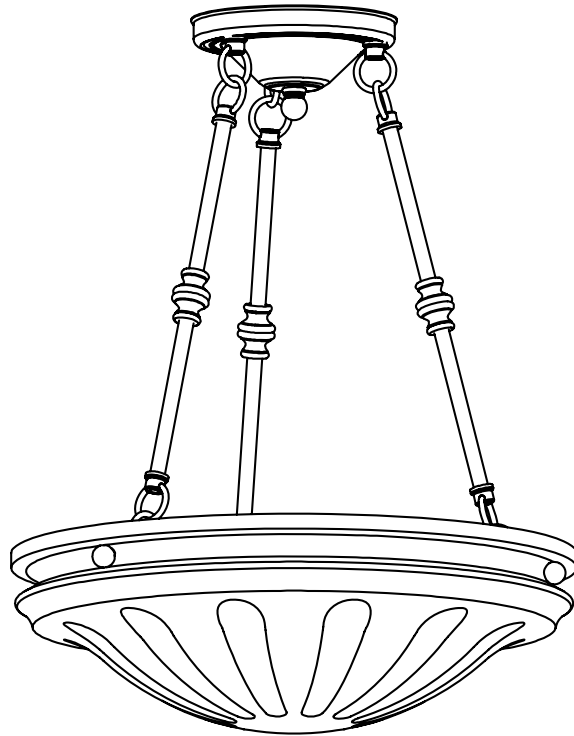


PALLADIAN™ ALABASTER PENDANT

19" DIAM, MULTI-STEM

brasslightgallery.com 800-243-9595 sales@brasslight.com

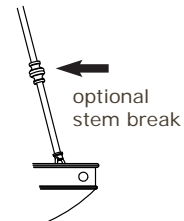
Palladian Alabaster v1.2 page 7



**NEW
CLASSICS™**
Handmade in USA

FINISHES

Antique Copper	Distressed Brass
Antique Nickel	Polished Brass
Architectural Bronze	Polished Nickel
Architectural Iron	Satin Ant. Brass
Black	Unlacq. Pol. Brass
Brushed Brass	Verdigris Patina
Brushed Nickel	Vintage Nickel



AL-2119-AA

Medium base screw-in sockets (3) each accept 75 W max incandescent, compact fluorescent, or LED.

GU24 base bi-pin socket available. 277V 4 pin socket alternative, inquire.

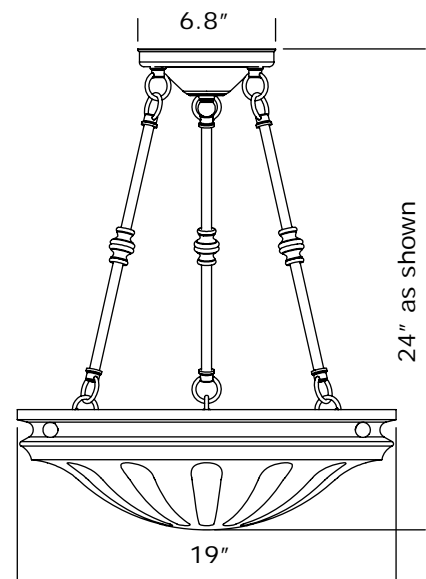
Center mount to junction box.

Specify overall length. Minimum overall length 12".

UL listed dry location.

Durably constructed of solid brass and real alabaster stone.

Made in USA by Brass Light Gallery.



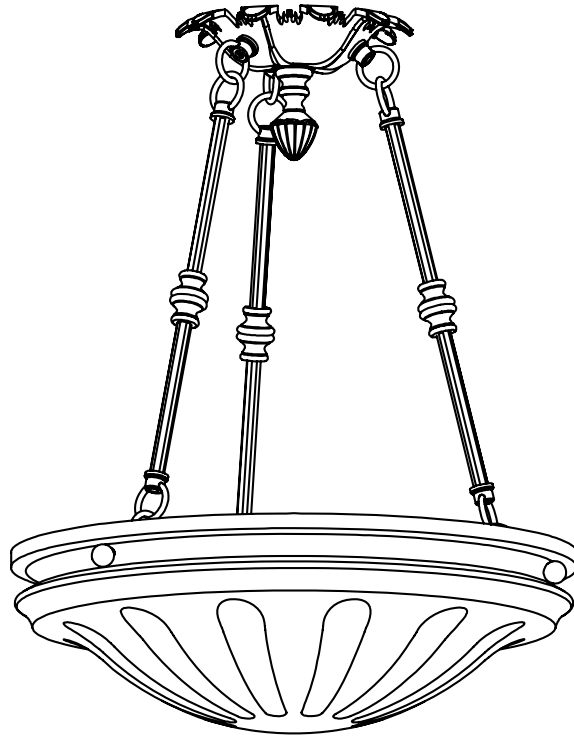
BRASS LIGHT GALLERY
• MILWAUKEE •

© 2012, Brass Light Gallery®

PALLADIAN™ ALABASTER PENDANT

19" DIAM, ORNATE MULTI-STEM

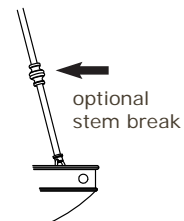
brasslightgallery.com 800-243-9595 sales@brasslight.com



**NEW
CLASSICS™**
Handmade in USA

FINISHES

Antique Copper	Distressed Brass
Antique Nickel	Polished Brass
Architectural Bronze	Polished Nickel
Architectural Iron	Satin Ant. Brass
Black	Unlacq. Pol. Brass
Brushed Brass	Verdigris Patina
Brushed Nickel	Vintage Nickel



AL-2119-AF

Medium base screw-in sockets (3) each accept 75 W max incandescent, compact fluorescent, or LED.

GU24 base bi-pin socket available. 277V 4 pin socket alternative, inquire.

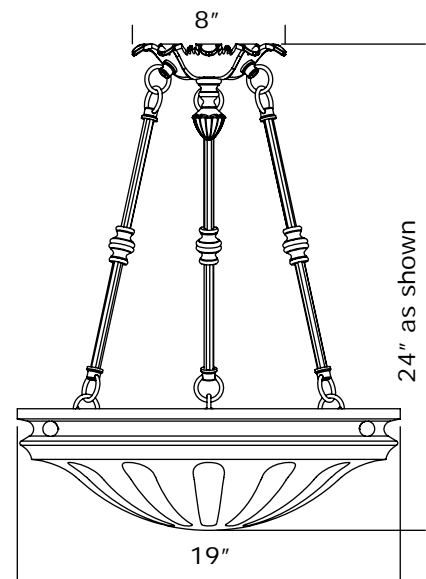
Center mount to junction box.

Specify overall length. Minimum overall length 12".

UL listed dry location.

Durably constructed of solid brass and real alabaster stone.

Made in USA by Brass Light Gallery.



Palladian Alabaster v1.2 page 8

PALLADIAN™ ALABASTER PENDANT

19" DIAM, CHAIN NO. 6

brasslightgallery.com 800-243-9595 sales@brasslight.com

Palladian Alabaster v1.2 page 9



**NEW
CLASSICS™**
Handmade in USA

FINISHES

Antique Copper	Distressed Brass
Antique Nickel	Polished Brass
Architectural Bronze	Polished Nickel
Architectural Iron	Satin Ant. Brass
Black	Unlacq. Pol. Brass
Brushed Brass	Verdigris Patina
Brushed Nickel	Vintage Nickel

AL-2119-AX

Medium base screw-in sockets (3) each accept 75 W max incandescent, compact fluorescent, or LED.

GU24 base bi-pin socket available. 277V 4 pin socket alternative, inquire.

Center mount to junction box.

Specify overall length. Minimum overall length 12".

UL listed dry location.

Durably constructed of solid brass and real alabaster stone.

Made in USA by Brass Light Gallery.

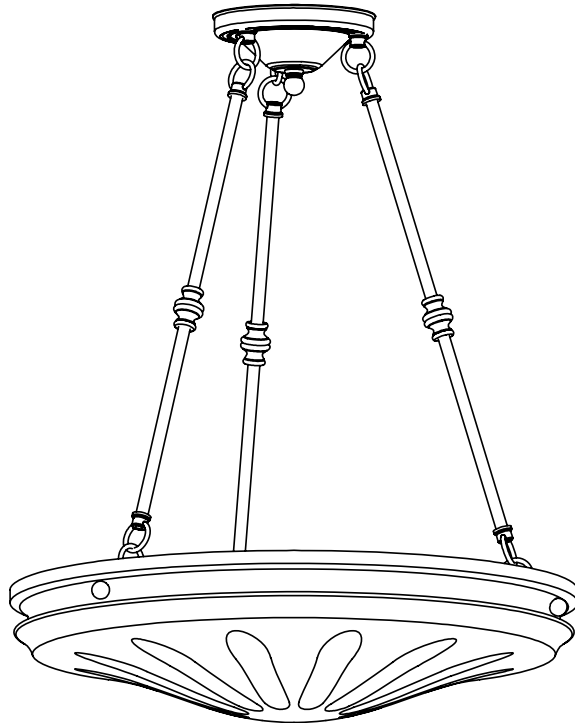


PALLADIAN™ ALABASTER PENDANT

24" DIAM, MULTI-STEM

brasslightgallery.com 800-243-9595 sales@brasslight.com

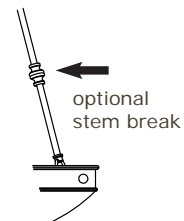
Palladian Alabaster v1.2 page 10



NEW CLASSICS™
Handmade in USA

FINISHES

Antique Copper	Distressed Brass
Antique Nickel	Polished Brass
Architectural Bronze	Polished Nickel
Architectural Iron	Satin Ant. Brass
Black	Unlacq. Pol. Brass
Brushed Brass	Verdigris Patina
Brushed Nickel	Vintage Nickel



AL-2124-AA

Medium base screw-in sockets (3) each accept 100 W max incandescent, compact fluorescent, or LED.

GU24 base bi-pin socket available. 277V 4 pin socket alternative, inquire.

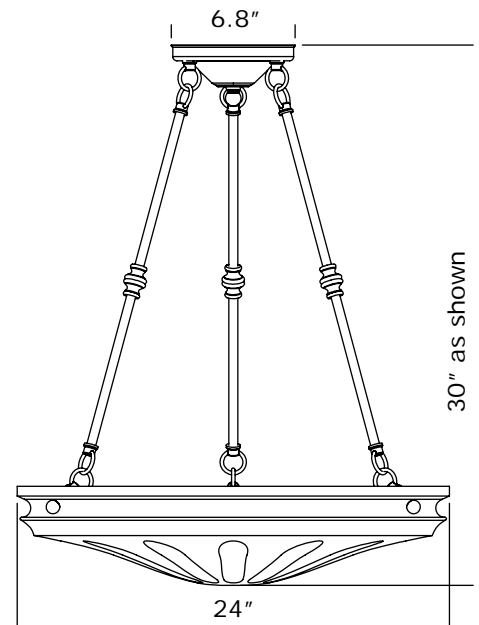
Center mount to junction box.

Specify overall length. Minimum overall length 12".

UL listed dry location.

Durably constructed of solid brass and real alabaster stone.

Made in USA by Brass Light Gallery.



BRASS LIGHT GALLERY
• MILWAUKEE •

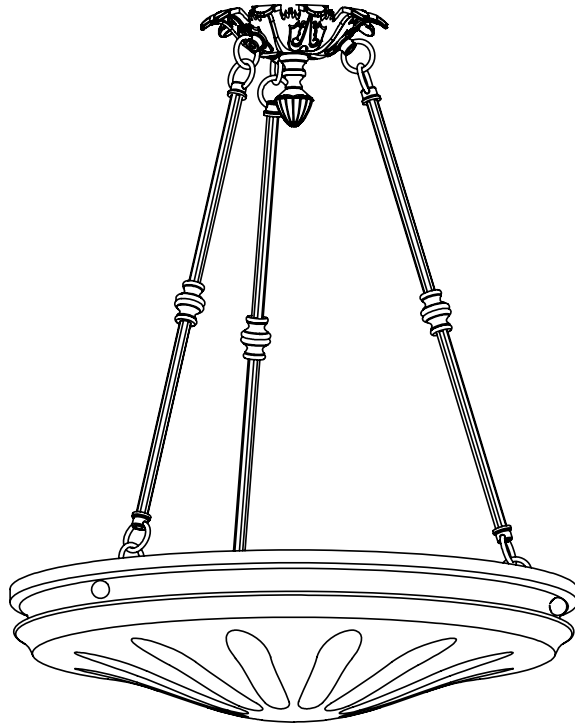
© 2012, Brass Light Gallery®

PALLADIAN™ ALABASTER PENDANT

24" DIAM, ORNATE MULTI-STEM

brasslightgallery.com 800-243-9595 sales@brasslight.com

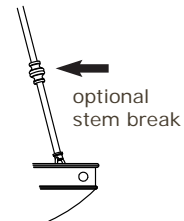
Palladian Alabaster v1.2 page 11



**NEW
CLASSICS™**
Handmade in USA

FINISHES

Antique Copper	Distressed Brass
Antique Nickel	Polished Brass
Architectural Bronze	Polished Nickel
Architectural Iron	Satin Ant. Brass
Black	Unlacq. Pol. Brass
Brushed Brass	Verdigris Patina
Brushed Nickel	Vintage Nickel



AL-2124-AF

Medium base screw-in sockets (3) each accept 100 W max incandescent, compact fluorescent, or LED.

GU24 base bi-pin socket available. 277V 4 pin socket alternative, inquire.

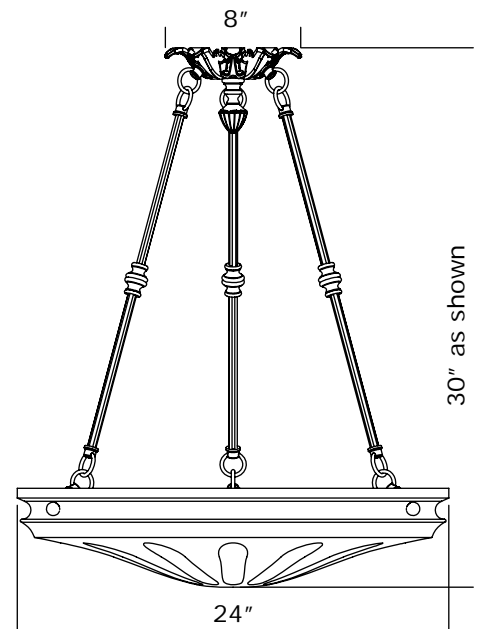
Center mount to junction box.

Specify overall length. Minimum overall length 12".

UL listed dry location.

Durably constructed of solid brass and real alabaster stone.

Made in USA by Brass Light Gallery.



PALLADIAN™

ALABASTER BOWL FAMILY

Version History

- | | | |
|------|------------|--|
| v1.1 | Dec-2011 | First published as a summary only. 2 pages. |
| v1.2 | 01-31-2012 | Added this v history. Revise page 2 with bowl profiles, etc and removed old cut of print catalog. Added individual products. 12 pgs. |