

## OAK PARK™ FAMILY

The Oak Park Family of interior lighting fixtures offers a popular, versatile collection suited to many environments. Lighting with timeless design, functional illumination, and solid construction.

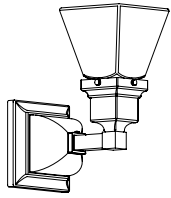


**NEW  
CLASSICS™**  
Handmade in USA

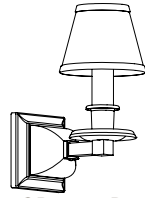
# OAK PARK™ FAMILY

## INTERIOR LIGHTING FIXTURES

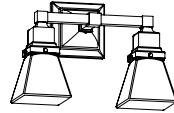
brasslightgallery.com 800-243-9595 sales@brasslight.com



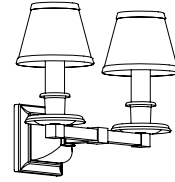
GR-100-B1



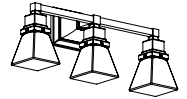
GR-100-B7



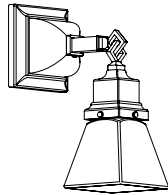
GR-102-B1



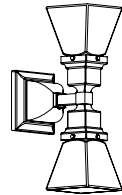
GR-102-B7



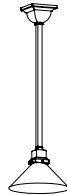
GR-103-B1



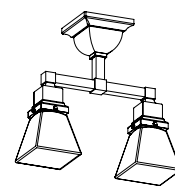
GR-106-B1



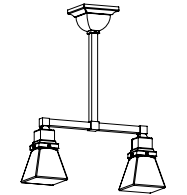
GR-111-B3



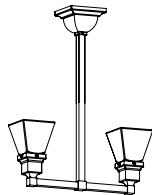
GR-408-B1-03M



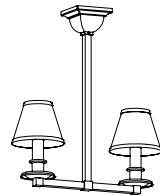
GR-412-B1-03M



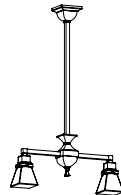
GR-413-B1-03M



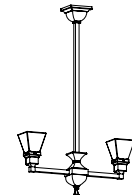
GR-413-B1-09M



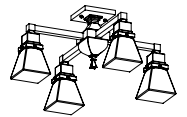
GR-413-B7-09M



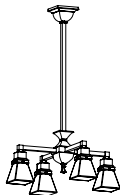
GR-422-B1-03M



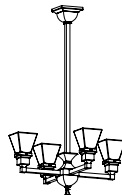
GR-422-B1-09M



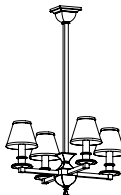
GR-424-B1-01M



GR-424-B1-03M



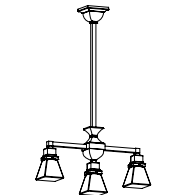
GR-424-B1-09M



GR-424-B7-09M



GR-435-B1-03M

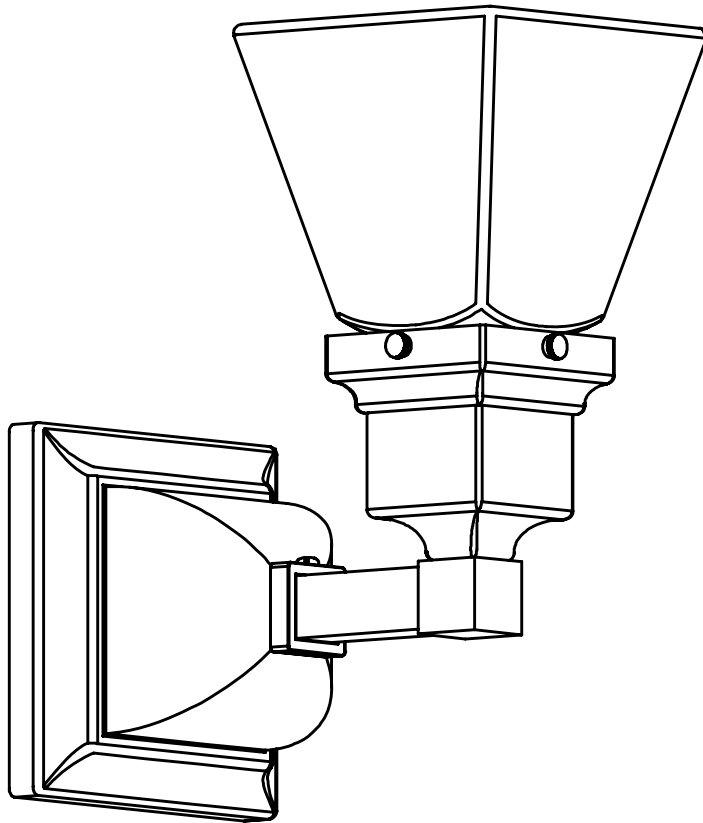


GR-451-B1-03M

Oak Park Family v1.1 page 2

# OAK PARK™ ONE LIGHT STRAIGHT ARM SCONCE

WITH 2-1/4" SHADE HOLDER



**NEW  
CLASSICS™**  
Handmade in USA

## FINISHES - applied by hand.

|                 |                        |
|-----------------|------------------------|
| Polished Nickel | Architectural Bronze   |
| Brushed Nickel  | Verdigris Patina       |
| Black           | Distressed Brass       |
| Brushed Brass   | Antique Copper         |
| Polished Brass  | Satin Antique Brass    |
| Antique Nickel  | Unlacquered Pol. Brass |

Other finishes available for additional charge, inquire.

## GR-100-B1 Shown with A101 shade(s)

Medium base screw-in socket (1) accepts 150 W max incandescent, compact fluorescent, or LED.

GU24 base bi-pin socket available. 277V 4 pin socket alternative, inquire.

Check our website for alternative 2-1/4" shades.

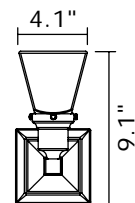
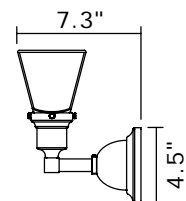
Center mount to junction box.

Mount glass up or glass down.

UL listed dry location. Damp location available, inquire.

Durably constructed of solid brass.

Made in USA by Brass Light Gallery.

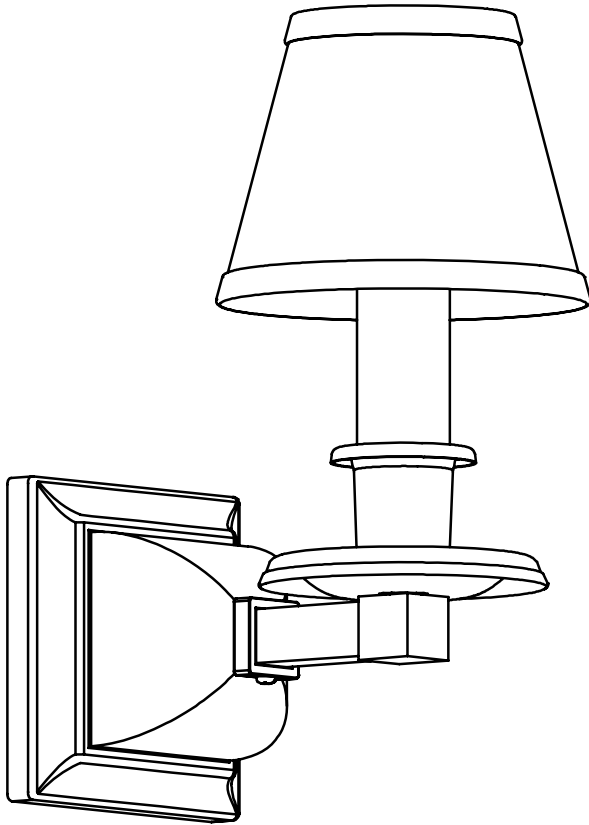


# OAK PARK™ ONE LIGHT STRAIGHT ARM SCONCE

WITH ELECTRIC CANDLE

brasslightgallery.com 800-243-9595 sales@brasslight.com

Oak Park Family v1.1 page 4



**NEW  
CLASSICS™**  
Handmade in USA

## FINISHES - applied by hand.

|                 |                        |
|-----------------|------------------------|
| Polished Nickel | Architectural Bronze   |
| Brushed Nickel  | Verdigris Patina       |
| Black           | Distressed Brass       |
| Brushed Brass   | Antique Copper         |
| Polished Brass  | Satin Antique Brass    |
| Antique Nickel  | Unlacquered Pol. Brass |

Other finishes available for additional charge, inquire.

## GR-100-B7 Shown with E220 shade(s)

Medium base screw-in socket (1) accepts 60 W max incandescent, compact fluorescent, or LED.

GU24 base bi-pin socket available. 277V 4 pin socket alternative, inquire.

Check online for alternative clip-on shades rated at 40 to 100 watts with this fixture.

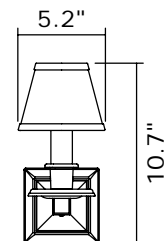
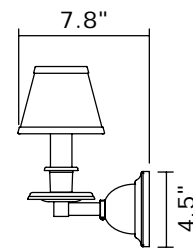
Center mount to junction box.

Mount candle up.

UL listed dry location.

Durably constructed of solid brass.

Made in USA by Brass Light Gallery.



**BRASS LIGHT GALLERY**  
• MILWAUKEE •

© 2013, Brass Light Gallery®

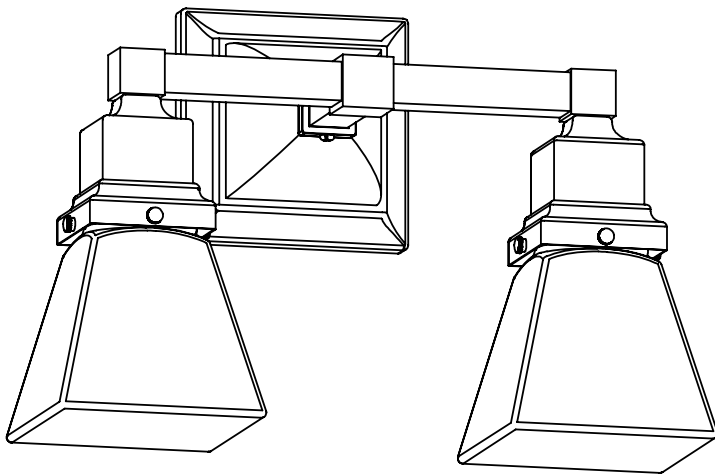
# OAK PARK™ TWO LIGHT STRAIGHT ARM SCONCE

WITH 2-1/4" SHADE HOLDERS

brasslightgallery.com 800-243-9595 sales@brasslight.com

Oak Park Family v1.1 page 5

**NEW  
CLASSICS™**  
Handmade in USA



## FINISHES - applied by hand.

|                 |                        |
|-----------------|------------------------|
| Polished Nickel | Architectural Bronze   |
| Brushed Nickel  | Verdigris Patina       |
| Black           | Distressed Brass       |
| Brushed Brass   | Antique Copper         |
| Polished Brass  | Satin Antique Brass    |
| Antique Nickel  | Unlacquered Pol. Brass |

Other finishes available for additional charge, inquire.

## GR-102-B1 Shown with A101 shade(s)

Medium base screw-in sockets (2) each accept 150 W max incandescent, compact fluorescent, or LED.

GU24 base bi-pin socket available. 277V 4 pin socket alternative, inquire.

Check our website for alternative 2-1/4" shades.

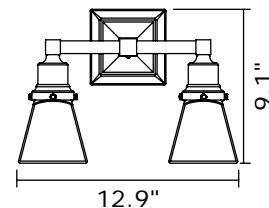
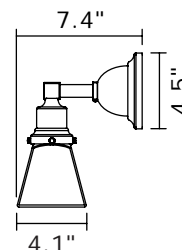
Center mount to junction box.

Mount glass up or glass down.

UL listed dry location. Damp location available, inquire.

Durably constructed of solid brass.

Made in USA by Brass Light Gallery.

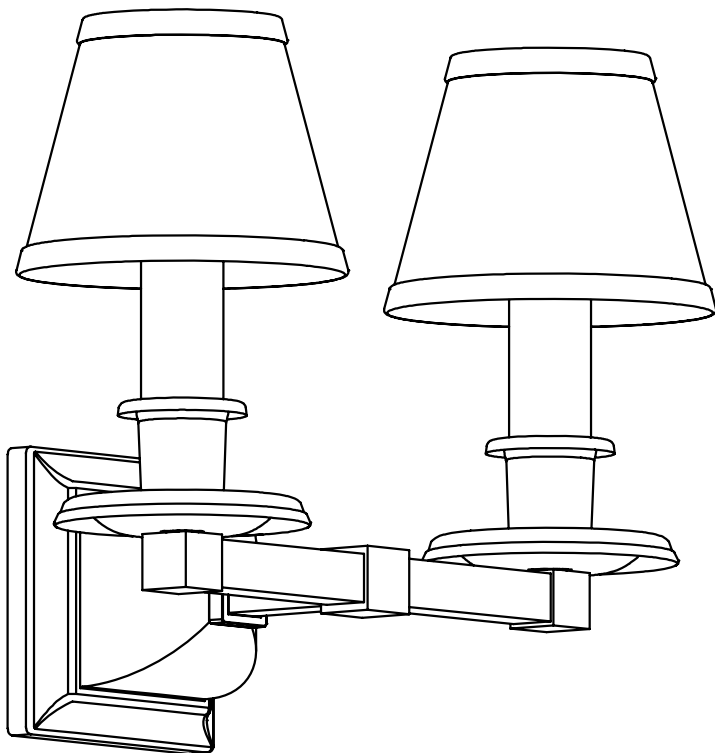


# OAK PARK™ TWO LIGHT STRAIGHT ARM SCONCE

WITH ELECTRIC CANDLES

brasslightgallery.com 800-243-9595 sales@brasslight.com

Oak Park Family v1.1 page 6



**NEW  
CLASSICS™**  
Handmade in USA

## FINISHES - applied by hand.

|                 |                        |
|-----------------|------------------------|
| Polished Nickel | Architectural Bronze   |
| Brushed Nickel  | Verdigris Patina       |
| Black           | Distressed Brass       |
| Brushed Brass   | Antique Copper         |
| Polished Brass  | Satin Antique Brass    |
| Antique Nickel  | Unlacquered Pol. Brass |

Other finishes available for additional charge, inquire.

## GR-102-B7 Shown with E220 shade(s)

Medium base screw-in sockets (2) each accept 60 W max incandescent, compact fluorescent, or LED.

GU24 base bi-pin socket available. 277V 4 pin socket alternative, inquire.

Check online for alternative clip-on shades rated at 40 to 100 watts with this fixture.

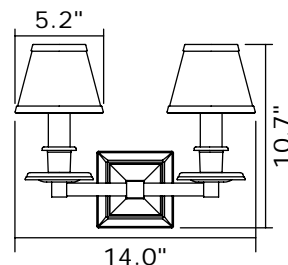
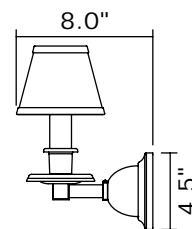
Center mount to junction box.

Mount candle up.

UL listed dry location.

Durably constructed of solid brass.

Made in USA by Brass Light Gallery.

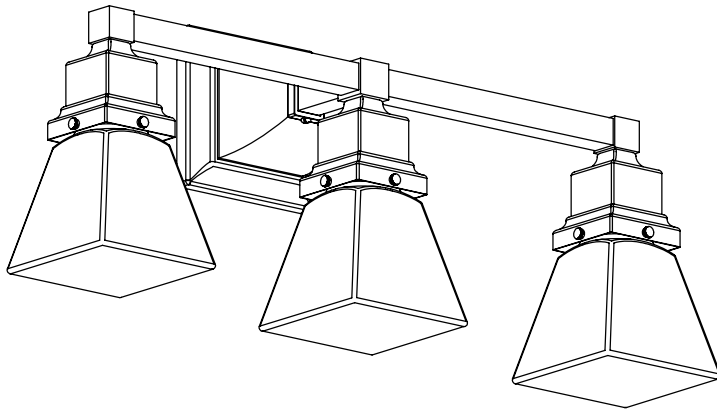


# OAK PARK™ THREE LIGHT STRAIGHT ARM SCONCE

WITH 2-1/4" SHADE HOLDERS

brasslightgallery.com 800-243-9595 sales@brasslight.com

Oak Park Family v1.1 page 7



## FINISHES - applied by hand.

|                 |                        |
|-----------------|------------------------|
| Polished Nickel | Architectural Bronze   |
| Brushed Nickel  | Verdigris Patina       |
| Black           | Distressed Brass       |
| Brushed Brass   | Antique Copper         |
| Polished Brass  | Satin Antique Brass    |
| Antique Nickel  | Unlacquered Pol. Brass |

Other finishes available for additional charge, inquire.

## GR-103-B1 Shown with A101 shade(s)

Medium base screw-in sockets (3) each accept 150 W max incandescent, compact fluorescent, or LED.

GU24 base bi-pin socket available. 277V 4 pin socket alternative, inquire.

Check our website for alternative 2-1/4" shades.

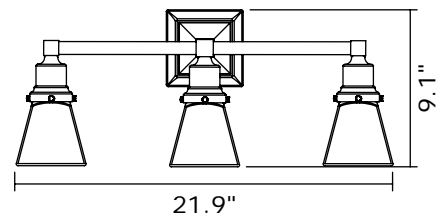
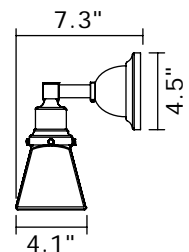
Center mount to junction box.

Mount glass up or glass down.

UL listed dry location. Damp location available, inquire.

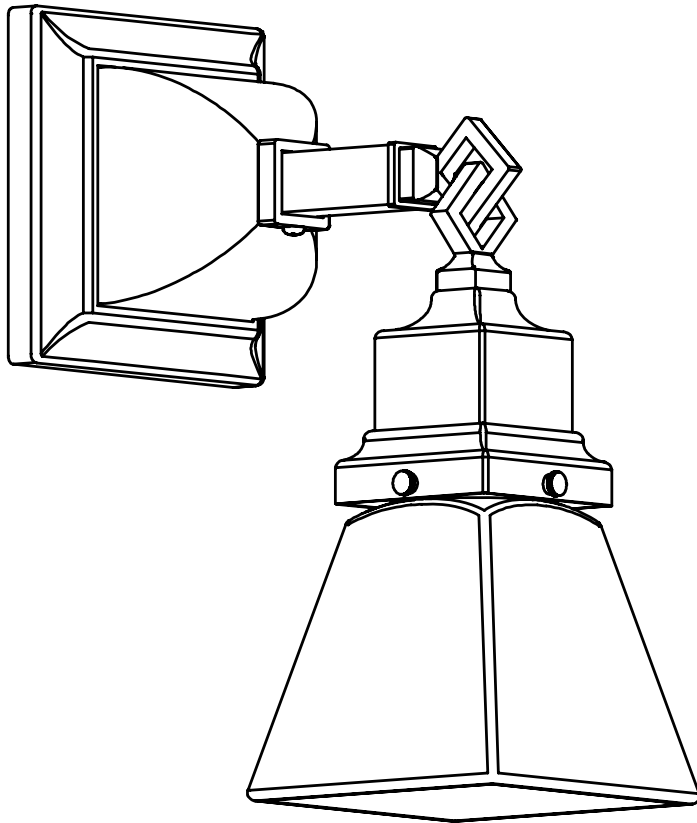
Durably constructed of solid brass.

Made in USA by Brass Light Gallery.



# OAK PARK™ ONE LIGHT CHAIN LINK SCONCE

WITH 2-1/4" SHADE HOLDER

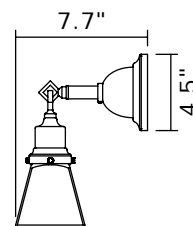


**NEW  
CLASSICS™**  
Handmade in USA

## FINISHES - applied by hand.

|                 |                        |
|-----------------|------------------------|
| Polished Nickel | Architectural Bronze   |
| Brushed Nickel  | Verdigris Patina       |
| Black           | Distressed Brass       |
| Brushed Brass   | Antique Copper         |
| Polished Brass  | Satin Antique Brass    |
| Antique Nickel  | Unlacquered Pol. Brass |

Other finishes available for additional charge, inquire.



## GR-106-B1 Shown with A101 shade(s)

Medium base screw-in socket (1) accepts 150 W max incandescent, compact fluorescent, or LED.

GU24 base bi-pin socket available. 277V 4 pin socket alternative, inquire.

Check our website for alternative 2-1/4" shades.

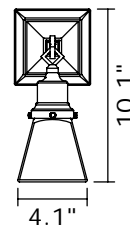
Center mount to junction box.

Mount down only.

UL listed dry location. Damp location available, inquire.

Durably constructed of solid brass.

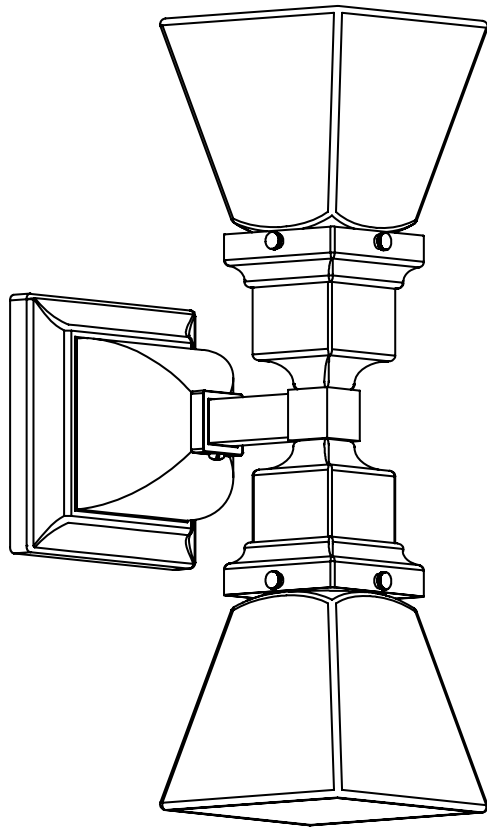
Made in USA by Brass Light Gallery.





# OAK PARK™ TWO LIGHT LINEAR SCONCE

WITH 2-1/4" SHADE HOLDERS



**NEW  
CLASSICS™**  
Handmade in USA

## FINISHES - applied by hand.

|                 |                        |
|-----------------|------------------------|
| Polished Nickel | Architectural Bronze   |
| Brushed Nickel  | Verdigris Patina       |
| Black           | Distressed Brass       |
| Brushed Brass   | Antique Copper         |
| Polished Brass  | Satin Antique Brass    |
| Antique Nickel  | Unlacquered Pol. Brass |

Other finishes available for additional charge, inquire.

## GR-111-B3 Shown with A101 shade(s)

Medium base screw-in sockets (2) each accept 150 W max incandescent, compact fluorescent, or LED.

GU24 base bi-pin socket available. 277V 4 pin socket alternative, inquire.

Check our website for alternative 2-1/4" shades.

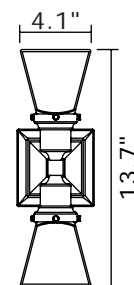
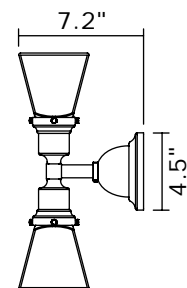
Center mount to junction box.

Mount horizontally or vertically.

UL listed dry location. Damp location available, inquire.

Durably constructed of solid brass.

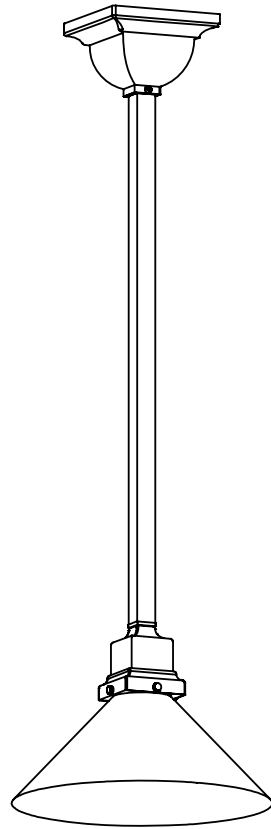
Made in USA by Brass Light Gallery.



# OAK PARK™ ONE LIGHT PENDANT

WITH 2-1/4" SHADE HOLDER

brasslightgallery.com 800-243-9595 sales@brasslight.com

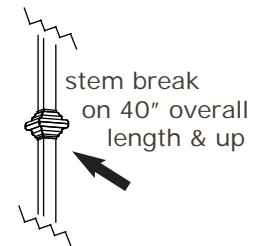


**NEW CLASSICS™**  
Handmade in USA

## FINISHES - applied by hand.

|                 |                        |
|-----------------|------------------------|
| Polished Nickel | Architectural Bronze   |
| Brushed Nickel  | Verdigris Patina       |
| Black           | Distressed Brass       |
| Brushed Brass   | Antique Copper         |
| Polished Brass  | Satin Antique Brass    |
| Antique Nickel  | Unlacquered Pol. Brass |

Other finishes available for additional charge, inquire.



## GR-408-B1-03M Shown with A156 shade(s)

Medium base screw-in socket (1) accepts 150 W max incandescent, compact fluorescent, or LED.

GU24 base bi-pin socket available. 277V 4 pin socket alternative, inquire.

Check our website for alternative 2-1/4" shades.

Center mount to junction box.

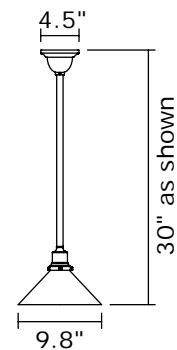
Specify overall length. Minimum overall length 12".

Angled ceiling version available, inquire.

UL listed dry location. Damp location available, inquire.

Durably constructed of solid brass.

Made in USA by Brass Light Gallery.



Oak Park Family v1.1 page 10

**BRASS LIGHT GALLERY**  
• MILWAUKEE •

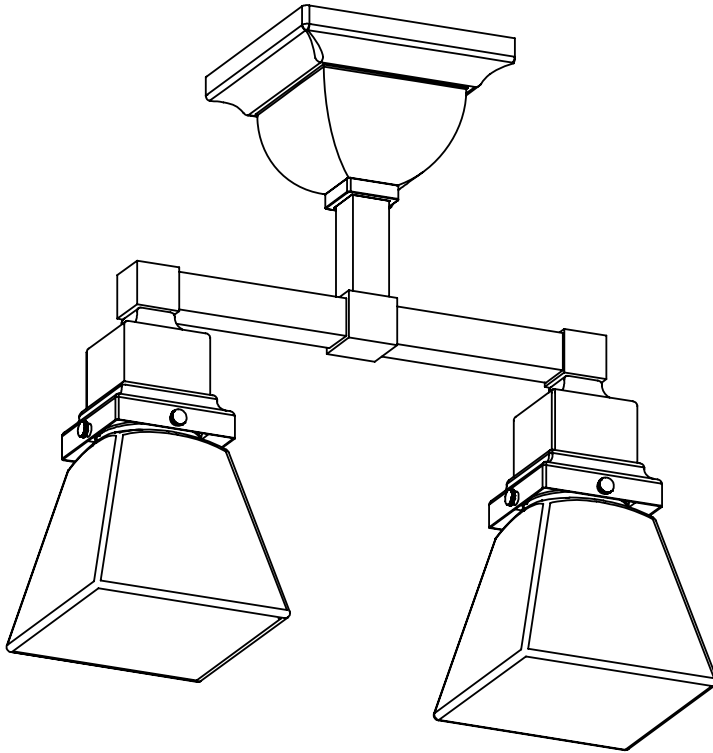
© 2013, Brass Light Gallery®

# OAK PARK™ TWO LIGHT SEMI FLUSH CEILING FIXTURE

WITH 2-1/4" SHADE HOLDERS

brasslightgallery.com 800-243-9595 sales@brasslight.com

Oak Park Family v1.1 page 11



**NEW  
CLASSICS™**  
Handmade in USA

## FINISHES - applied by hand.

|                 |                        |
|-----------------|------------------------|
| Polished Nickel | Architectural Bronze   |
| Brushed Nickel  | Verdigris Patina       |
| Black           | Distressed Brass       |
| Brushed Brass   | Antique Copper         |
| Polished Brass  | Satin Antique Brass    |
| Antique Nickel  | Unlacquered Pol. Brass |

Other finishes available for additional charge, inquire.

## GR-412-B1-03M Shown with A101 shade(s)

Medium base screw-in sockets (2) each accept 150 W max incandescent, compact fluorescent, or LED.

GU24 base bi-pin socket available. 277V 4 pin socket alternative, inquire.

Check our website for alternative 2-1/4" shades.

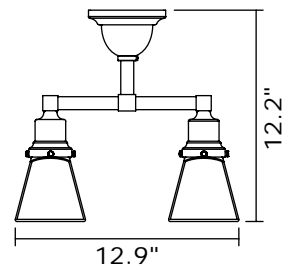
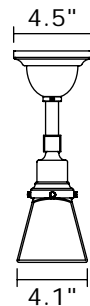
Center mount to junction box.

Angled ceiling version available, inquire.

UL listed dry location. Damp location available, inquire.

Durably constructed of solid brass.

Made in USA by Brass Light Gallery.



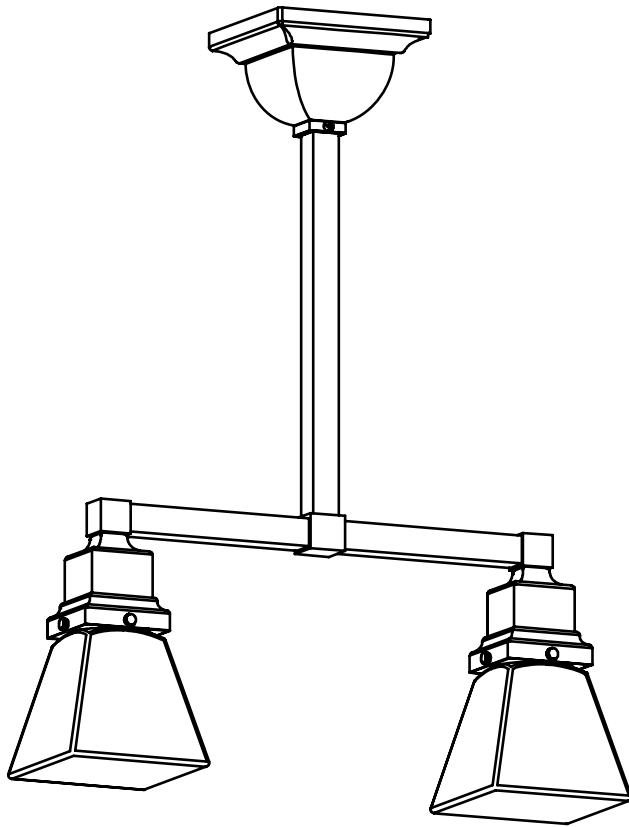
**BRASS LIGHT GALLERY**  
• MILWAUKEE •

© 2013, Brass Light Gallery®

# OAK PARK™ TWO LIGHT PENDANT

WITH 2-1/4" SHADE HOLDERS DOWN

brasslightgallery.com 800-243-9595 sales@brasslight.com



**NEW CLASSICS™**  
Handmade in USA

## FINISHES - applied by hand.

|                 |                        |
|-----------------|------------------------|
| Polished Nickel | Architectural Bronze   |
| Brushed Nickel  | Verdigris Patina       |
| Black           | Distressed Brass       |
| Brushed Brass   | Antique Copper         |
| Polished Brass  | Satin Antique Brass    |
| Antique Nickel  | Unlacquered Pol. Brass |

Other finishes available for additional charge, inquire.

## GR-413-B1-03M Shown with A101 shade(s)

Medium base screw-in sockets (2) each accept 150 W max incandescent, compact fluorescent, or LED.

GU24 base bi-pin socket available. 277V 4 pin socket alternative, inquire.

Check our website for alternative 2-1/4" shades.

Center mount to junction box.

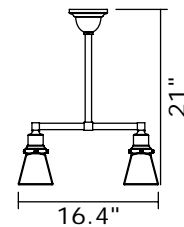
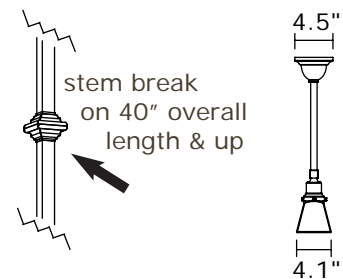
Specify overall length. Minimum overall length 12".

Angled ceiling version available, inquire.

UL listed dry location. Damp location available, inquire.

Durably constructed of solid brass.

Made in USA by Brass Light Gallery.



Oak Park Family v1.1 page 12

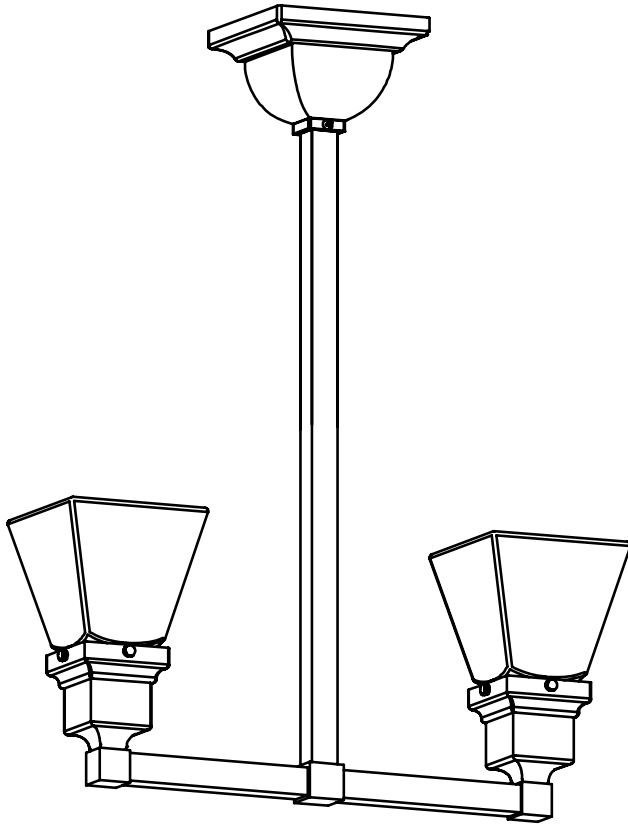
**BRASS LIGHT GALLERY**  
• MILWAUKEE •

© 2013, Brass Light Gallery®

# OAK PARK™ TWO LIGHT PENDANT

WITH 2-1/4" SHADE HOLDERS UP

brasslightgallery.com 800-243-9595 sales@brasslight.com



**NEW CLASSICS™**  
Handmade in USA

## FINISHES - applied by hand.

|                 |                        |
|-----------------|------------------------|
| Polished Nickel | Architectural Bronze   |
| Brushed Nickel  | Verdigris Patina       |
| Black           | Distressed Brass       |
| Brushed Brass   | Antique Copper         |
| Polished Brass  | Satin Antique Brass    |
| Antique Nickel  | Unlacquered Pol. Brass |

Other finishes available for additional charge, inquire.

## GR-413-B1-09M Shown with A101 shade(s)

Medium base screw-in sockets (2) each accept 150 W max incandescent, compact fluorescent, or LED.

GU24 base bi-pin socket available. 277V 4 pin socket alternative, inquire.

Check our website for alternative 2-1/4" shades.

Center mount to junction box.

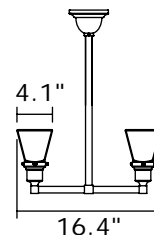
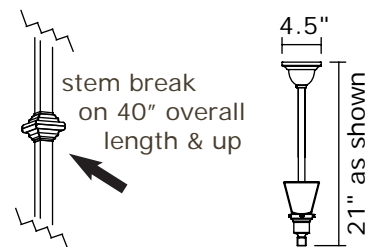
Specify overall length. Minimum overall length 12".

Angled ceiling version available, inquire.

UL listed dry location. Damp location available, inquire.

Durably constructed of solid brass.

Made in USA by Brass Light Gallery.



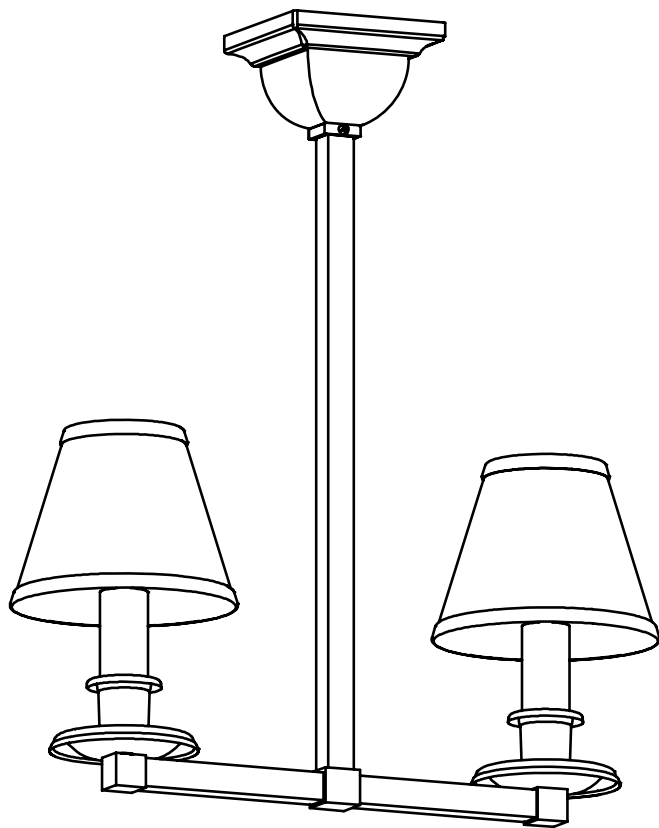
Oak Park Family v1.1 page 13

# OAK PARK™ TWO LIGHT PENDANT

WITH ELECTRIC CANDLES

brasslightgallery.com 800-243-9595 sales@brasslight.com

Oak Park Family v1.1 page 14



**NEW CLASSICS™**  
Handmade in USA

## FINISHES - applied by hand.

|                 |                        |
|-----------------|------------------------|
| Polished Nickel | Architectural Bronze   |
| Brushed Nickel  | Verdigris Patina       |
| Black           | Distressed Brass       |
| Brushed Brass   | Antique Copper         |
| Polished Brass  | Satin Antique Brass    |
| Antique Nickel  | Unlacquered Pol. Brass |

Other finishes available for additional charge, inquire.

## GR-413-B7-09M Shown with E210 shade(s)

Medium base screw-in sockets (2) each accept 60 W max incandescent, compact fluorescent, or LED.

GU24 base bi-pin socket available. 277V 4 pin socket alternative, inquire.

Check online for alternative clip-on shades rated at 40 to 100 watts with this fixture.

Center mount to junction box.

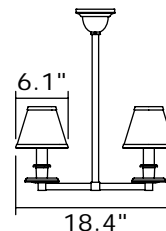
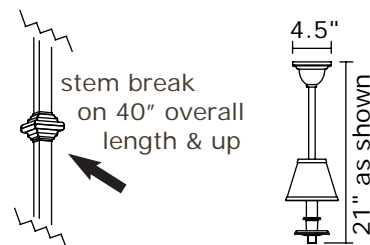
Specify overall length. Minimum overall length 14".

Angled ceiling version available, inquire.

UL listed dry location.

Durably constructed of solid brass.

Made in USA by Brass Light Gallery.



**BRASS LIGHT GALLERY**  
• MILWAUKEE •

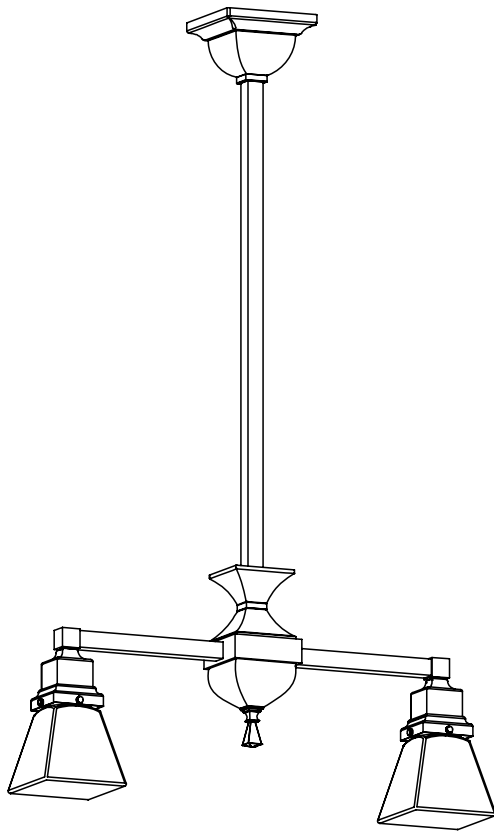
© 2013, Brass Light Gallery®

# OAK PARK™ TWO LIGHT CHANDELIER

WITH 2-1/4" SHADE HOLDERS DOWN

brasslightgallery.com 800-243-9595 sales@brasslight.com

Oak Park Family v1.1 page 15



**NEW CLASSICS™**  
Handmade in USA

## FINISHES - applied by hand.

|                 |                        |
|-----------------|------------------------|
| Polished Nickel | Architectural Bronze   |
| Brushed Nickel  | Verdigris Patina       |
| Black           | Distressed Brass       |
| Brushed Brass   | Antique Copper         |
| Polished Brass  | Satin Antique Brass    |
| Antique Nickel  | Unlacquered Pol. Brass |

Other finishes available for additional charge, inquire.

## GR-422-B1-03M Shown with A101 shade(s)

Medium base screw-in sockets (2) each accept 150 W max incandescent, compact fluorescent, or LED.

GU24 base bi-pin socket available. 277V 4 pin socket alternative, inquire.

Check our website for alternative 2-1/4" shades.

Center mount to junction box.

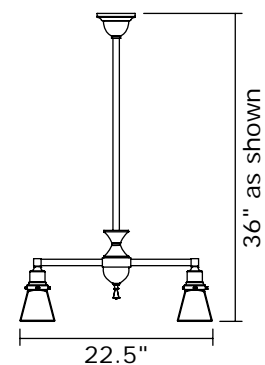
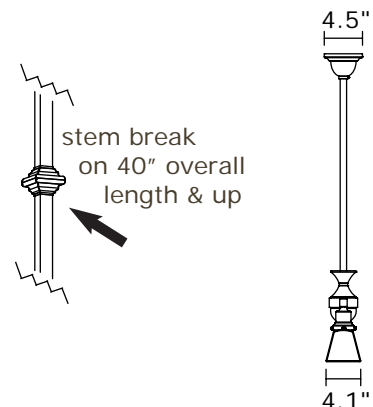
Specify overall length. Minimum overall length 16".

Angled ceiling version available, inquire.

UL listed dry location.

Durably constructed of solid brass.

Made in USA by Brass Light Gallery.



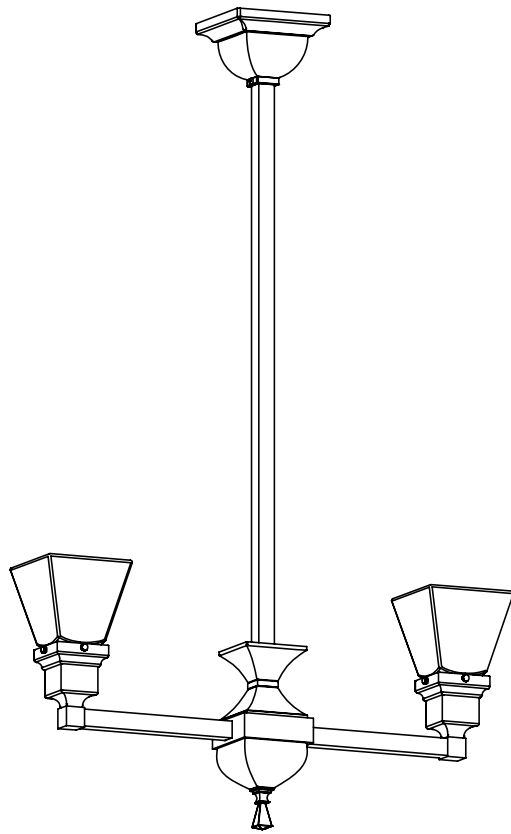
**BRASS LIGHT GALLERY**  
• MILWAUKEE •

© 2013, Brass Light Gallery®

# OAK PARK™ TWO LIGHT CHANDELIER

WITH 2-1/4" SHADE HOLDERS UP

brasslightgallery.com 800-243-9595 sales@brasslight.com



**NEW CLASSICS™**  
Handmade in USA

## FINISHES - applied by hand.

|                 |                        |
|-----------------|------------------------|
| Polished Nickel | Architectural Bronze   |
| Brushed Nickel  | Verdigris Patina       |
| Black           | Distressed Brass       |
| Brushed Brass   | Antique Copper         |
| Polished Brass  | Satin Antique Brass    |
| Antique Nickel  | Unlacquered Pol. Brass |

Other finishes available for additional charge, inquire.

## GR-422-B1-09M Shown with A101 shade(s)

Medium base screw-in sockets (2) each accept 150 W max incandescent, compact fluorescent, or LED.

GU24 base bi-pin socket available. 277V 4 pin socket alternative, inquire.

Check our website for alternative 2-1/4" shades.

Center mount to junction box.

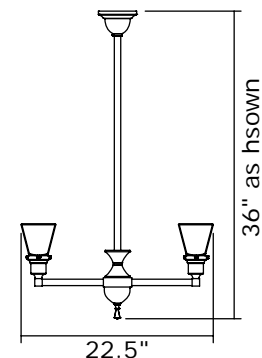
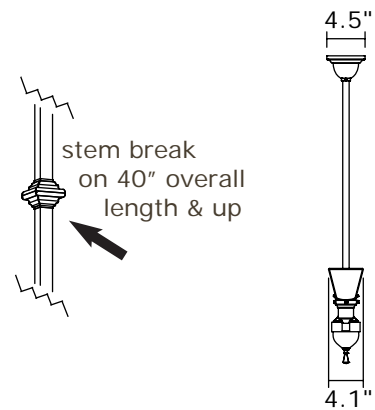
Specify overall length. Minimum overall length 15".

Angled ceiling version available, inquire.

UL listed dry location.

Durably constructed of solid brass.

Made in USA by Brass Light Gallery.



Oak Park Family v1.1 page 16



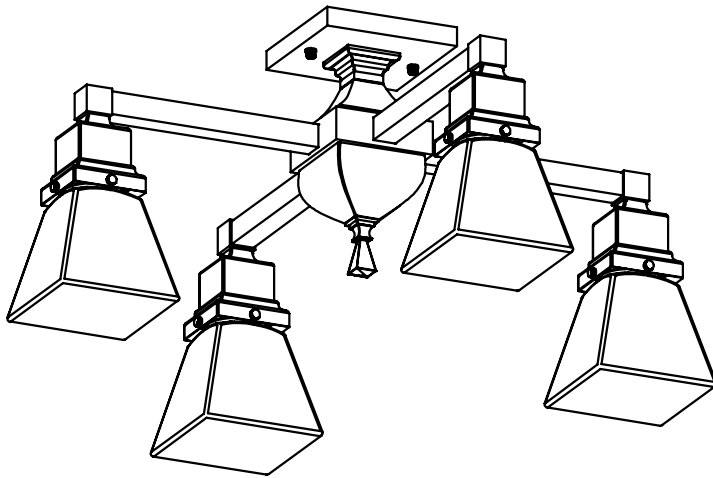
# OAK PARK™ FOUR LIGHT SEMI FLUSH CEILING FIXTURE

WITH 2-1/4" SHADE HOLDERS

brasslightgallery.com 800-243-9595 sales@brasslight.com

Oak Park Family v1.1 page 17

**NEW  
CLASSICS™**  
Handmade in USA



## FINISHES - applied by hand.

|                 |                        |
|-----------------|------------------------|
| Polished Nickel | Architectural Bronze   |
| Brushed Nickel  | Verdigris Patina       |
| Black           | Distressed Brass       |
| Brushed Brass   | Antique Copper         |
| Polished Brass  | Satin Antique Brass    |
| Antique Nickel  | Unlacquered Pol. Brass |

Other finishes available for additional charge, inquire.

## GR-424-B1-01M Shown with A101 shade(s)

Medium base screw-in sockets (4) each accept 150 W max incandescent, compact fluorescent, or LED.

GU24 base bi-pin socket available. 277V 4 pin socket alternative, inquire.

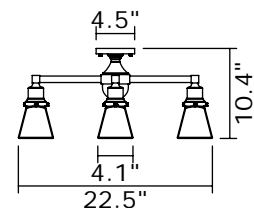
Check our website for alternative 2-1/4" shades.

Center mount to junction box.

UL listed dry location. Damp location available, inquire.

Durably constructed of solid brass.

Made in USA by Brass Light Gallery.



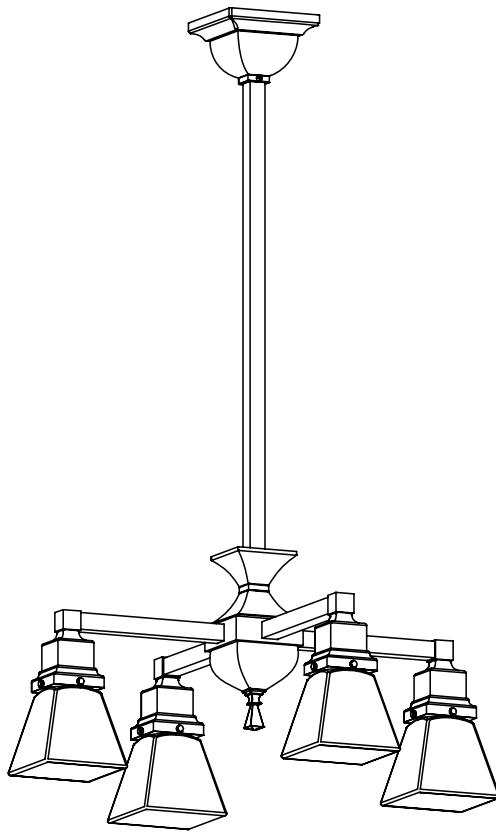
**BRASS LIGHT GALLERY**  
• MILWAUKEE •

© 2013, Brass Light Gallery®

# OAK PARK™ FOUR LIGHT CHANDELIER

WITH 2-1/4" SHADE HOLDERS DOWN

brasslightgallery.com 800-243-9595 sales@brasslight.com

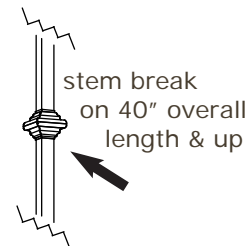


**NEW  
CLASSICS™**  
Handmade in USA

## FINISHES - applied by hand.

|                 |                        |
|-----------------|------------------------|
| Polished Nickel | Architectural Bronze   |
| Brushed Nickel  | Verdigris Patina       |
| Black           | Distressed Brass       |
| Brushed Brass   | Antique Copper         |
| Polished Brass  | Satin Antique Brass    |
| Antique Nickel  | Unlacquered Pol. Brass |

Other finishes available for additional charge, inquire.



## GR-424-B1-03M Shown with A101 shade(s)

Medium base screw-in sockets (4) each accept 150 W max incandescent, compact fluorescent, or LED.

GU24 base bi-pin socket available. 277V 4 pin socket alternative, inquire.

Check our website for alternative 2-1/4" shades.

Center mount to junction box.

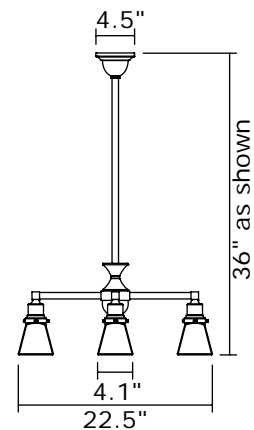
Specify overall length. Minimum overall length 16".

Angled ceiling version available, inquire.

UL listed dry location.

Durably constructed of solid brass.

Made in USA by Brass Light Gallery.



Oak Park Family v1.1 page 18

**BRASS LIGHT GALLERY**  
• MILWAUKEE •

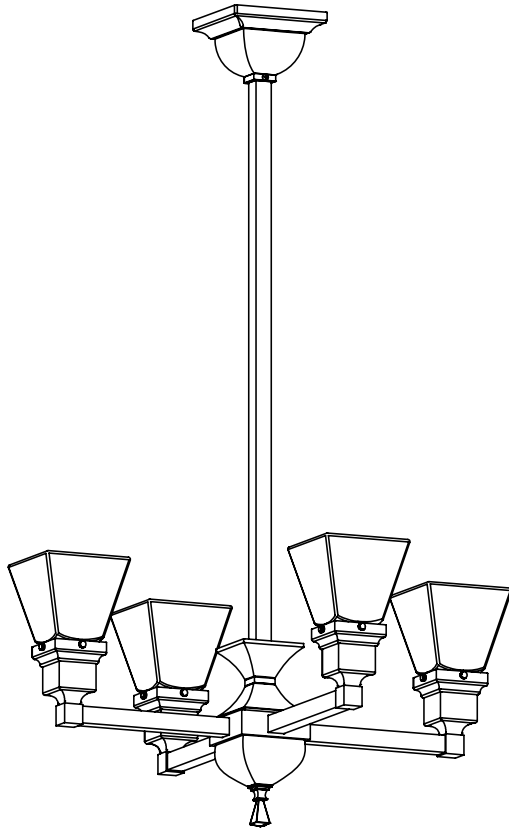
© 2013, Brass Light Gallery®

# OAK PARK™ FOUR LIGHT CHANDELIER

WITH 2-1/4" SHADE HOLDERS UP

brasslightgallery.com 800-243-9595 sales@brasslight.com

Oak Park Family v1.1 page 19

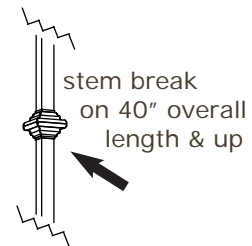


**NEW CLASSICS™**  
Handmade in USA

## FINISHES - applied by hand.

|                 |                        |
|-----------------|------------------------|
| Polished Nickel | Architectural Bronze   |
| Brushed Nickel  | Verdigris Patina       |
| Black           | Distressed Brass       |
| Brushed Brass   | Antique Copper         |
| Polished Brass  | Satin Antique Brass    |
| Antique Nickel  | Unlacquered Pol. Brass |

Other finishes available for additional charge, inquire.



## GR-424-B1-09M Shown with A101 shade(s)

Medium base screw-in sockets (4) each accept 150 W max incandescent, compact fluorescent, or LED.

GU24 base bi-pin socket available. 277V 4 pin socket alternative, inquire.

Check our website for alternative 2-1/4" shades.

Center mount to junction box.

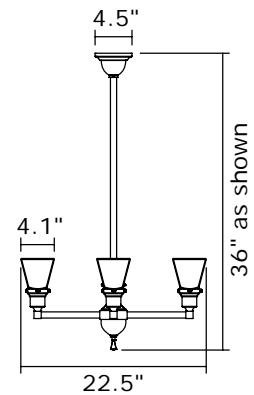
Specify overall length. Minimum overall length 15".

Angled ceiling version available, inquire.

UL listed dry location.

Durably constructed of solid brass.

Made in USA by Brass Light Gallery.



**BRASS LIGHT GALLERY**  
• MILWAUKEE •

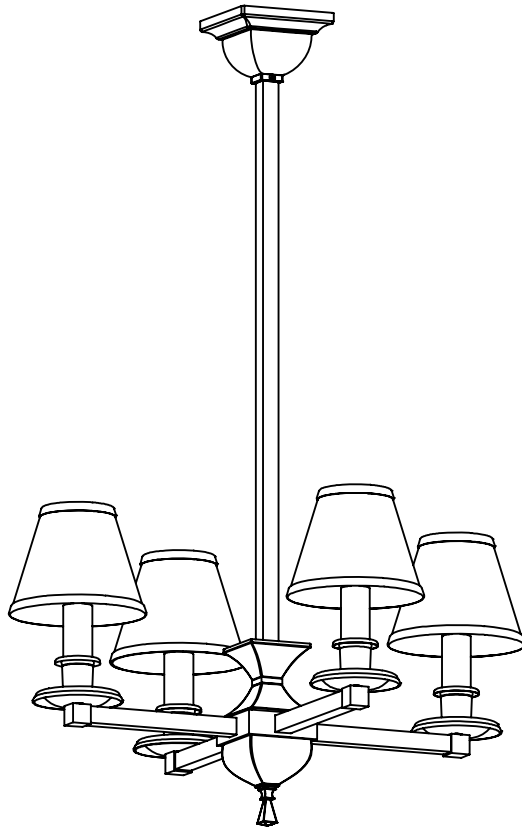
© 2013, Brass Light Gallery®

# OAK PARK™ FOUR LIGHT CHANDELIER

WITH ELECTRIC CANDLES

brasslightgallery.com 800-243-9595 sales@brasslight.com

Oak Park Family v1.1 page 20

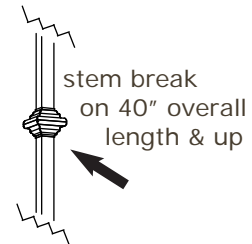


**NEW  
CLASSICS™**  
Handmade in USA

## FINISHES - applied by hand.

|                 |                        |
|-----------------|------------------------|
| Polished Nickel | Architectural Bronze   |
| Brushed Nickel  | Verdigris Patina       |
| Black           | Distressed Brass       |
| Brushed Brass   | Antique Copper         |
| Polished Brass  | Satin Antique Brass    |
| Antique Nickel  | Unlacquered Pol. Brass |

Other finishes available for additional charge, inquire.



## GR-424-B7-09M Shown with E210 shade(s)

Medium base screw-in sockets (4) each accept 60 W max incandescent, compact fluorescent, or LED.

GU24 base bi-pin socket available. 277V 4 pin socket alternative, inquire.

Check online for alternative clip-on shades rated at 40 to 100 watts with this fixture.

Center mount to junction box.

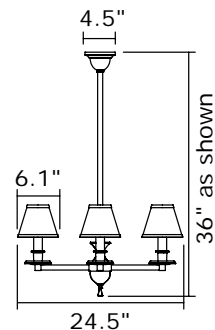
Specify overall length. Minimum overall length 16".

Angled ceiling version available, inquire.

UL listed dry location.

Durably constructed of solid brass.

Made in USA by Brass Light Gallery.



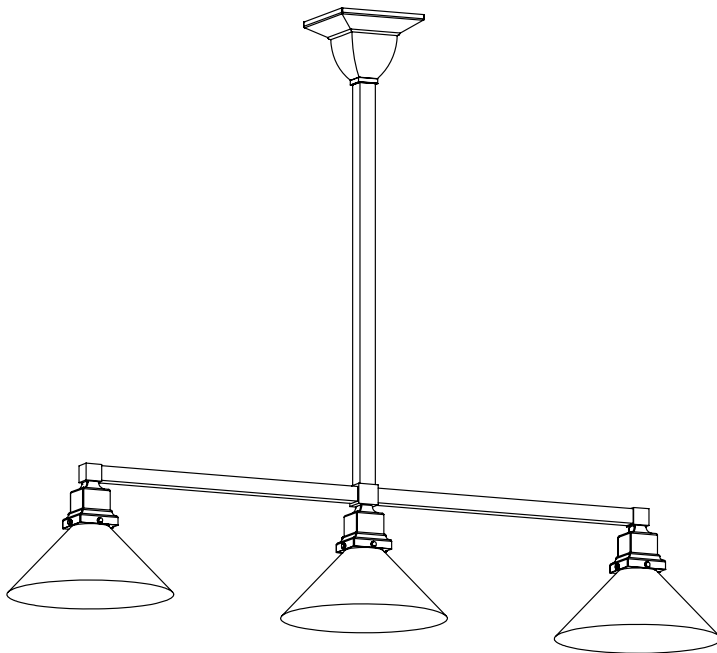
**BRASS LIGHT GALLERY**  
• MILWAUKEE •

© 2013, Brass Light Gallery®

# OAK PARK™ THREE LIGHT LINEAR CHANDELIER

WITH 2-1/4" SHADE HOLDERS

brasslightgallery.com 800-243-9595 sales@brasslight.com



## FINISHES - applied by hand.

- |                 |                        |
|-----------------|------------------------|
| Polished Nickel | Architectural Bronze   |
| Brushed Nickel  | Verdigris Patina       |
| Black           | Distressed Brass       |
| Brushed Brass   | Antique Copper         |
| Polished Brass  | Satin Antique Brass    |
| Antique Nickel  | Unlacquered Pol. Brass |
- Other finishes available for additional charge, inquire.

## GR-435-B1-03M Shown with A156 shade(s)

Medium base screw-in sockets (3) each accept 150 W max incandescent, compact fluorescent, or LED.

GU24 base bi-pin socket available. 277V 4 pin socket alternative, inquire.

Check our website for alternative 2-1/4" shades.

Center mount to junction box.

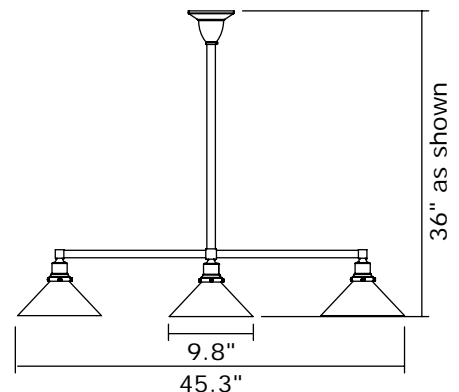
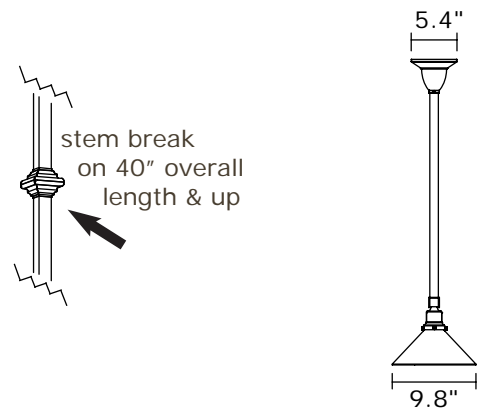
Specify overall length. Minimum overall length 15".

Angled ceiling version available, inquire.

UL listed dry location.

Durably constructed of solid brass.

Made in USA by Brass Light Gallery.

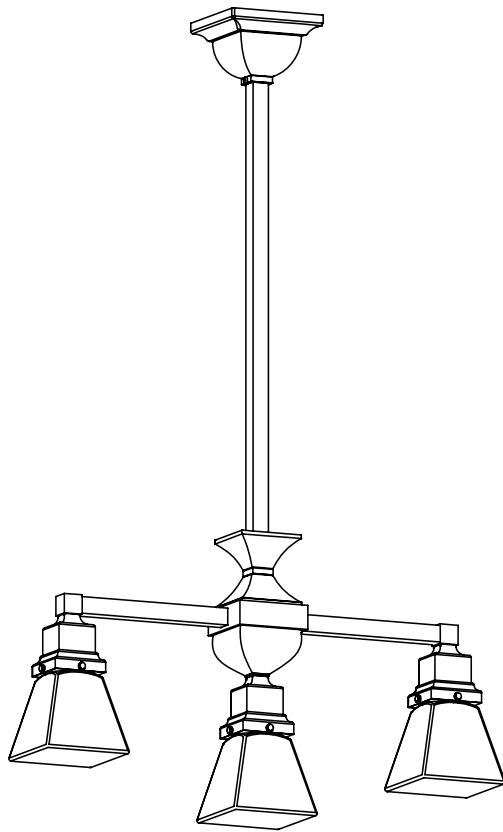


Oak Park Family v1.1 page 21

# OAK PARK™ THREE LIGHT CHANDELIER

WITH 2-1/4" SHADE HOLDERS

brasslightgallery.com 800-243-9595 sales@brasslight.com



**NEW CLASSICS™**  
Handmade in USA

## FINISHES - applied by hand.

|                 |                        |
|-----------------|------------------------|
| Polished Nickel | Architectural Bronze   |
| Brushed Nickel  | Verdigris Patina       |
| Black           | Distressed Brass       |
| Brushed Brass   | Antique Copper         |
| Polished Brass  | Satin Antique Brass    |
| Antique Nickel  | Unlacquered Pol. Brass |

Other finishes available for additional charge, inquire.

## GR-451-B1-03M Shown with A101 shade(s)

Medium base screw-in sockets (3) each accept 150 W max incandescent, compact fluorescent, or LED.

GU24 base bi-pin socket available. 277V 4 pin socket alternative, inquire.

Check our website for alternative 2-1/4" shades.

Center mount to junction box.

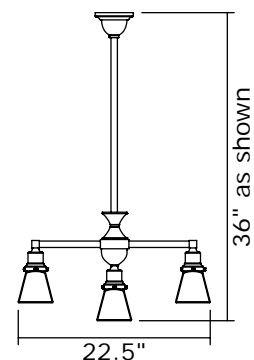
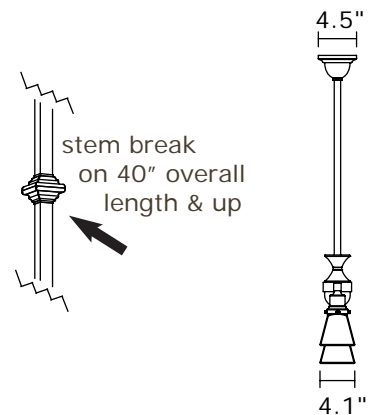
Specify overall length. Minimum overall length 18".

Angled ceiling version available, inquire.

UL listed dry location.

Durably constructed of solid brass.

Made in USA by Brass Light Gallery.



Oak Park Family v1.1 page 22