

MONTCLAIR™ FAMILY

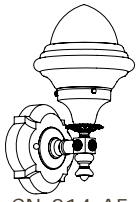
Rooted in Jacobean Design, Montclair™ lighting fixtures harmonize with a variety of traditional interior styles. Featuring a cast brass cloverleaf shape mounting plate and cast rosette embellishments, the Montclair™ Family of interior lights offers a refined look and surprising heft.



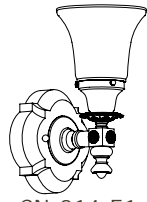
NEW
CLASSICS™
Handmade in USA

MONTCLAIR™ FAMILY

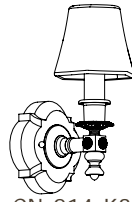
INTERIOR LIGHTING FIXTURES



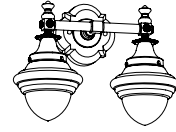
CN-214-A5



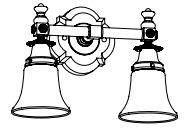
CN-214-E1



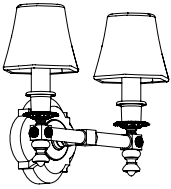
CN-214-K3



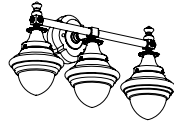
CN-215-A5



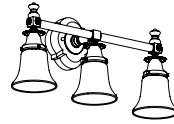
CN-215-E1



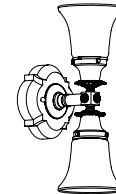
CN-215-K3



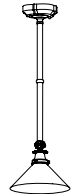
CN-216-A5



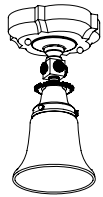
CN-216-E1



CN-217-E1



CN-560-E1-03M



CN-561-E1-01M

brasslightgallery.com 800-243-9595 sales@brasslight.com

Montclair Family v1.1 page 2

Alternative design versions available, please inquire.

BRASS LIGHT GALLERY
• MILWAUKEE •

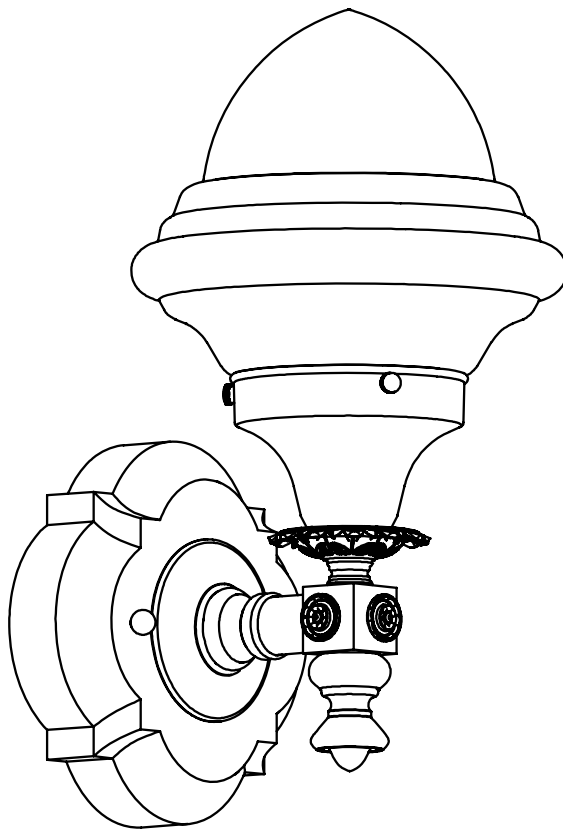
© 2013, Brass Light Gallery®

MONTCLAIR™ ONE LIGHT STRAIGHT ARM SCONCE

WITH 3-1/4" SHADE HOLDER

brasslightgallery.com 800-243-9595 sales@brasslight.com

Montclair Family v1.1 page 3



**NEW
CLASSICS™**
Handmade in USA

FINISHES - applied by hand.

| | |
|-----------------|------------------------|
| Polished Nickel | Architectural Bronze |
| Brushed Nickel | Verdigris Patina |
| Black | Distressed Brass |
| Brushed Brass | Antique Copper |
| Polished Brass | Satin Antique Brass |
| Antique Nickel | Unlacquered Pol. Brass |
| Vintage Nickel | Architectural Iron |

CN-214-A5 Shown with B141 shade(s)

Medium base screw-in socket (1) accepts 150 W max incandescent, compact fluorescent, or LED.

GU24 base bi-pin socket available. 277V 4 pin socket alternative, inquire.

Check our website for alternative 3-1/4" shades.

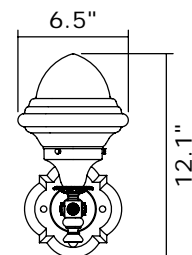
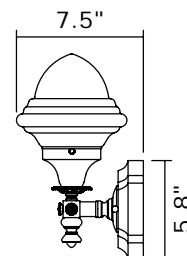
Mounting plate center mounts to junction box.

Mount glass up or glass down.

UL listed dry location. Damp location available, inquire.

Durably constructed of solid brass.

Made in USA by Brass Light Gallery.

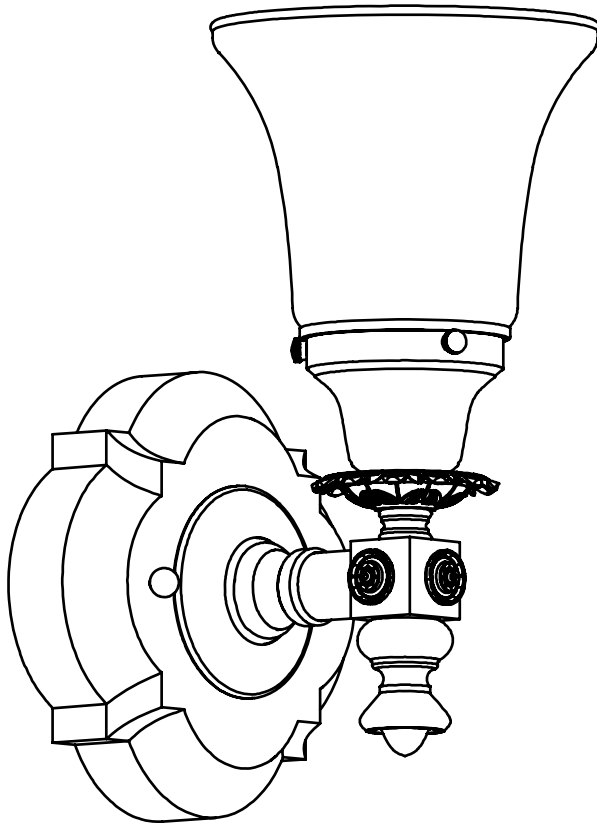


MONTCLAIR™ ONE LIGHT STRAIGHT ARM SCONCE

WITH 2-1/4" SHADE HOLDER

brasslightgallery.com 800-243-9595 sales@brasslight.com

Montclair Family v1.1 page 4



**NEW
CLASSICS™**
Handmade in USA

FINISHES - applied by hand.

| | |
|-----------------|------------------------|
| Polished Nickel | Architectural Bronze |
| Brushed Nickel | Verdigris Patina |
| Black | Distressed Brass |
| Brushed Brass | Antique Copper |
| Polished Brass | Satin Antique Brass |
| Antique Nickel | Unlacquered Pol. Brass |
| Vintage Nickel | Architectural Iron |

CN-214-E1 Shown with A151 shade(s)

Medium base screw-in socket (1) accepts 150 W max incandescent, compact fluorescent, or LED.

GU24 base bi-pin socket available. 277V 4 pin socket alternative, inquire.

Check our website for alternative 2-1/4" shades.

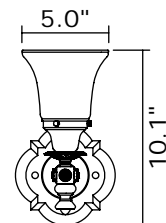
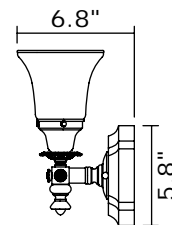
Mounting plate center mounts to junction box.

Mount glass up or glass down.

UL listed dry location. Damp location available, inquire.

Durably constructed of solid brass.

Made in USA by Brass Light Gallery.

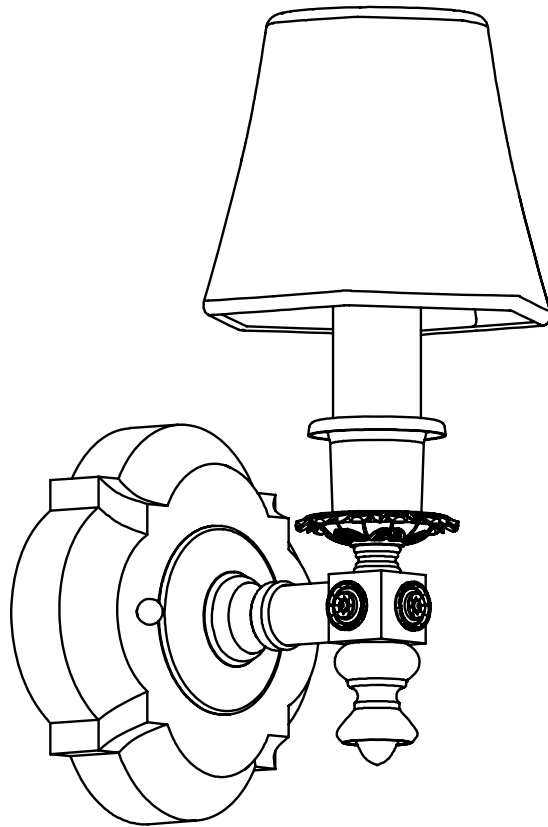


MONTCLAIR™ ONE LIGHT STRAIGHT ARM SCONCE

WITH ELECTRIC CANDLE

brasslightgallery.com 800-243-9595 sales@brasslight.com

Montclair Family v1.1 page 5



**NEW
CLASSICS™**
Handmade in USA

FINISHES - applied by hand.

| | |
|-----------------|------------------------|
| Polished Nickel | Architectural Bronze |
| Brushed Nickel | Verdigris Patina |
| Black | Distressed Brass |
| Brushed Brass | Antique Copper |
| Polished Brass | Satin Antique Brass |
| Antique Nickel | Unlacquered Pol. Brass |
| Vintage Nickel | Architectural Iron |

CN-214-K3 Shown with E495 shade(s)

Medium base screw-in socket (1) accepts 60 W max incandescent, compact fluorescent, or LED.

GU24 base bi-pin socket available. 277V 4 pin socket alternative, inquire.

Check online for alternative clip-on shades rated at 40 to 100 watts with this fixture.

Mounting plate center mounts to junction box.

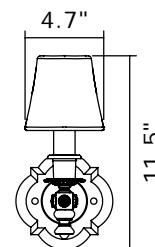
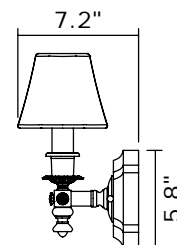
Mount candle up.

UL listed dry location. Damp location available, inquire.

Durably constructed of solid brass.

Made in USA by Brass Light Gallery.

with electric candle



BRASS LIGHT GALLERY
• MILWAUKEE •

© 2013, Brass Light Gallery®

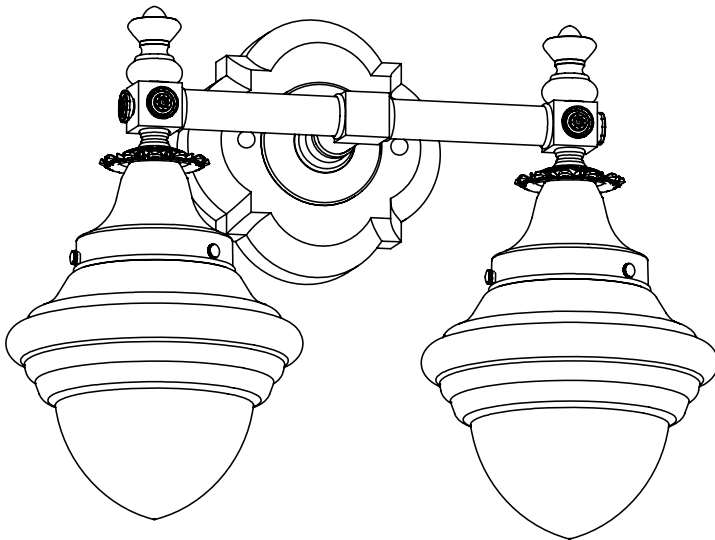
MONTCLAIR™ TWO LIGHT STRAIGHT ARM SCONCE

WITH 3-1/4" SHADE HOLDERS

brasslightgallery.com 800-243-9595 sales@brasslight.com

Montclair Family v1.1 page 6

**NEW
CLASSICS™**
Handmade in USA



FINISHES - applied by hand.

| | |
|-----------------|------------------------|
| Polished Nickel | Architectural Bronze |
| Brushed Nickel | Verdigris Patina |
| Black | Distressed Brass |
| Brushed Brass | Antique Copper |
| Polished Brass | Satin Antique Brass |
| Antique Nickel | Unlacquered Pol. Brass |
| Vintage Nickel | Architectural Iron |

CN-215-A5 Shown with B141 shade(s)

Medium base screw-in sockets (2) each accept 150 W max incandescent, compact fluorescent, or LED.

GU24 base bi-pin socket available. 277V 4 pin socket alternative, inquire.

Check our website for alternative 3-1/4" shades.

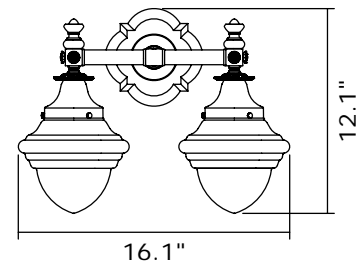
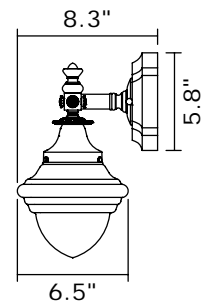
Mounting plate center mounts to junction box.

Mount glass up or glass down.

UL listed dry location. Damp location available, inquire.

Durably constructed of solid brass.

Made in USA by Brass Light Gallery.



BRASS LIGHT GALLERY
• MILWAUKEE •

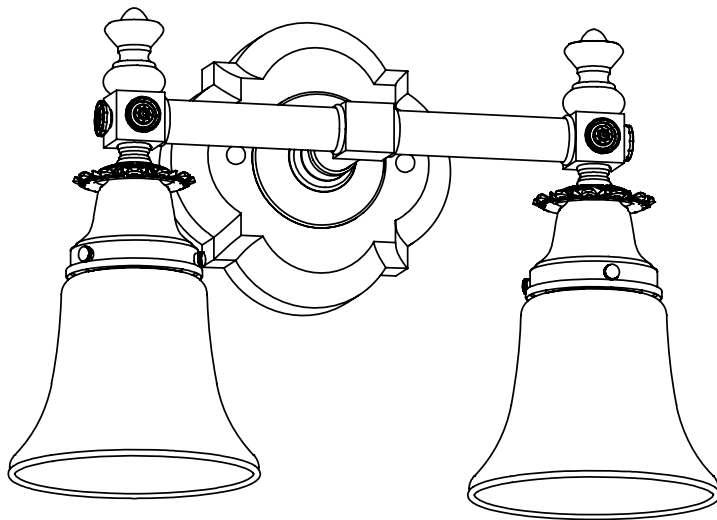
© 2013, Brass Light Gallery®

MONTCLAIR™ TWO LIGHT STRAIGHT ARM SCONCE

WITH 2-1/4" SHADE HOLDERS

brasslightgallery.com 800-243-9595 sales@brasslight.com

Montclair Family v1.1 page 7



**NEW
CLASSICS™**
Handmade in USA

FINISHES - applied by hand.

| | |
|-----------------|------------------------|
| Polished Nickel | Architectural Bronze |
| Brushed Nickel | Verdigris Patina |
| Black | Distressed Brass |
| Brushed Brass | Antique Copper |
| Polished Brass | Satin Antique Brass |
| Antique Nickel | Unlacquered Pol. Brass |
| Vintage Nickel | Architectural Iron |

CN-215-E1 Shown with A151 shade(s)

Medium base screw-in sockets (2) each accept 150 W max incandescent, compact fluorescent, or LED.

GU24 base bi-pin socket available. 277V 4 pin socket alternative, inquire.

Check our website for alternative 2-1/4" shades.

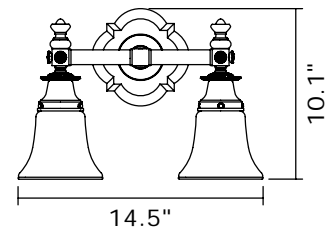
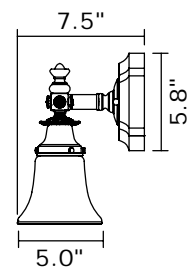
Mounting plate center mounts to junction box.

Mount glass up or glass down.

UL listed dry location. Damp location available, inquire.

Durably constructed of solid brass.

Made in USA by Brass Light Gallery.

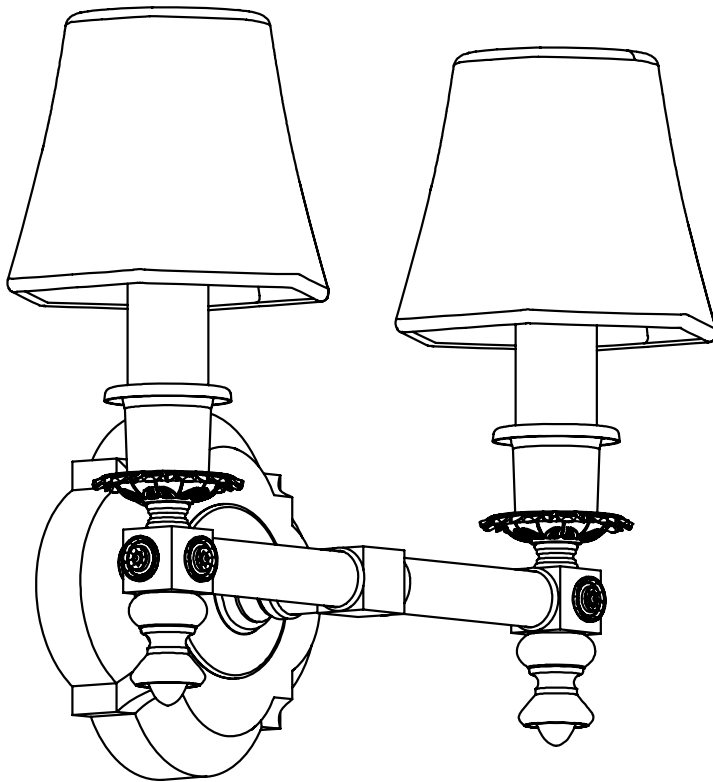


MONTCLAIR™ TWO LIGHT STRAIGHT ARM SCONCE

WITH ELECTRIC CANDLES

brasslightgallery.com 800-243-9595 sales@brasslight.com

Montclair Family v1.1 page 8



**NEW
CLASSICS™**
Handmade in USA

FINISHES - applied by hand.

| | |
|-----------------|------------------------|
| Polished Nickel | Architectural Bronze |
| Brushed Nickel | Verdigris Patina |
| Black | Distressed Brass |
| Brushed Brass | Antique Copper |
| Polished Brass | Satin Antique Brass |
| Antique Nickel | Unlacquered Pol. Brass |
| Vintage Nickel | Architectural Iron |

CN-215-K3 Shown with E495 shade(s)

Medium base screw-in sockets (2) each accept 60 W max incandescent, compact fluorescent, or LED.

GU24 base bi-pin socket available. 277V 4 pin socket alternative, inquire.

Check online for alternative clip-on shades rated at 40 to 100 watts with this fixture.

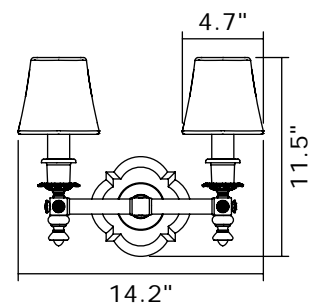
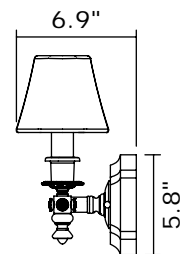
Mounting plate center mounts to junction box.

Mount candle up.

UL listed dry location. Damp location available, inquire.

Durably constructed of solid brass.

Made in USA by Brass Light Gallery.



BRASS LIGHT GALLERY
• MILWAUKEE •

© 2013, Brass Light Gallery®

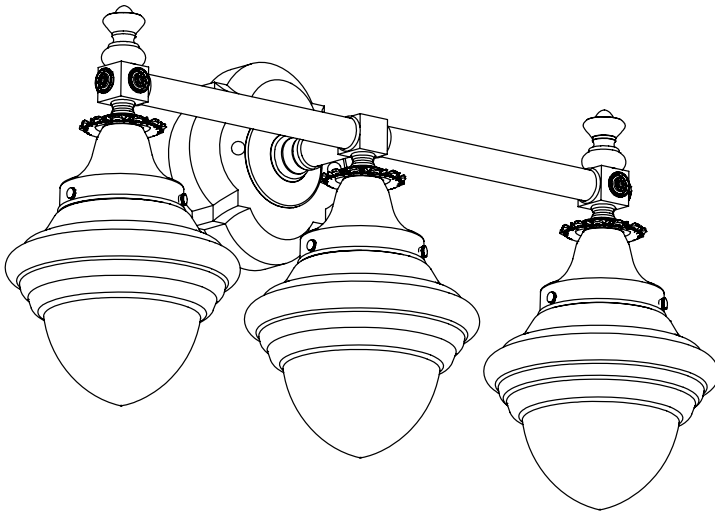
MONTCLAIR™ THREE LIGHT STRAIGHT ARM SCONCE

WITH 3-1/4" SHADE HOLDERS

brasslightgallery.com 800-243-9595 sales@brasslight.com

Montclair Family v1.1 page 9

**NEW
CLASSICS™**
Handmade in USA



FINISHES - applied by hand.

| | |
|-----------------|------------------------|
| Polished Nickel | Architectural Bronze |
| Brushed Nickel | Verdigris Patina |
| Black | Distressed Brass |
| Brushed Brass | Antique Copper |
| Polished Brass | Satin Antique Brass |
| Antique Nickel | Unlacquered Pol. Brass |
| Vintage Nickel | Architectural Iron |

CN-216-A5 Shown with B141 shade(s)

Medium base screw-in sockets (3) each accept 150 W max incandescent, compact fluorescent, or LED.

GU24 base bi-pin socket available. 277V 4 pin socket alternative, inquire.

Check our website for alternative 3-1/4" shades.

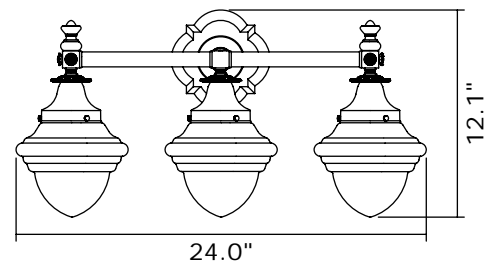
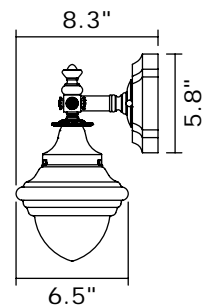
Mounting plate center mounts to junction box.

Mount glass up or glass down.

UL listed dry location. Damp location available, inquire.

Durably constructed of solid brass.

Made in USA by Brass Light Gallery.



BRASS LIGHT GALLERY
• MILWAUKEE •

© 2013, Brass Light Gallery®

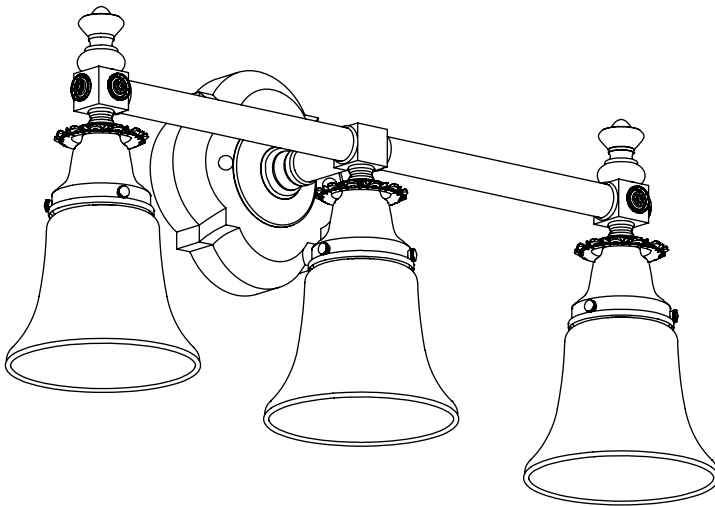
MONTCLAIR™ THREE LIGHT STRAIGHT ARM SCONCE

WITH 2-1/4" SHADE HOLDERS

brasslightgallery.com 800-243-9595 sales@brasslight.com

Montclair Family v1.1 page 10

**NEW
CLASSICS™**
Handmade in USA



FINISHES - applied by hand.

| | |
|-----------------|------------------------|
| Polished Nickel | Architectural Bronze |
| Brushed Nickel | Verdigris Patina |
| Black | Distressed Brass |
| Brushed Brass | Antique Copper |
| Polished Brass | Satin Antique Brass |
| Antique Nickel | Unlacquered Pol. Brass |
| Vintage Nickel | Architectural Iron |

CN-216-E1 Shown with A151 shade(s)

Medium base screw-in sockets (3) each accept 150 W max incandescent, compact fluorescent, or LED.

GU24 base bi-pin socket available. 277V 4 pin socket alternative, inquire.

Check our website for alternative 2-1/4" shades.

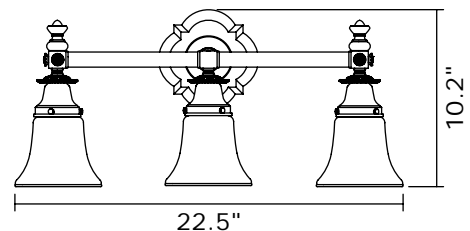
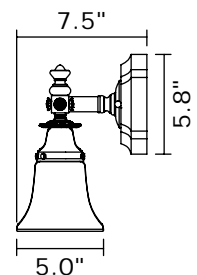
Mounting plate center mounts to junction box.

Mount glass up or glass down.

UL listed dry location. Damp location available, inquire.

Durably constructed of solid brass.

Made in USA by Brass Light Gallery.



BRASS LIGHT GALLERY
• MILWAUKEE •

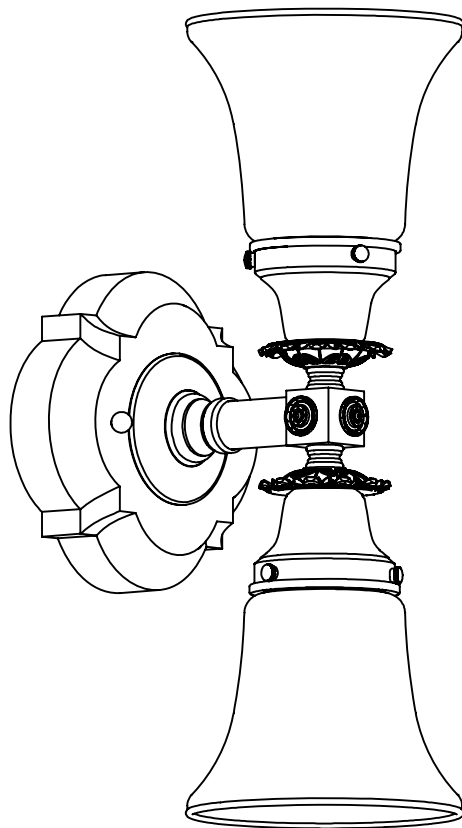
© 2013, Brass Light Gallery®

MONTCLAIR™ TWO LIGHT LINEAR SCONCE

WITH 2-1/4" SHADE HOLDERS

brasslightgallery.com 800-243-9595 sales@brasslight.com

Montclair Family v1.1 page 11



**NEW
CLASSICS™**
Handmade in USA

FINISHES - applied by hand.

| | |
|-----------------|------------------------|
| Polished Nickel | Architectural Bronze |
| Brushed Nickel | Verdigris Patina |
| Black | Distressed Brass |
| Brushed Brass | Antique Copper |
| Polished Brass | Satin Antique Brass |
| Antique Nickel | Unlacquered Pol. Brass |
| Vintage Nickel | Architectural Iron |

CN-217-E1 Shown with A151 shade(s)

Medium base screw-in sockets (2) each accept 150 W max incandescent, compact fluorescent, or LED.

GU24 base bi-pin socket available. 277V 4 pin socket alternative, inquire.

Check our website for alternative 2-1/4" shades.

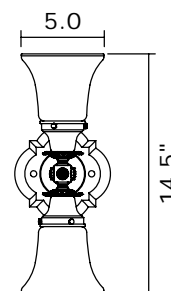
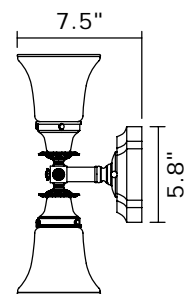
Mounting plate center mounts to junction box.

Mount horizontally or vertically.

UL listed dry location. Damp location available, inquire.

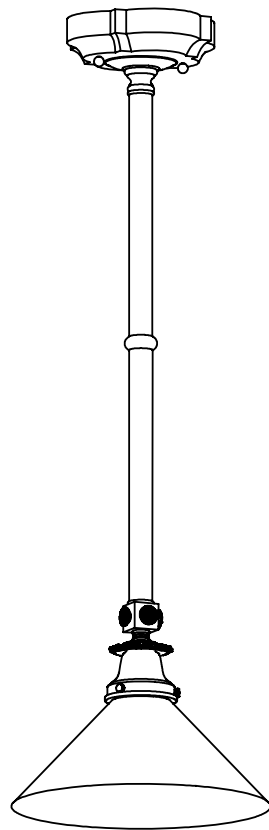
Durably constructed of solid brass.

Made in USA by Brass Light Gallery.



MONTCLAIR™ ONE LIGHT PENDANT

WITH 2-1/4" SHADE HOLDER



**NEW
CLASSICS™**
Handmade in USA

FINISHES - applied by hand.

| | |
|-----------------|------------------------|
| Polished Nickel | Architectural Bronze |
| Brushed Nickel | Verdigris Patina |
| Black | Distressed Brass |
| Brushed Brass | Antique Copper |
| Polished Brass | Satin Antique Brass |
| Antique Nickel | Unlacquered Pol. Brass |
| Vintage Nickel | Architectural Iron |

CN-560-E1-03M Shown with A156 shade(s)

Medium base screw-in socket (1) accepts 150 W max incandescent, compact fluorescent, or LED.

GU24 base bi-pin socket available. 277V 4 pin socket alternative, inquire.

Check our website for alternative 2-1/4" shades.

Mounting plate center mounts to junction box.

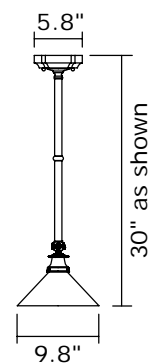
Specify overall length. Minimum overall length 13".

Angled ceiling version available, inquire.

UL listed dry location.

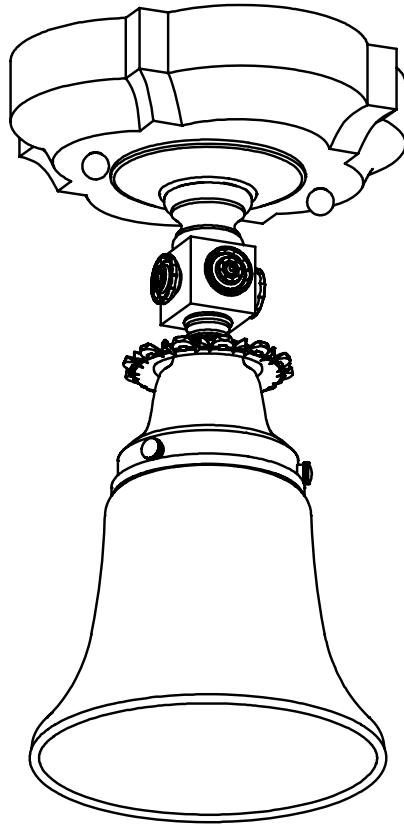
Durably constructed of solid brass.

Made in USA by Brass Light Gallery.



MONTCLAIR™ ONE LIGHT SEMI FLUSH CEILING FIXTURE

WITH 2-1/4" SHADE HOLDER



**NEW
CLASSICS™**
Handmade in USA

FINISHES - applied by hand.

| | |
|-----------------|------------------------|
| Polished Nickel | Architectural Bronze |
| Brushed Nickel | Verdigris Patina |
| Black | Distressed Brass |
| Brushed Brass | Antique Copper |
| Polished Brass | Satin Antique Brass |
| Antique Nickel | Unlacquered Pol. Brass |
| Vintage Nickel | Architectural Iron |

CN-561-E1-01M Shown with A151 shade(s)

Medium base screw-in socket (1) accepts 150 W max incandescent, compact fluorescent, or LED.

GU24 base bi-pin socket available. 277V 4 pin socket alternative, inquire.

Check our website for alternative 2-1/4" shades.

Mounting plate center mounts to junction box.

Angled ceiling version available, inquire.

UL listed dry location.

Durably constructed of solid brass.

Made in USA by Brass Light Gallery.

