

HARTFORD FAMILY™

All the Hartford chandelier and pendent lights feature an elegant rectangular body. These fixtures are perfect for lighting your billiard table or bringing a clean, simple style to the dining room.

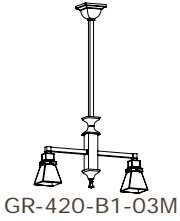


NEW
CLASSICS
Handmade in USA

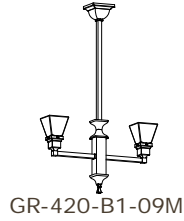
HARTFORD FAMILY™

INTERIOR LIGHTING FIXTURES

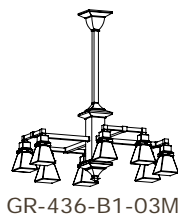
brasslightgallery.com 800-243-9595 sales@brasslight.com



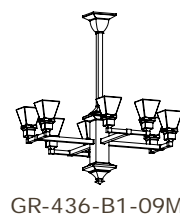
GR-420-B1-03M



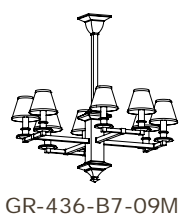
GR-420-B1-09M



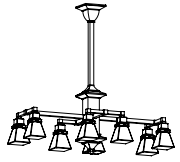
GR-436-B1-03M



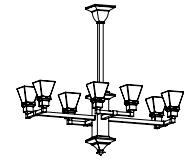
GR-436-B1-09M



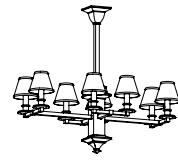
GR-436-B7-09M



GR-438-B1-03M



GR-438-B1-09M



GR-438-B7-09M



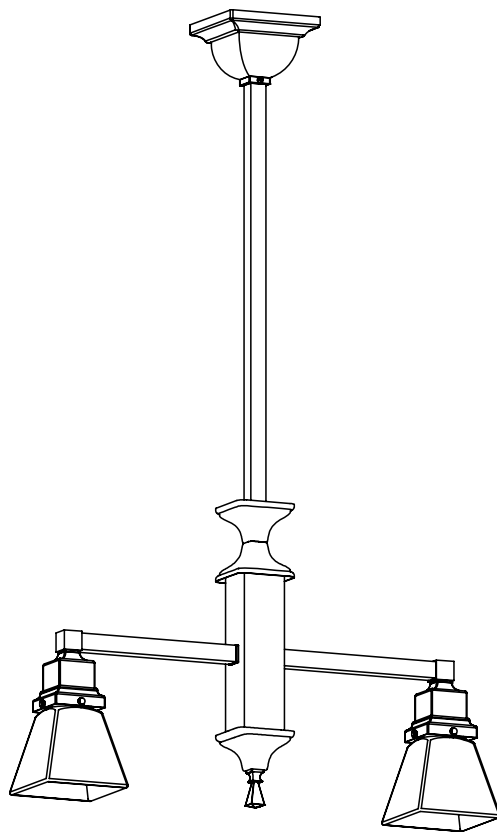
GR-450-B1-03M

Hartford Family v1.0 page 2

HARTFORD™ TWO LIGHT PENDANT

WITH 2-1/4" SHADE HOLDERS DOWN

brasslightgallery.com 800-243-9595 sales@brasslight.com



NEW CLASSICS™
Handmade in USA

FINISHES - applied by hand.

- | | |
|-----------------|------------------------|
| Polished Nickel | Architectural Bronze |
| Brushed Nickel | Verdigris Patina |
| Black | Distressed Brass |
| Brushed Brass | Antique Copper |
| Polished Brass | Satin Antique Brass |
| Antique Nickel | Unlacquered Pol. Brass |
- Other finishes available for additional charge, inquire.

GR-420-B1-03M Shown with A101 shade(s)

Medium base screw-in sockets (2) each accept 150 W max incandescent, compact fluorescent, or LED.

GU24 base bi-pin socket available. 277V 4 pin socket alternative, inquire.

Check our website for alternative 2-1/4" shades.

Mounting plate center mounts to junction box.

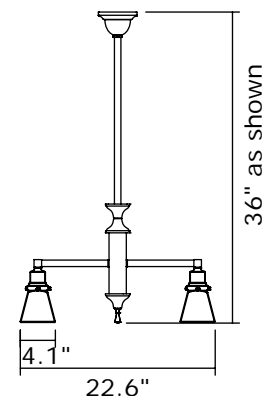
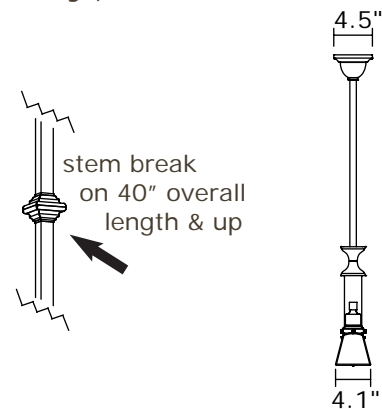
Specify overall length. Minimum overall length 18".

Angled ceiling version available, inquire.

UL listed dry location.

Durably constructed of solid brass.

Made in USA by Brass Light Gallery.

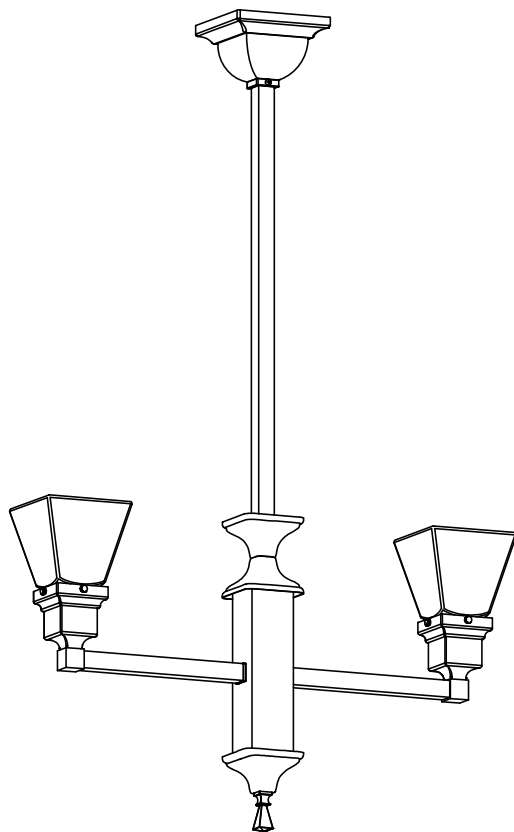


Hartford Family v1.0 page 3

HARTFORD™ TWO LIGHT PENDANT

WITH 2-1/4" SHADE HOLDERS UP

brasslightgallery.com 800-243-9595 sales@brasslight.com



NEW CLASSICS™
Handmade in USA

FINISHES - applied by hand.

- | | |
|-----------------|------------------------|
| Polished Nickel | Architectural Bronze |
| Brushed Nickel | Verdigris Patina |
| Black | Distressed Brass |
| Brushed Brass | Antique Copper |
| Polished Brass | Satin Antique Brass |
| Antique Nickel | Unlacquered Pol. Brass |
- Other finishes available for additional charge, inquire.

GR-420-B1-09M Shown with A101 shade(s)

Medium base screw-in sockets (2) each accept 150 W max incandescent, compact fluorescent, or LED.

GU24 base bi-pin socket available. 277V 4 pin socket alternative, inquire.

Check our website for alternative 2-1/4" shades.

Mounting plate center mounts to junction box.

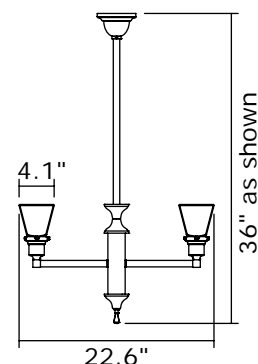
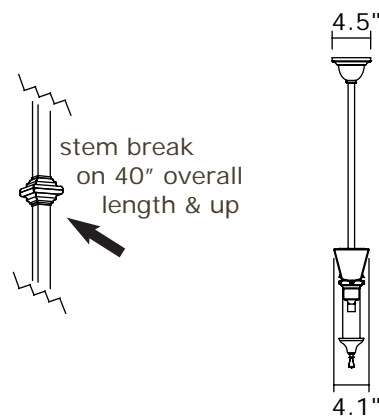
Specify overall length. Minimum overall length 18".

Angled ceiling version available, inquire.

UL listed dry location.

Durably constructed of solid brass.

Made in USA by Brass Light Gallery.

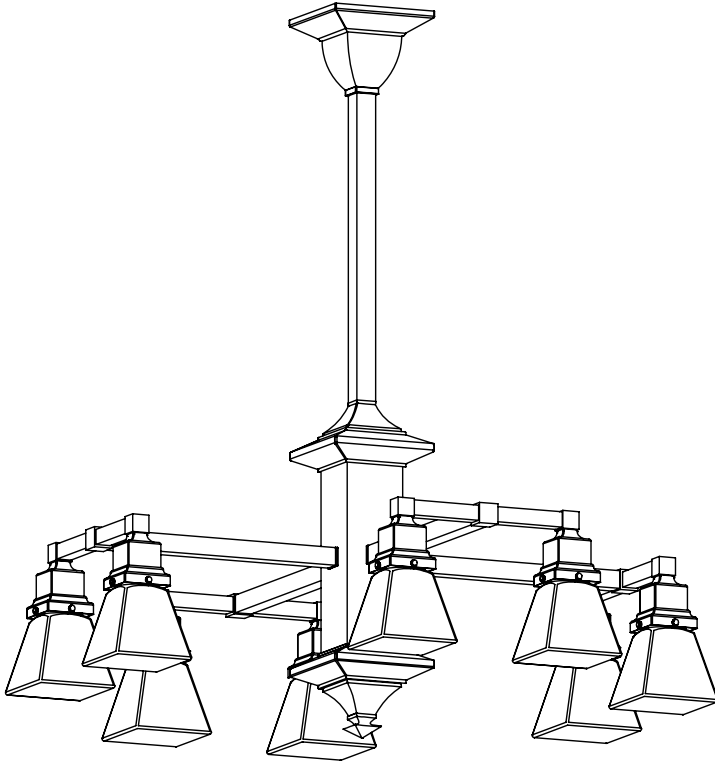


Hartford Family v1.0 page 4

HARTFORD™ EIGHT LIGHT CHANDELIER

WITH 2-1/4" SHADE HOLDERS DOWN

brasslightgallery.com 800-243-9595 sales@brasslight.com

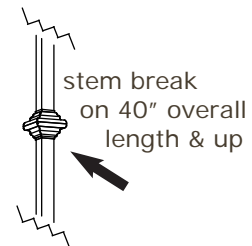


NEW
CLASSICS™
Handmade in USA

FINISHES - applied by hand.

Polished Nickel	Architectural Bronze
Brushed Nickel	Verdigris Patina
Black	Distressed Brass
Brushed Brass	Antique Copper
Polished Brass	Satin Antique Brass
Antique Nickel	Unlacquered Pol. Brass

Other finishes available for additional charge, inquire.



GR-436-B1-03M Shown with A101 shade(s)

Medium base screw-in sockets (8) each accept 150 W max incandescent, compact fluorescent, or LED.

GU24 base bi-pin socket available. 277V 4 pin socket alternative, inquire.

Check our website for alternative 2-1/4" shades.

Mounting plate center mounts to junction box.

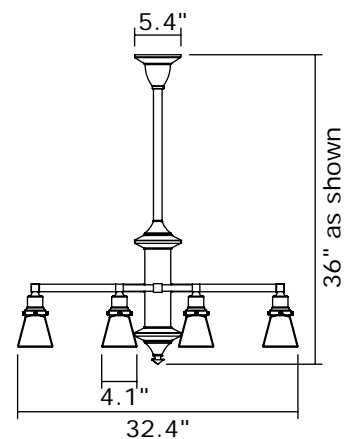
Specify overall length. Minimum overall length 24".

Angled ceiling version available, inquire.

UL listed dry location.

Durably constructed of solid brass.

Made in USA by Brass Light Gallery.



Hartford Family v1.0 page 5

BRASS LIGHT GALLERY
• MILWAUKEE •

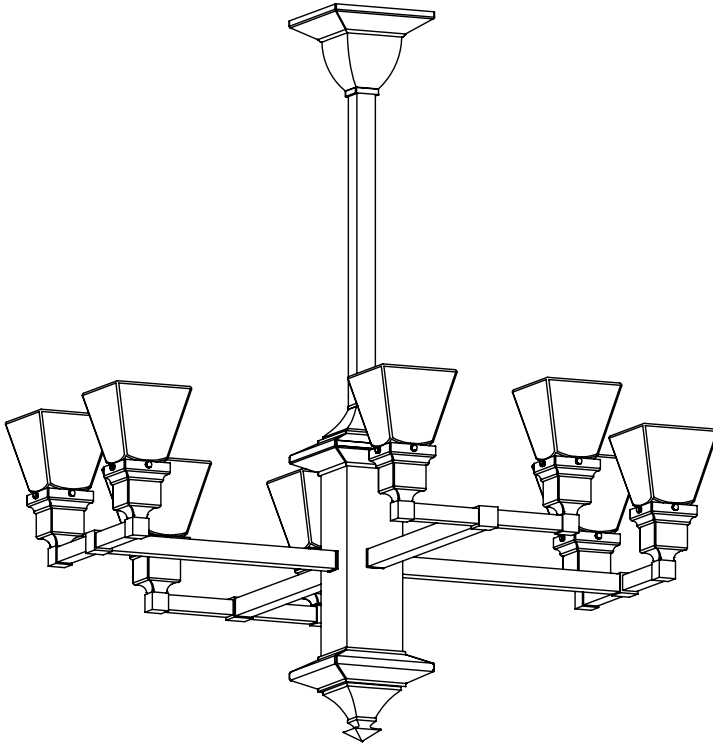
© 2013, Brass Light Gallery®

HARTFORD™ EIGHT LIGHT CHANDELIER

WITH 2-1/4" SHADE HOLDERS UP

brasslightgallery.com 800-243-9595 sales@brasslight.com

Hartford Family v1.0 page 6

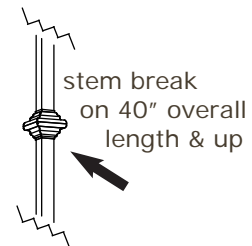


NEW CLASSICS™
Handmade in USA

FINISHES - applied by hand.

Polished Nickel	Architectural Bronze
Brushed Nickel	Verdigris Patina
Black	Distressed Brass
Brushed Brass	Antique Copper
Polished Brass	Satin Antique Brass
Antique Nickel	Unlacquered Pol. Brass

Other finishes available for additional charge, inquire.



GR-436-B1-09M Shown with A101 shade(s)

Medium base screw-in sockets (8) each accept 150 W max incandescent, compact fluorescent, or LED.

GU24 base bi-pin socket available. 277V 4 pin socket alternative, inquire.

Check our website for alternative 2-1/4" shades.

Mounting plate center mounts to junction box.

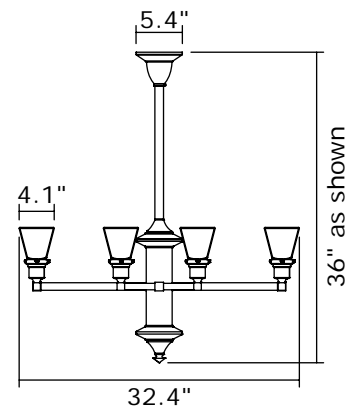
Specify overall length. Minimum overall length 24".

Angled ceiling version available, inquire.

UL listed dry location.

Durably constructed of solid brass.

Made in USA by Brass Light Gallery.



BRASS LIGHT GALLERY
• MILWAUKEE •

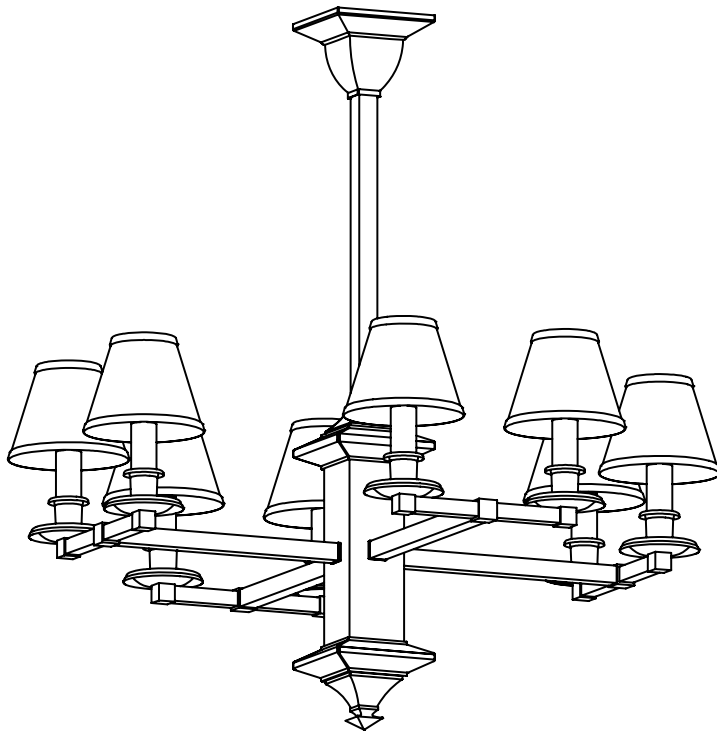
© 2013, Brass Light Gallery®

HARTFORD™ EIGHT LIGHT CHANDELIER

WITH ELECTRIC CANDLES

brasslightgallery.com 800-243-9595 sales@brasslight.com

Hartford Family v1.0 page 7

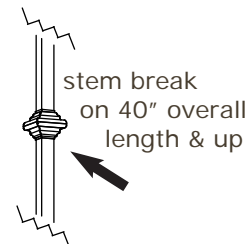


NEW CLASSICS™
Handmade in USA

FINISHES - applied by hand.

Polished Nickel	Architectural Bronze
Brushed Nickel	Verdigris Patina
Black	Distressed Brass
Brushed Brass	Antique Copper
Polished Brass	Satin Antique Brass
Antique Nickel	Unlacquered Pol. Brass

Other finishes available for additional charge, inquire.



GR-436-B7-09M Shown with E210 shade(s)

Medium base screw-in sockets (8) each accept 60 W max incandescent, compact fluorescent, or LED.

GU24 base bi-pin socket available. 277V 4 pin socket alternative, inquire.

Check online for alternative clip-on shades rated at 40 to 100 watts with this fixture.

Mounting plate center mounts to junction box.

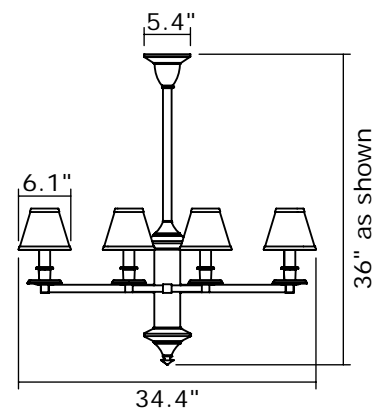
Specify overall length. Minimum overall length 24".

Angled ceiling version available, inquire.

UL listed dry location.

Durably constructed of solid brass.

Made in USA by Brass Light Gallery.



BRASS LIGHT GALLERY
• MILWAUKEE •

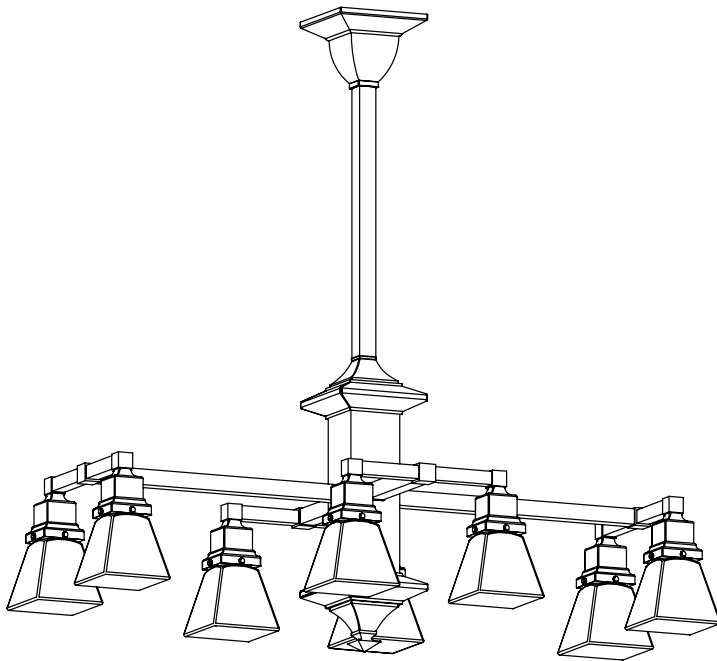
© 2013, Brass Light Gallery®

HARTFORD™ EIGHT LIGHT RECTANGULAR CHANDELIER

WITH 2-1/4" SHADE HOLDERS DOWN

brasslightgallery.com 800-243-9595 sales@brasslight.com

Hartford Family v1.0 page 8



NEW CLASSICS™
Handmade in USA

FINISHES - applied by hand.

Polished Nickel	Architectural Bronze
Brushed Nickel	Verdigris Patina
Black	Distressed Brass
Brushed Brass	Antique Copper
Polished Brass	Satin Antique Brass
Antique Nickel	Unlacquered Pol. Brass

Other finishes available for additional charge, inquire.

GR-438-B1-03M Shown with A101 shade(s)

Medium base screw-in sockets (8) each accept 150 W max incandescent, compact fluorescent, or LED.

GU24 base bi-pin socket available. 277V 4 pin socket alternative, inquire.

Check our website for alternative 2-1/4" shades.

Mounting plate center mounts to junction box.

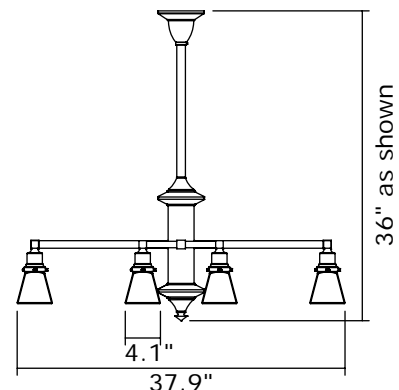
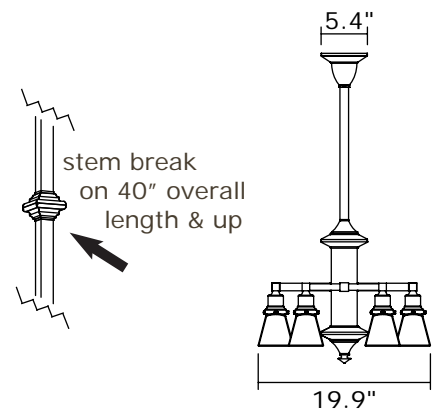
Specify overall length. Minimum overall length 24".

Angled ceiling version available, inquire.

UL listed dry location.

Durably constructed of solid brass.

Made in USA by Brass Light Gallery.

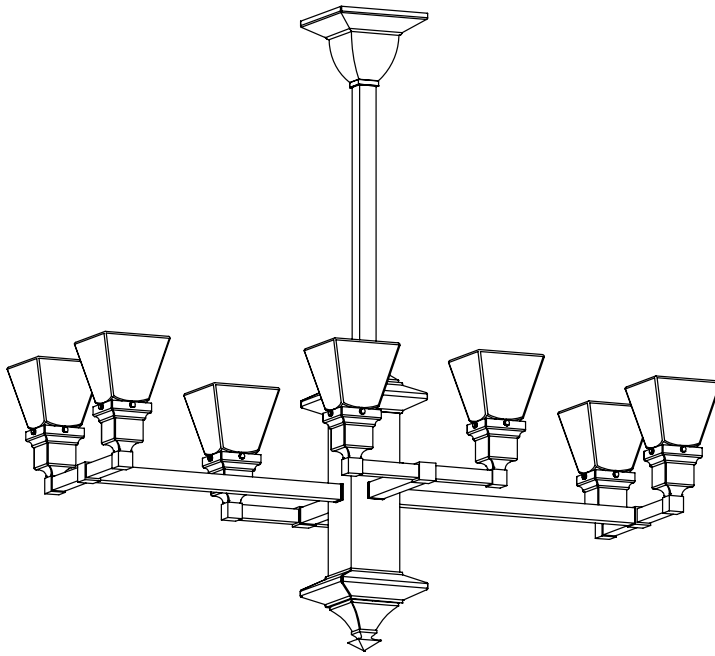


HARTFORD™ EIGHT LIGHT RECTANGULAR CHANDELIER

WITH 2-1/4" SHADE HOLDERS UP

brasslightgallery.com 800-243-9595 sales@brasslight.com

Hartford Family v1.0 page 9



**NEW
CLASSICS™**
Handmade in USA

FINISHES - applied by hand.

Polished Nickel	Architectural Bronze
Brushed Nickel	Verdigris Patina
Black	Distressed Brass
Brushed Brass	Antique Copper
Polished Brass	Satin Antique Brass
Antique Nickel	Unlacquered Pol. Brass

Other finishes available for additional charge, inquire.

GR-438-B1-09M Shown with A101 shade(s)

Medium base screw-in sockets (8) each accept 150 W max incandescent, compact fluorescent, or LED.

GU24 base bi-pin socket available. 277V 4 pin socket alternative, inquire.

Check our website for alternative 2-1/4" shades.

Mounting plate center mounts to junction box.

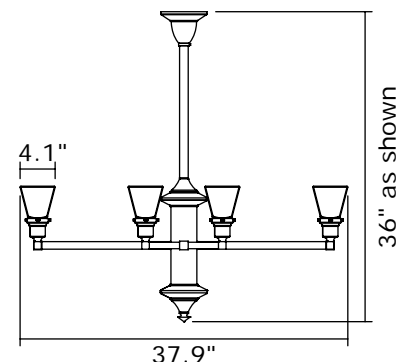
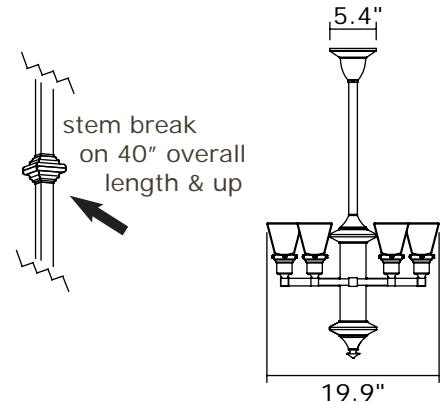
Specify overall length. Minimum overall length 24".

Angled ceiling version available, inquire.

UL listed dry location.

Durably constructed of solid brass.

Made in USA by Brass Light Gallery.



BRASS LIGHT GALLERY
• MILWAUKEE •

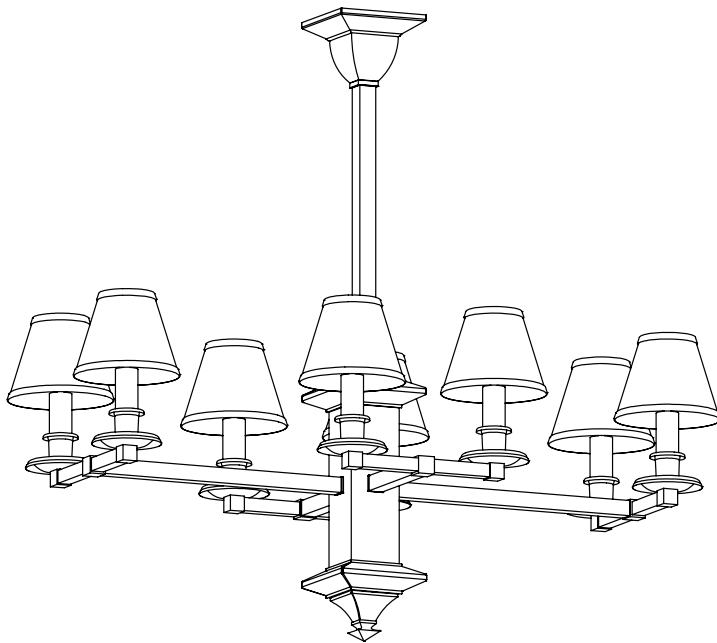
© 2013, Brass Light Gallery®

HARTFORD™ EIGHT LIGHT RECTANGULAR CHANDELIER

WITH ELECTRIC CANDLES

brasslightgallery.com 800-243-9595 sales@brasslight.com

Hartford Family v1.0 page 10



NEW CLASSICS™
Handmade in USA

FINISHES - applied by hand.

Polished Nickel	Architectural Bronze
Brushed Nickel	Verdigris Patina
Black	Distressed Brass
Brushed Brass	Antique Copper
Polished Brass	Satin Antique Brass
Antique Nickel	Unlacquered Pol. Brass

Other finishes available for additional charge, inquire.

GR-438-B7-09M Shown with E210 shade(s)

Medium base screw-in sockets (8) each accept 60 W max incandescent, compact fluorescent, or LED.

GU24 base bi-pin socket available. 277V 4 pin socket alternative, inquire.

Check online for alternative clip-on shades rated at 40 to 100 watts with this fixture.

Mounting plate center mounts to junction box.

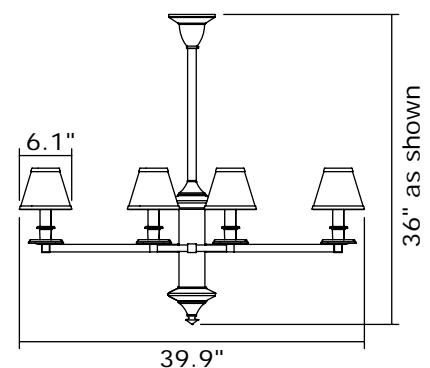
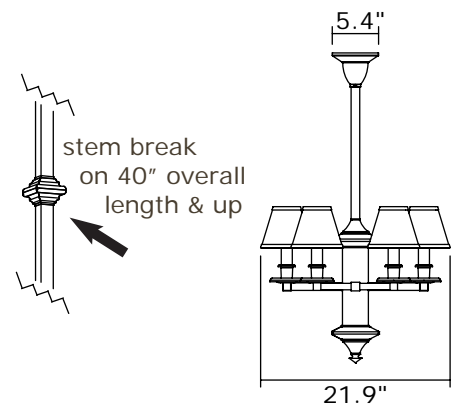
Specify overall length. Minimum overall length 24".

Angled ceiling version available, inquire.

UL listed dry location.

Durably constructed of solid brass.

Made in USA by Brass Light Gallery.

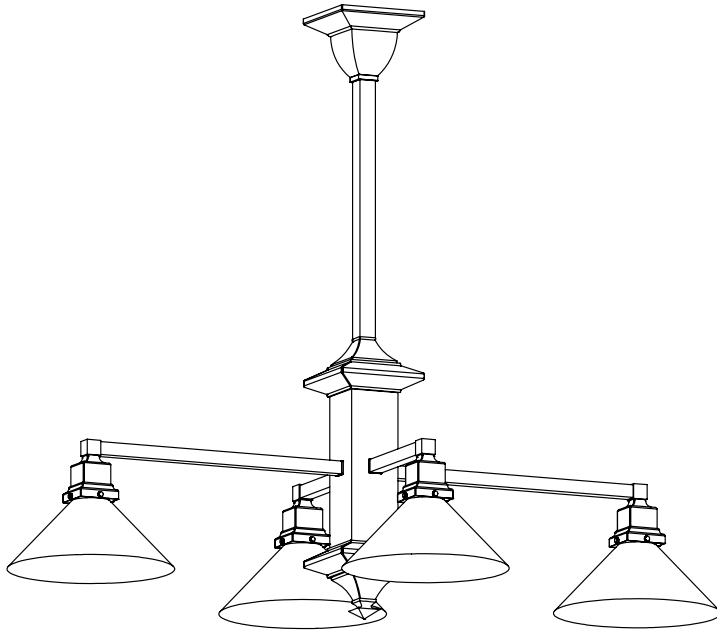


HARTFORD™ FOUR LIGHT RECTANGULAR CHANDELIER

WITH 2-1/4" SHADE HOLDERS DOWN

brasslightgallery.com 800-243-9595 sales@brasslight.com

NEW CLASSICS™
Handmade in USA



FINISHES - applied by hand.

Polished Nickel	Architectural Bronze
Brushed Nickel	Verdigris Patina
Black	Distressed Brass
Brushed Brass	Antique Copper
Polished Brass	Satin Antique Brass
Antique Nickel	Unlacquered Pol. Brass

Other finishes available for additional charge, inquire.

GR-450-B1-03M Shown with A156 shade(s)

Medium base screw-in sockets (4) each accept 150 W max incandescent, compact fluorescent, or LED.

GU24 base bi-pin socket available. 277V 4 pin socket alternative, inquire.

Check our website for alternative 2-1/4" shades.

Mounting plate center mounts to junction box.

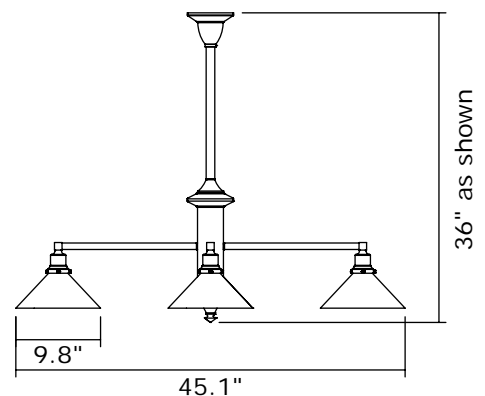
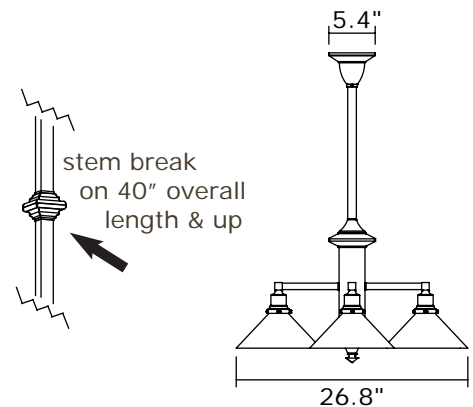
Specify overall length. Minimum overall length 24".

Angled ceiling version available, inquire.

UL listed dry location.

Durably constructed of solid brass.

Made in USA by Brass Light Gallery.



Hartford Family v1.0 page 11