

GLEN ELLYN™ FAMILY

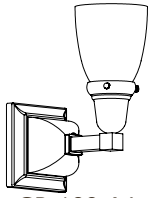
The Glen Ellyn Family of light fixtures offers timeless design, functional interior lighting, and solid construction, featuring a combination of round and square design elements. The family includes sconces, pendants, and chandeliers for lighting a variety of interior spaces.



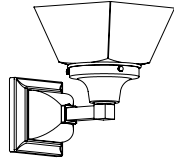
NEW
CLASSICS™
Handmade in USA

GLEN ELLYN™ FAMILY

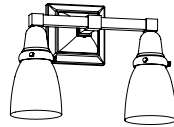
INTERIOR LIGHTING FIXTURES



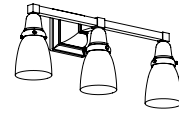
GR-100-A4



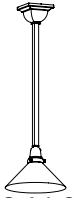
GR-100-A6



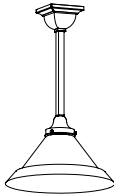
GR-102-A4



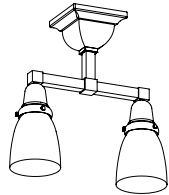
GR-103-A4



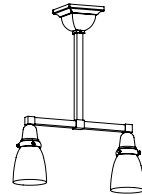
GR-408-A4-03M



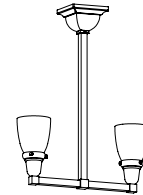
GR-408-A5-03M



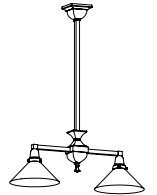
GR-412-A4-03M



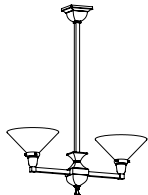
GR-413-A4-03M



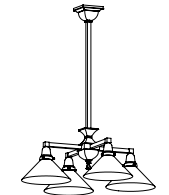
GR-413-A4-09M



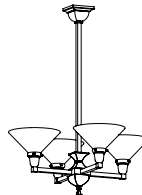
GR-422-A4-03M



GR-422-A4-09M



GR-424-A4-03M



GR-424-A4-09M

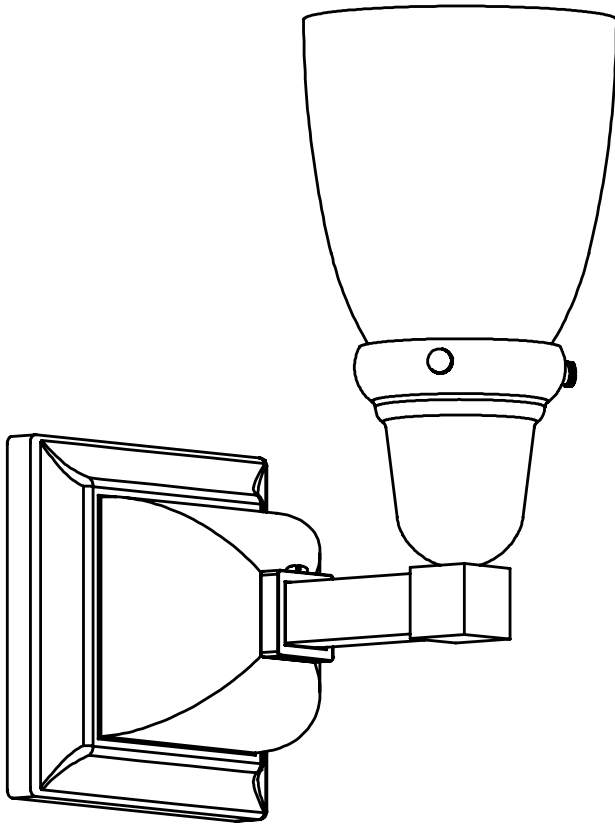
brasslightgallery.com 800-243-9595 sales@brasslight.com

GlenEllyn Family V1.0 page 2

GLEN ELLYN™ ONE LIGHT STRAIGHT ARM SCONCE

WITH 2-1/4" SHADE HOLDER

brasslightgallery.com 800-243-9595 sales@brasslight.com



**NEW
CLASSICS™**
Handmade in USA

FINISHES - applied by hand.

Polished Nickel	Architectural Bronze
Brushed Nickel	Verdigris Patina
Black	Distressed Brass
Brushed Brass	Antique Copper
Polished Brass	Satin Antique Brass
Antique Nickel	Unlacquered Pol. Brass

Other finishes available for additional charge, inquire.

GR-100-A4 Shown with A157 shade(s)

Medium base screw-in socket (1) accepts 150 W max incandescent, compact fluorescent, or LED.

GU24 base bi-pin socket available. 277V 4 pin socket alternative, inquire.

Check our website for alternative 2-1/4" shades.

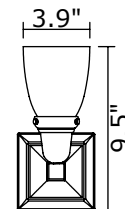
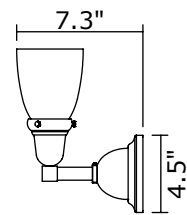
Mounting plate center mounts to junction box.

Mount glass up or glass down.

UL listed dry location. Damp location available, inquire.

Durably constructed of solid brass.

Made in USA by Brass Light Gallery.



GlenEllyn Family V1.0 page 3

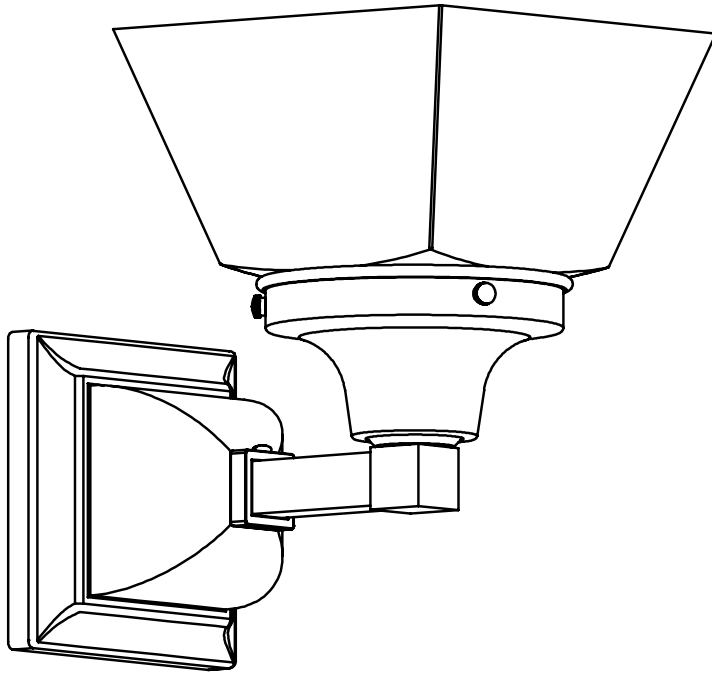
BRASS LIGHT GALLERY
• MILWAUKEE •

© 2013, Brass Light Gallery®

GLEN ELLYN™ ONE LIGHT STRAIGHT ARM SCONCE

WITH 4-1/4" SHADE HOLDER

brasslightgallery.com 800-243-9595 sales@brasslight.com



**NEW
CLASSICS™**
Handmade in USA

FINISHES - applied by hand.

Polished Nickel	Architectural Bronze
Brushed Nickel	Verdigris Patina
Black	Distressed Brass
Brushed Brass	Antique Copper
Polished Brass	Satin Antique Brass
Antique Nickel	Unlacquered Pol. Brass

Other finishes available for additional charge, inquire.

GR-100-A6 Shown with C102 shade(s)

Medium base screw-in socket (1) accepts 150 W max incandescent, compact fluorescent, or LED.

GU24 base bi-pin socket available. 277V 4 pin socket alternative, inquire.

Check our website for alternative 4-1/4" shades.

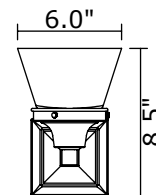
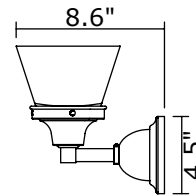
Mounting plate center mounts to junction box.

Mount glass up or glass down.

UL listed dry location. Damp location available, inquire.

Durably constructed of solid brass.

Made in USA by Brass Light Gallery.



GlenEllyn Family V1.0 page 4

BRASS LIGHT GALLERY
• MILWAUKEE •

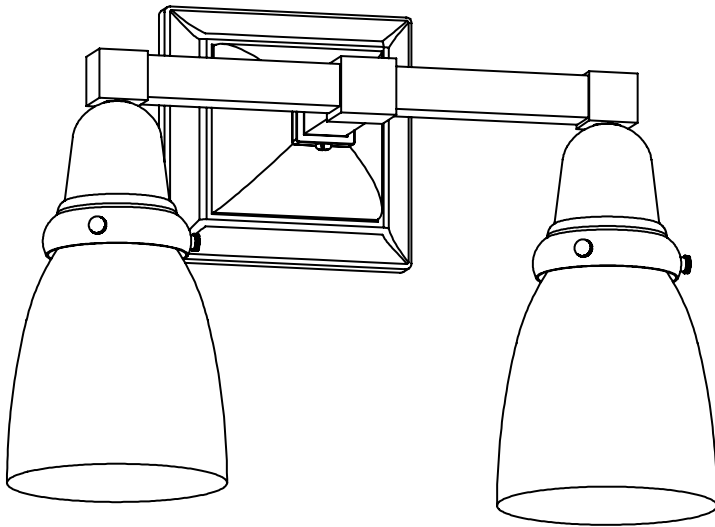
© 2013, Brass Light Gallery®

GLEN ELLYN™ TWO LIGHT STRAIGHT ARM SCONCE

WITH 2-1/4" SHADE HOLDERS

brasslightgallery.com 800-243-9595 sales@brasslight.com

GlenEllyn Family V1.0 page 5



**NEW
CLASSICS™**
Handmade in USA

FINISHES - applied by hand.

Polished Nickel	Architectural Bronze
Brushed Nickel	Verdigris Patina
Black	Distressed Brass
Brushed Brass	Antique Copper
Polished Brass	Satin Antique Brass
Antique Nickel	Unlacquered Pol. Brass

Other finishes available for additional charge, inquire.

GR-102-A4 Shown with A157 shade(s)

Medium base screw-in sockets (2) each accept 150 W max incandescent, compact fluorescent, or LED.

GU24 base bi-pin socket available. 277V 4 pin socket alternative, inquire.

Check our website for alternative 2-1/4" shades.

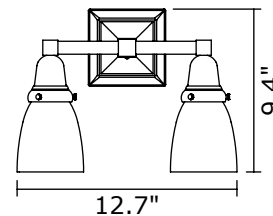
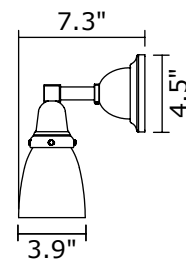
Mounting plate center mounts to junction box.

Mount glass up or glass down.

UL listed dry location. Damp location available, inquire.

Durably constructed of solid brass.

Made in USA by Brass Light Gallery.



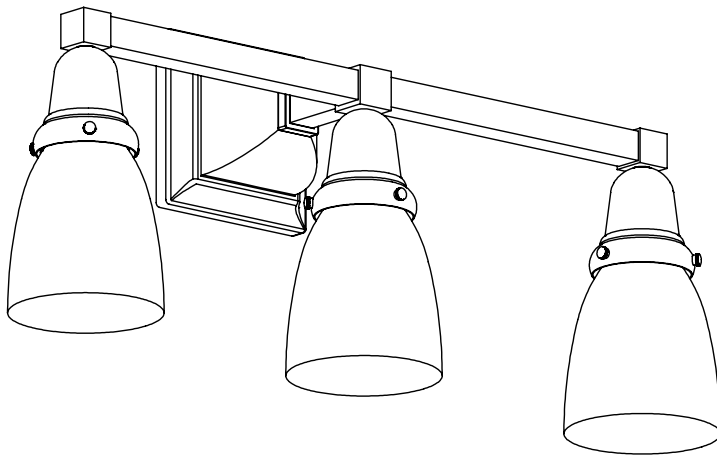
GLEN ELLYN™ THREE LIGHT STRAIGHT ARM SCONCE

WITH 2-1/4" SHADE HOLDERS

brasslightgallery.com 800-243-9595 sales@brasslight.com

GlenEllyn Family V1.0 page 6

**NEW
CLASSICS™**
Handmade in USA



FINISHES - applied by hand.

Polished Nickel	Architectural Bronze
Brushed Nickel	Verdigris Patina
Black	Distressed Brass
Brushed Brass	Antique Copper
Polished Brass	Satin Antique Brass
Antique Nickel	Unlacquered Pol. Brass

Other finishes available for additional charge, inquire.

GR-103-A4 Shown with A157 shade(s)

Medium base screw-in sockets (3) each accept 150 W max incandescent, compact fluorescent, or LED.

GU24 base bi-pin socket available. 277V 4 pin socket alternative, inquire.

Check our website for alternative 2-1/4" shades.

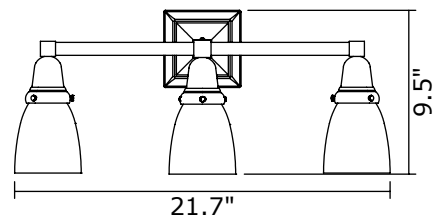
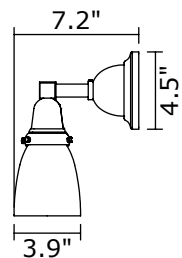
Mounting plate center mounts to junction box.

Mount glass up or glass down.

UL listed dry location. Damp location available, inquire.

Durably constructed of solid brass.

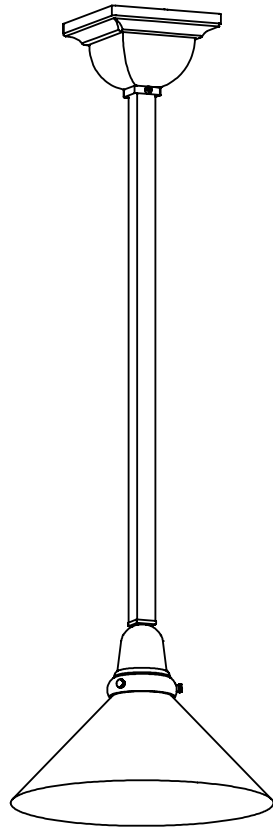
Made in USA by Brass Light Gallery.



GLEN ELLYN™ ONE LIGHT PENDANT

WITH 2-1/4" SHADE HOLDER

brasslightgallery.com 800-243-9595 sales@brasslight.com

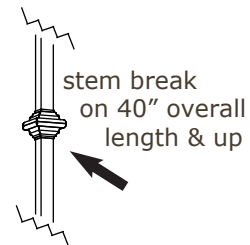


**NEW
CLASSICS™**
Handmade in USA

FINISHES - applied by hand.

Polished Nickel	Architectural Bronze
Brushed Nickel	Verdigris Patina
Black	Distressed Brass
Brushed Brass	Antique Copper
Polished Brass	Satin Antique Brass
Antique Nickel	Unlacquered Pol. Brass

Other finishes available for additional charge, inquire.



GR-408-A4-03M

Medium base screw-in socket (1) accepts 150 W max incandescent, compact fluorescent, or LED.

GU24 base bi-pin socket available. 277V 4 pin socket alternative, inquire.

Check our website for alternative 2-1/4" shades.

Mounting plate center mounts to junction box.

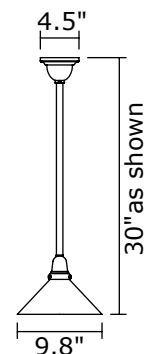
Specify overall length. Minimum overall length 12".

Angled ceiling version available, inquire.

UL listed dry location. Damp location available, inquire.

Durably constructed of solid brass.

Made in USA by Brass Light Gallery.



GlenEllyn Family V1.0 page 7

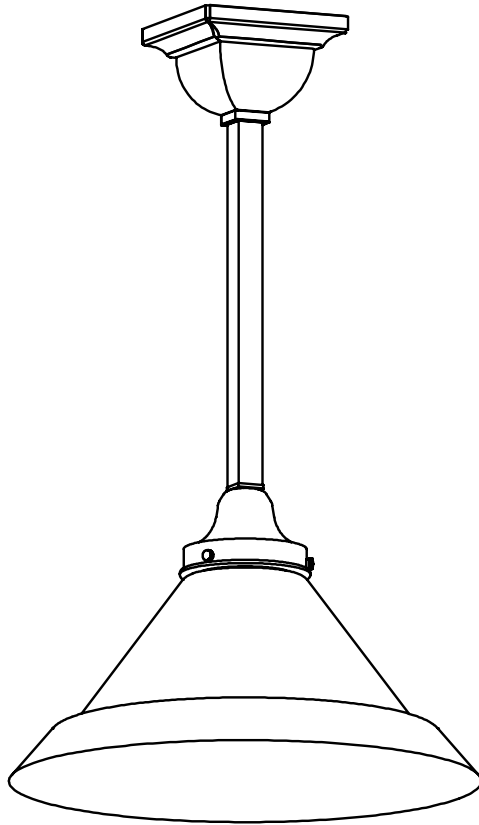
BRASS LIGHT GALLERY
• MILWAUKEE •

© 2013, Brass Light Gallery®

GLEN ELLYN™ ONE LIGHT PENDANT

WITH 3-1/4" SHADE HOLDER

brasslightgallery.com 800-243-9595 sales@brasslight.com

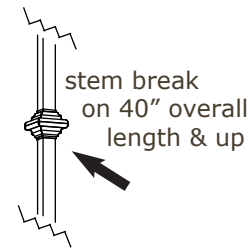


**NEW
CLASSICS™**
Handmade in USA

FINISHES - applied by hand.

Polished Nickel	Architectural Bronze
Brushed Nickel	Verdigris Patina
Black	Distressed Brass
Brushed Brass	Antique Copper
Polished Brass	Satin Antique Brass
Antique Nickel	Unlacquered Pol. Brass

Other finishes available for additional charge, inquire.



GR-408-A5-03M Shown with B345 shade(s)

Medium base screw-in socket (1) accepts 150 W max incandescent, compact fluorescent, or LED.

GU24 base bi-pin socket available. 277V 4 pin socket alternative, inquire.

Check our website for alternative 3-1/4" shades.

Mounting plate center mounts to junction box.

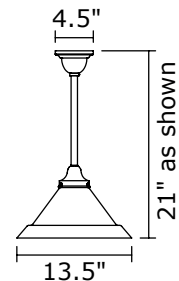
Specify overall length. Minimum overall length 13".

Angled ceiling version available, inquire.

UL listed dry location. Damp location available, inquire.

Durably constructed of solid brass.

Made in USA by Brass Light Gallery.



GlenEllyn Family V1.0 page 8

BRASS LIGHT GALLERY
• MILWAUKEE •

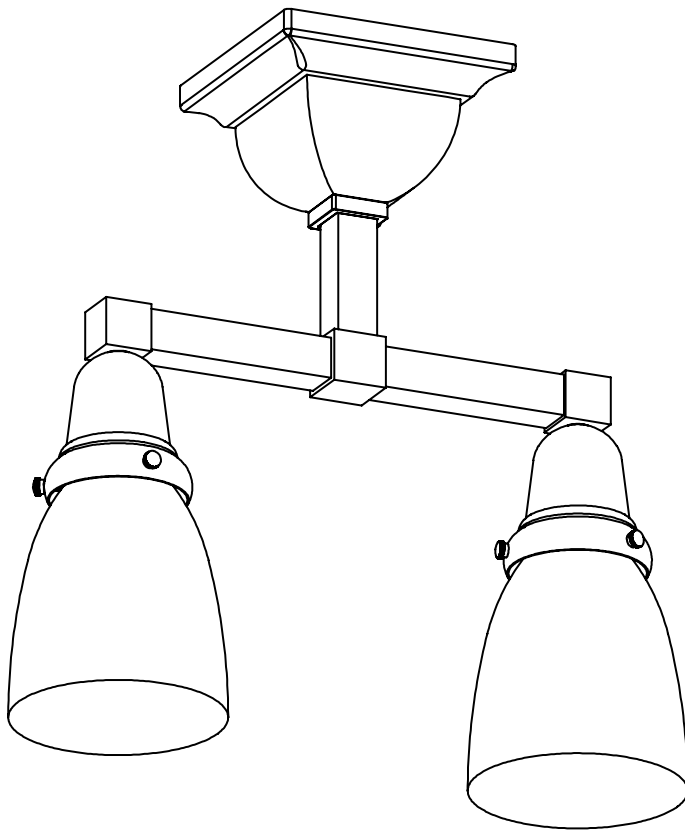
© 2013, Brass Light Gallery®

GLEN ELLYN™ TWO LIGHT SEMI FLUSH CEILING FIXTURE

WITH 2-1/4" SHADE HOLDERS

brasslightgallery.com 800-243-9595 sales@brasslight.com

GlenEllyn Family V1.0 page 9

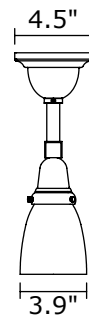


**NEW
CLASSICS™**
Handmade in USA

FINISHES - applied by hand.

Polished Nickel	Architectural Bronze
Brushed Nickel	Verdigris Patina
Black	Distressed Brass
Brushed Brass	Antique Copper
Polished Brass	Satin Antique Brass
Antique Nickel	Unlacquered Pol. Brass

Other finishes available for additional charge, inquire.



GR-412-A4-03M Shown with A157 shade(s)

Medium base screw-in sockets (2) each accept 150 W max incandescent, compact fluorescent, or LED.

GU24 base bi-pin socket available. 277V 4 pin socket alternative, inquire.

Check our website for alternative 2-1/4" shades.

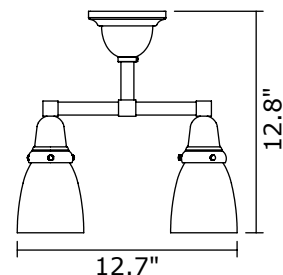
Mounting plate center mounts to junction box.

Angled ceiling version available, inquire.

UL listed dry location. Damp location available, inquire.

Durably constructed of solid brass.

Made in USA by Brass Light Gallery.



BRASS LIGHT GALLERY
• MILWAUKEE •

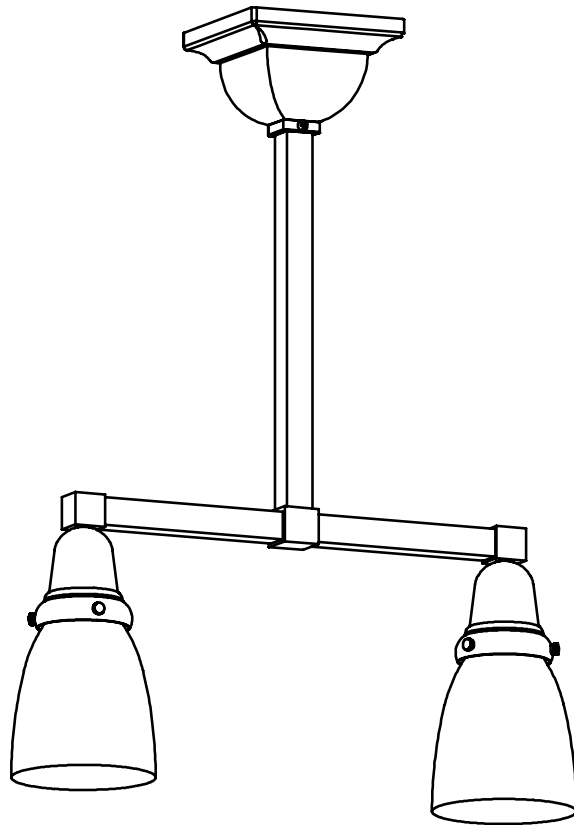
© 2013, Brass Light Gallery®

GLEN ELLYN™ TWO LIGHT PENDANT

WITH 2-1/4" SHADE HOLDERS DOWN

brasslightgallery.com 800-243-9595 sales@brasslight.com

GlenEllyn Family V1.0 page 10



NEW CLASSICS™
Handmade in USA

FINISHES - applied by hand.

Polished Nickel	Architectural Bronze
Brushed Nickel	Verdigris Patina
Black	Distressed Brass
Brushed Brass	Antique Copper
Polished Brass	Satin Antique Brass
Antique Nickel	Unlacquered Pol. Brass

Other finishes available for additional charge, inquire.

GR-413-A4-03M Shown with A157 shade(s)

Medium base screw-in sockets (2) each accept 150 W max incandescent, compact fluorescent, or LED.

GU24 base bi-pin socket available. 277V 4 pin socket alternative, inquire.

Check our website for alternative 2-1/4" shades.

Mounting plate center mounts to junction box.

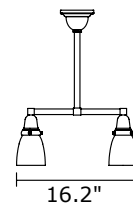
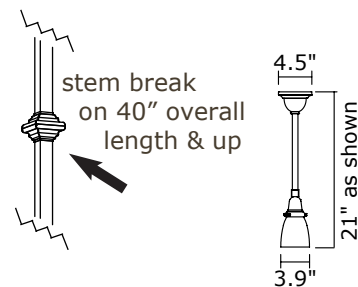
Specify overall length. Minimum overall length 12".

Angled ceiling version available, inquire.

UL listed dry location. Damp location available, inquire.

Durably constructed of solid brass.

Made in USA by Brass Light Gallery.



BRASS LIGHT GALLERY
• MILWAUKEE •

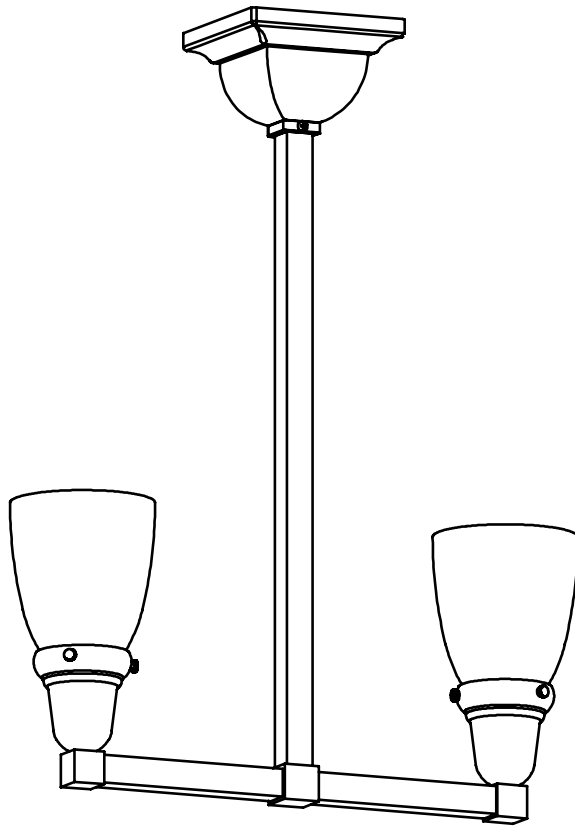
© 2013, Brass Light Gallery®

GLEN ELLYN™ TWO LIGHT PENDANT

WITH 2-1/4" SHADE HOLDERS UP

brasslightgallery.com 800-243-9595 sales@brasslight.com

GlenEllyn Family V1.0 page 11



**NEW
CLASSICS™**
Handmade in USA

FINISHES - applied by hand.

Polished Nickel	Architectural Bronze
Brushed Nickel	Verdigris Patina
Black	Distressed Brass
Brushed Brass	Antique Copper
Polished Brass	Satin Antique Brass
Antique Nickel	Unlacquered Pol. Brass

Other finishes available for additional charge, inquire.

GR-413-A4-09M Shown with A157 shade(s)

Medium base screw-in sockets (2) each accept 150 W max incandescent, compact fluorescent, or LED.

GU24 base bi-pin socket available. 277V 4 pin socket alternative, inquire.

Check our website for alternative 2-1/4" shades.

Mounting plate center mounts to junction box.

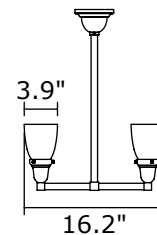
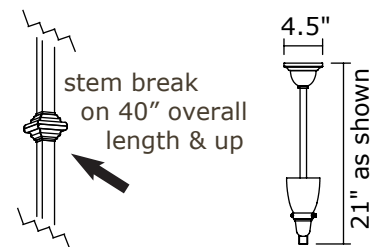
Specify overall length. Minimum overall length 12".

Angled ceiling version available, inquire.

UL listed dry location. Damp location available, inquire.

Durably constructed of solid brass.

Made in USA by Brass Light Gallery.

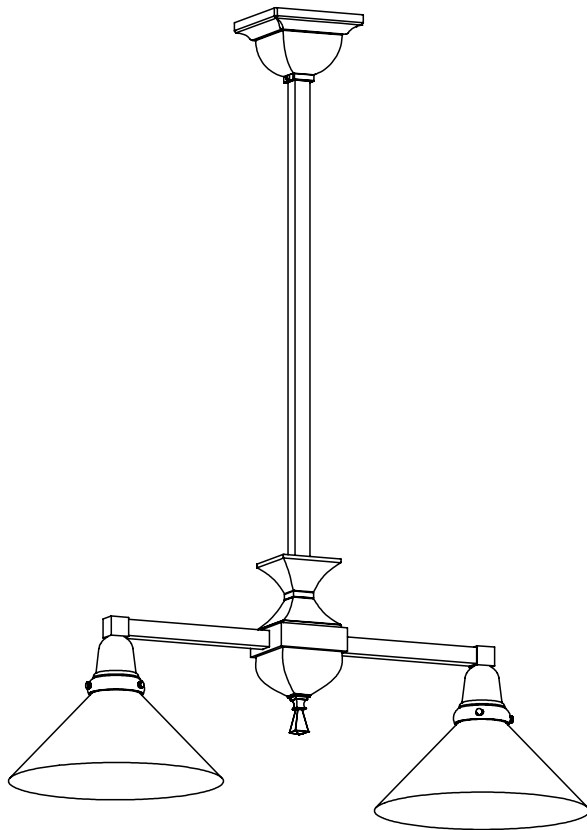


GLEN ELLYN™ TWO LIGHT CHANDELIER

WITH 2-1/4" SHADE HOLDERS DOWN

brasslightgallery.com 800-243-9595 sales@brasslight.com

GlenEllyn Family V1.0 page 12



NEW CLASSICS™
Handmade in USA

FINISHES - applied by hand.

Polished Nickel	Architectural Bronze
Brushed Nickel	Verdigris Patina
Black	Distressed Brass
Brushed Brass	Antique Copper
Polished Brass	Satin Antique Brass
Antique Nickel	Unlacquered Pol. Brass

Other finishes available for additional charge, inquire.

GR-422-A4-03M Shown with A156 shade(s)

Medium base screw-in sockets (2) each accept 150 W max incandescent, compact fluorescent, or LED.

GU24 base bi-pin socket available. 277V 4 pin socket alternative, inquire.

Check our website for alternative 2-1/4" shades.

Mounting plate center mounts to junction box.

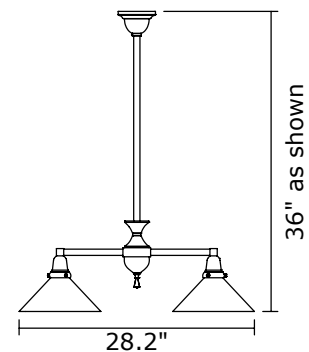
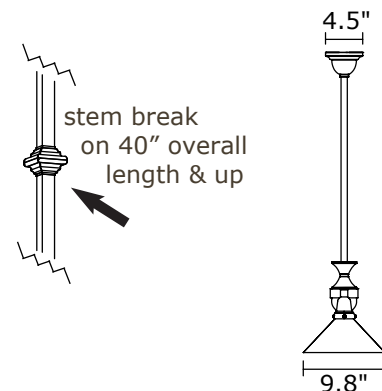
Specify overall length. Minimum overall length 16".

Angled ceiling version available, inquire.

UL listed dry location.

Durably constructed of solid brass.

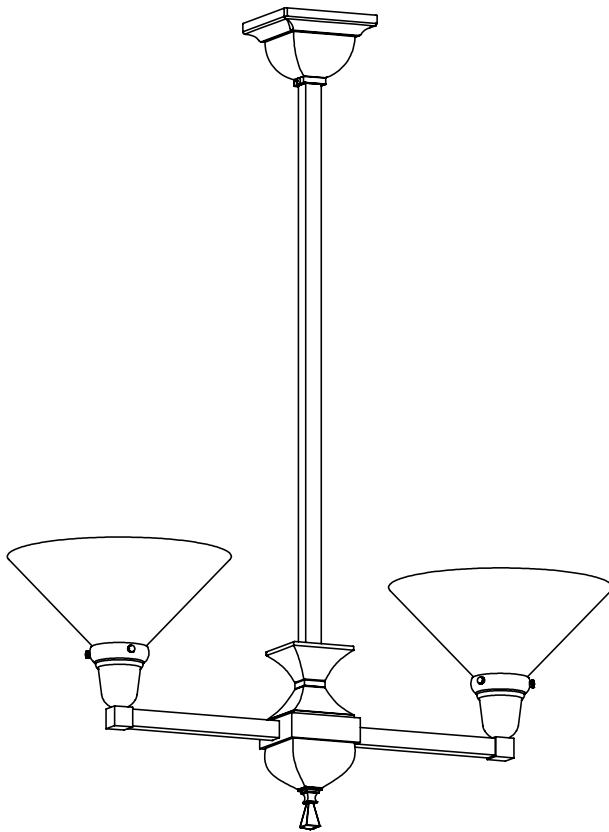
Made in USA by Brass Light Gallery.



GLEN ELLYN™ TWO LIGHT CHANDELIER

WITH 2-1/4" SHADE HOLDERS UP

brasslightgallery.com 800-243-9595 sales@brasslight.com



NEW CLASSICS™
Handmade in USA

FINISHES - applied by hand.

Polished Nickel	Architectural Bronze
Brushed Nickel	Verdigris Patina
Black	Distressed Brass
Brushed Brass	Antique Copper
Polished Brass	Satin Antique Brass
Antique Nickel	Unlacquered Pol. Brass

Other finishes available for additional charge, inquire.

GR-422-A4-09M Shown with A156 shade(s)

Medium base screw-in sockets (2) each accept 150 W max incandescent, compact fluorescent, or LED.

GU24 base bi-pin socket available. 277V 4 pin socket alternative, inquire.

Check our website for alternative 2-1/4" shades.

Mounting plate center mounts to junction box.

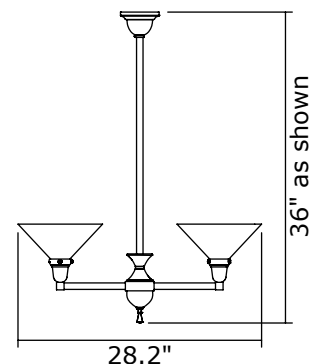
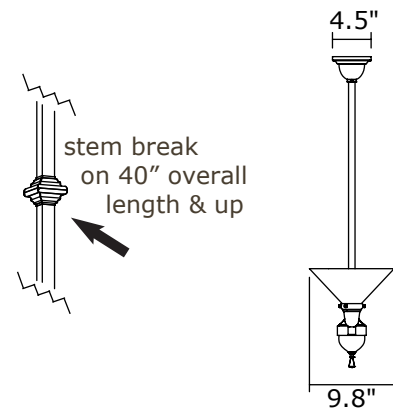
Specify overall length. Minimum overall length 15".

Angled ceiling version available, inquire.

UL listed dry location.

Durably constructed of solid brass.

Made in USA by Brass Light Gallery.

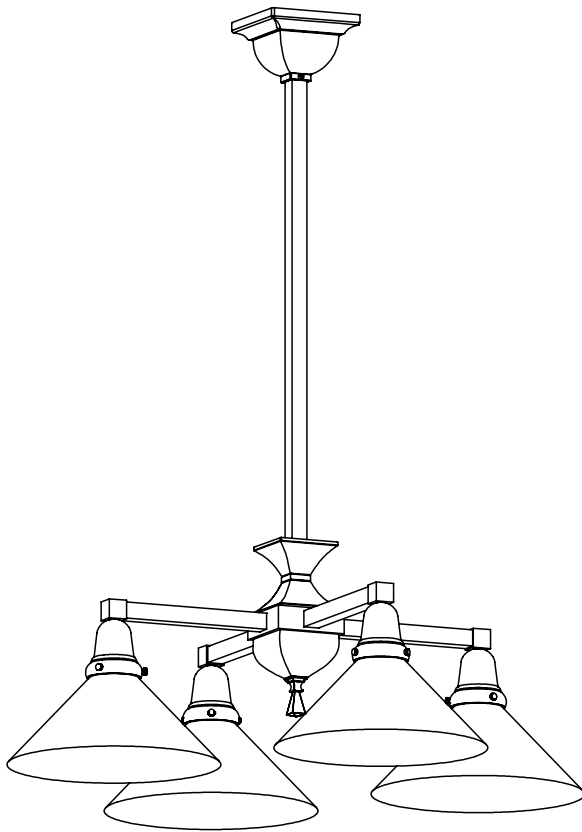


GlenEllyn Family V1.0 page 13

GLEN ELLYN™ FOUR LIGHT CHANDELIER

WITH 2-1/4" SHADE HOLDERS DOWN

brasslightgallery.com 800-243-9595 sales@brasslight.com

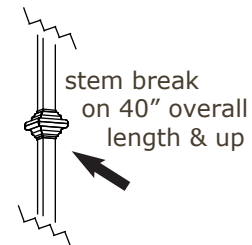


**NEW
CLASSICS™**
Handmade in USA

FINISHES - applied by hand.

Polished Nickel	Architectural Bronze
Brushed Nickel	Verdigris Patina
Black	Distressed Brass
Brushed Brass	Antique Copper
Polished Brass	Satin Antique Brass
Antique Nickel	Unlacquered Pol. Brass

Other finishes available for additional charge, inquire.



GR-424-A4-03M Shown with A156 shade(s)

Medium base screw-in sockets (4) each accept 150 W max incandescent, compact fluorescent, or LED.

GU24 base bi-pin socket available. 277V 4 pin socket alternative, inquire.

Check our website for alternative 2-1/4" shades.

Mounting plate center mounts to junction box.

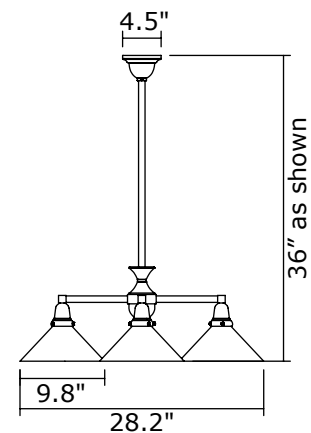
Specify overall length. Minimum overall length 16".

Angled ceiling version available, inquire.

UL listed dry location.

Durably constructed of solid brass.

Made in USA by Brass Light Gallery.



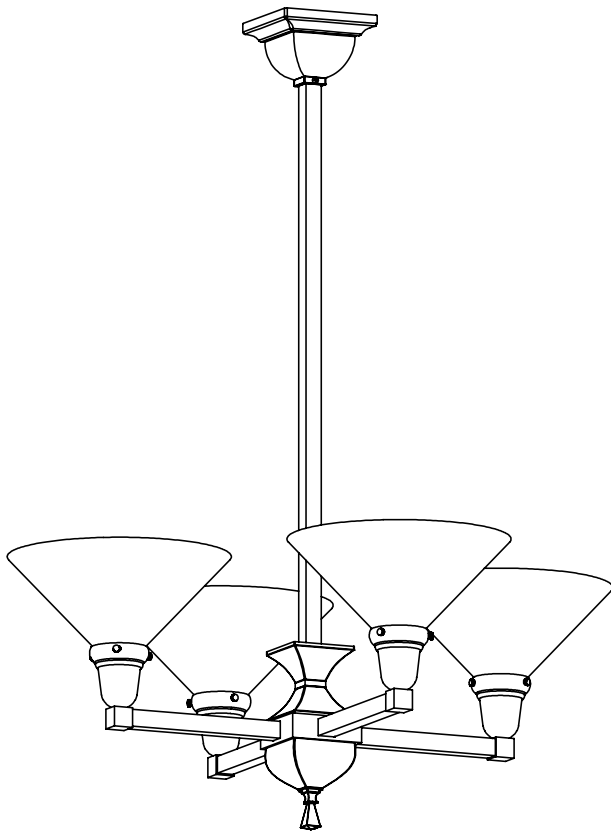
GlenEllyn Family V1.0 page 14

GLEN ELLYN™ FOUR LIGHT CHANDELIER

WITH 2-1/4" SHADE HOLDERS UP

brasslightgallery.com 800-243-9595 sales@brasslight.com

GlenEllyn Family V1.0 page 15

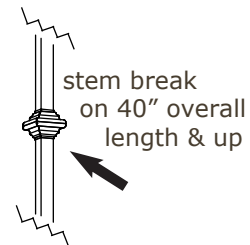


**NEW
CLASSICS™**
Handmade in USA

FINISHES - applied by hand.

Polished Nickel	Architectural Bronze
Brushed Nickel	Verdigris Patina
Black	Distressed Brass
Brushed Brass	Antique Copper
Polished Brass	Satin Antique Brass
Antique Nickel	Unlacquered Pol. Brass

Other finishes available for additional charge, inquire.



GR-424-A4-09M Shown with A156 shade(s)

Medium base screw-in sockets (4) each accept 150 W max incandescent, compact fluorescent, or LED.

GU24 base bi-pin socket available. 277V 4 pin socket alternative, inquire.

Check our website for alternative 2-1/4" shades.

Mounting plate center mounts to junction box.

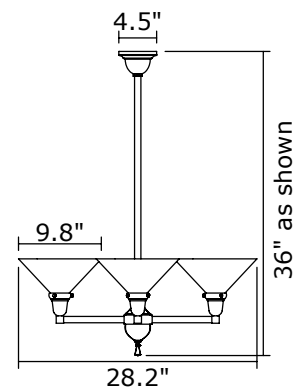
Specify overall length. Minimum overall length 15".

Angled ceiling version available, inquire.

UL listed dry location.

Durably constructed of solid brass.

Made in USA by Brass Light Gallery.



BRASS LIGHT GALLERY
• MILWAUKEE •

© 2013, Brass Light Gallery®