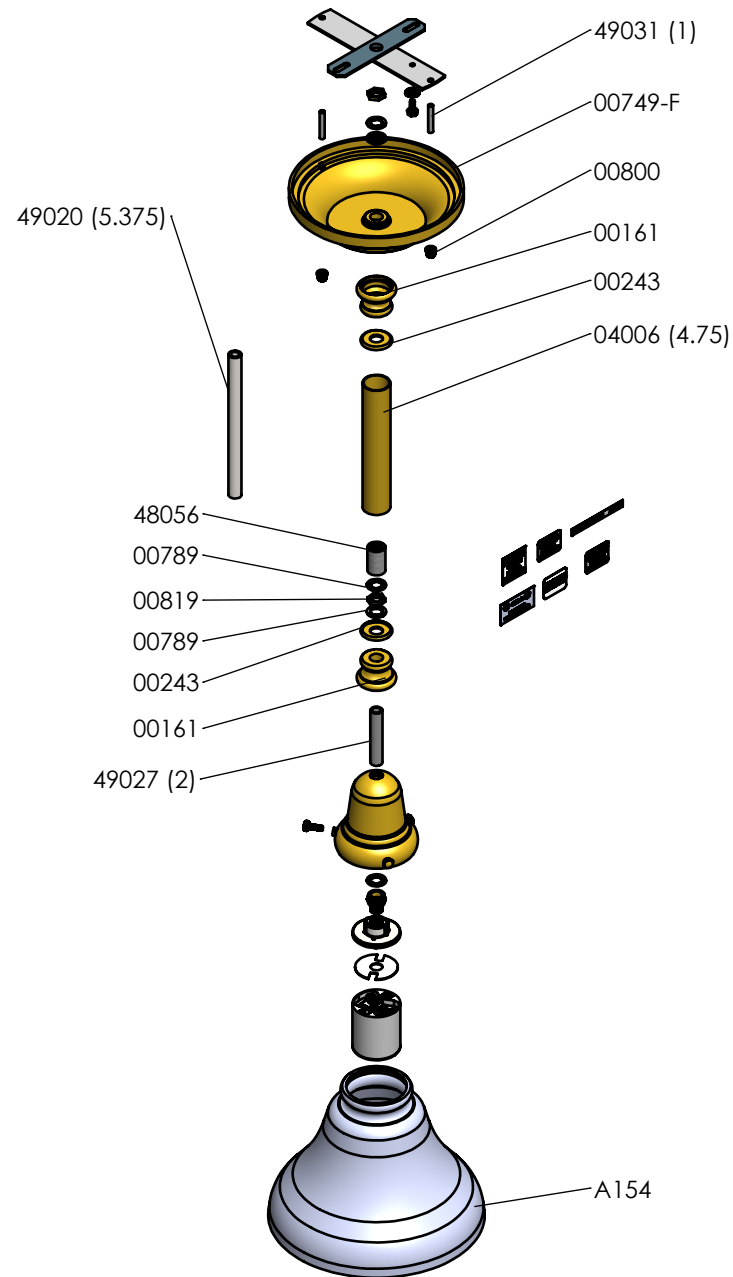


CN-415-A4-03M  
EXPLODED VIEW



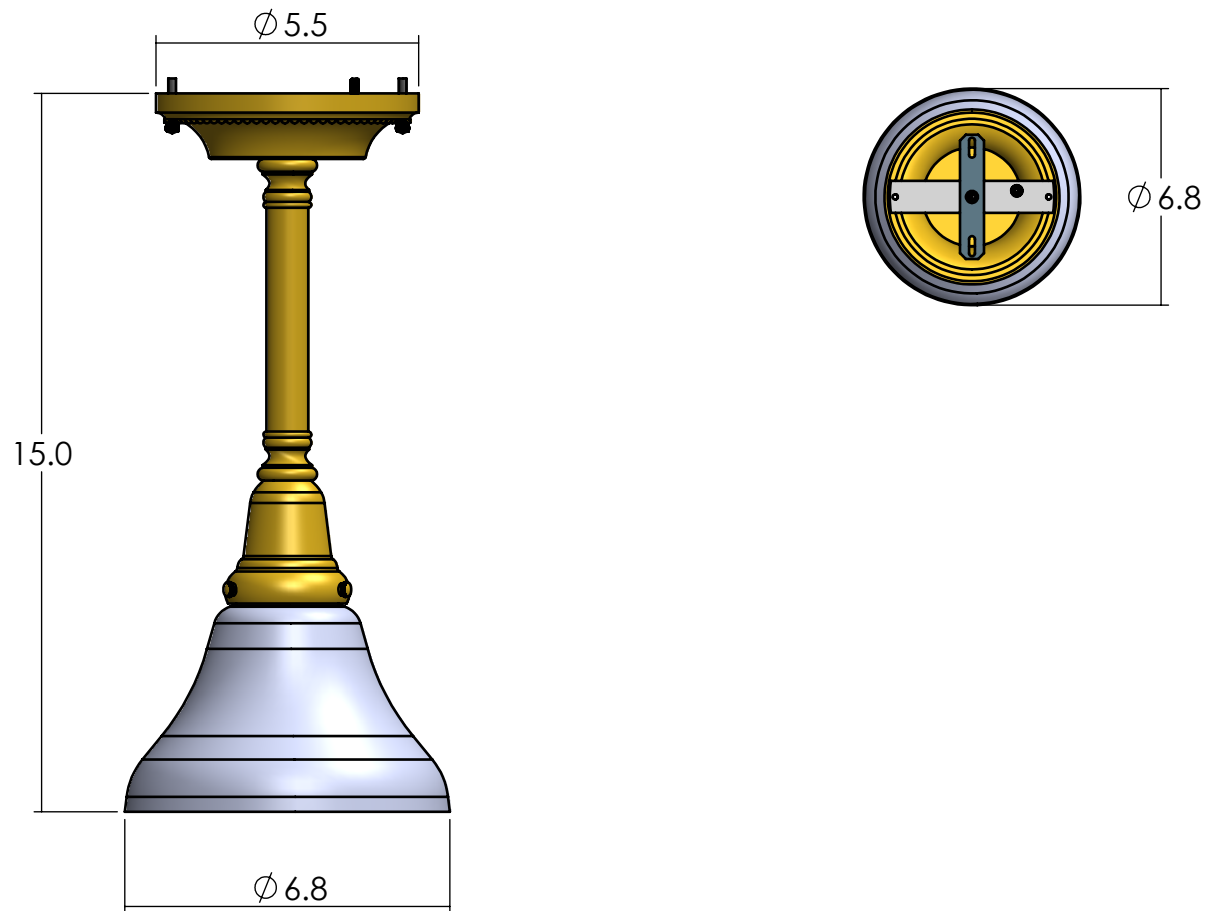
BILL OF MATERIALS

CN-415-A4-03M

PART NO.	QTY.	M/B/I	DESCRIPTION
00161	2	B	/ NECK / HOLLOW / UNTHREADED / 1.25 X 0.90 / 1/8 IPS
00243	2	B	/ CHECK RING / RND / / 0.875 / 1/8 IPS
00749-F	1	M	CAST / MOUNTING PLATE / ROUND / BEADED / 5.5 X 1.4 / 1/8 IPS, 2 SCR.
00789	3	B	HARDWARE / WASHER / BRONZE / LOCK / 0.60 / 1/8 IPS
00480	1	B	HARDWARE / WASHER / / FLAT / 0.625 / 1/8 IPS
00800	2	B	HARDWARE / NUT / KNURL KNOB-.66OD / / /
00819	2	B	HARDWARE / NUT / STD. / / / 1/8 NPS
04006 (4.75)	1	M	TUBE / ROUND - SMOOTH / HARD / .875 O.D. X .032 / 72.000 / PRIMARY-CUT TO LENGTH
30032	1	M	DOCUMENT / INSTALL INSTRUCTION / UNIVERSAL/OFFSET STRAP MOUNT / CEIL./WALL MOUNT / /
48028	1	B	HARDWARE / WASHER / / CUP / 0.45 /
48029	1	B	HARDWARE / SCREW / HEX WASHER (GND.) / / 8-32 X 0.375 /
48056	1	B	HRDWRE/COUP/SMOOTH/.785X1/8 NPS
49020 (5.375)	1	M	PIPE-NIPPLE / SCHED 40 / BLACK / 1/8 NPT / / PRIMARY-CUT TO LENGTH
49027 (2)	1	B	PIPE-NIPPLE / ALL THREAD / ZINC / 1/8 NPSM / 2.0 /
49031 (1)	2	B	HARDWARE / THREADED ROD / STAINLESS / 8-32 / 1.0 /
A0310	1	B	PART / STRAP / J-BOX / OFFSET (5) / / (4) 8-32
A154	1	B	PART STATUS NOT ACTIVE
A4	1	M	SHADE HOLDER KIT / / / BELL / 2.25 FITTER /
00480	1	B	HARDWARE / WASHER / / FLAT / 0.625 / 1/8 IPS
35003	1	B	ELECTRICAL / SOCKET / MEDIUM BASE / PORCELAIN 2 WIRE / NICKEL SCR. SHELL /
00789	1	B	HARDWARE / WASHER / BRONZE / LOCK / 0.60 / 1/8 IPS
A0192	1	B	PART / SHADE HOLDER / 2.25 RND. / / 02530 / (3) 00860 /
00006	3	B	HARDWARE / SCREW / KNURL SET / / 0.60 X 0.50 X 0.30 / 8-32 (1)
A0150	1	M	/ SOCKET / BASE / MED BASE / BASE/INS/EXTENSION ASSEM /
48024	1	B	/ SOCKET / BASE / MED./HEAVY METAL CAP / / 1/8 NPS
45028	1	B	ELECTRICAL / SOCKET / INSULATOR / MED SOCKET (PORC.) / /
00111	1	B	HARDWARE / EXTENSION / / / 0.580 X 0.580 X 0.565 / 1/8 NPS (1)
STICKER KIT	1	#N/A	#N/A
30007	1	B	DOCUMENT / LABEL-STICKER / MANUFACTURER / BRASS LIGHT GAL. (WHITE) / /
30016	1	B	STICKER RISK OF FIRE CAUTION 150W TYPE A 1"
30028	1	M	DOCUMENT / LABEL-STICKER / DATE CODE / MONTH/YEAR / /
30052	1	B	DOCUMENT / LABEL-STICKER / LISTING MARK / C-UL LUMINAIRES / /
30058	1	B	DOCUMENT / LABEL-STICKER / LISTING LOCATION MARK / INCANDESCENT DRY LOCATIONS ONLY / /
30164	1	B	DOCUMENT / LABEL-STICKER / MADE IN USA US + FOREIGN COMP / SILVER / /



## CN-415-A4-03M



Family: Carlton

Fixture: Solid Stem Pendant Light

Max per Socket: 150 Watts

Sockets: 1-Medium Base screw in

Overall Length: 15 inches

Durably constructed of solid brass in your choice of metal finish.

Made in USA by Brass Light Gallery.

UL listed dry location.

Accepts incandescent, CFL, or LED light bulb types.