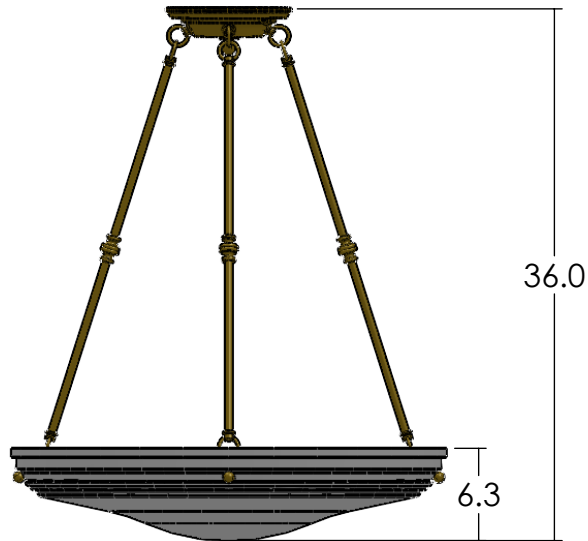
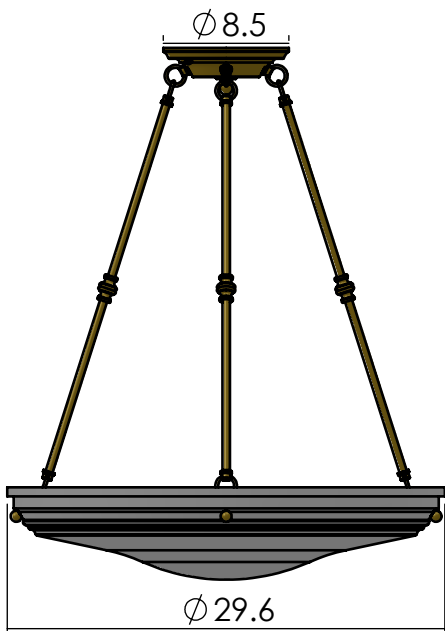
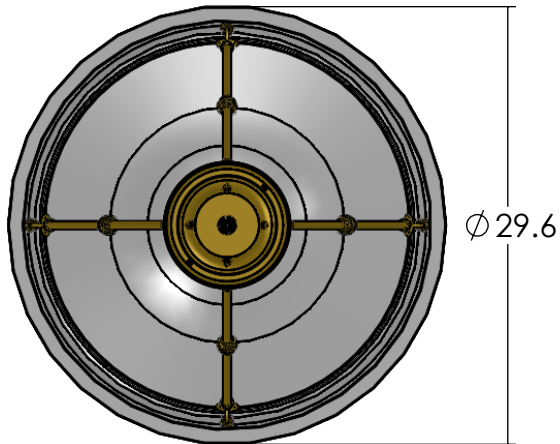




# AL-1330-AA-Y



Family: Hampton Alabaster

Fixture: Pendant Light

Mount: Ceiling

Max per Socket: 100 Watts

Sockets: 4-Medium Base screw in

Bowl Width: 30 inch

Durably constructed of solid brass and real alabaster stone.

Made in USA by Brass Light Gallery.

UL listed dry location.

Accepts incandescent, CFL, or LED light bulb types.