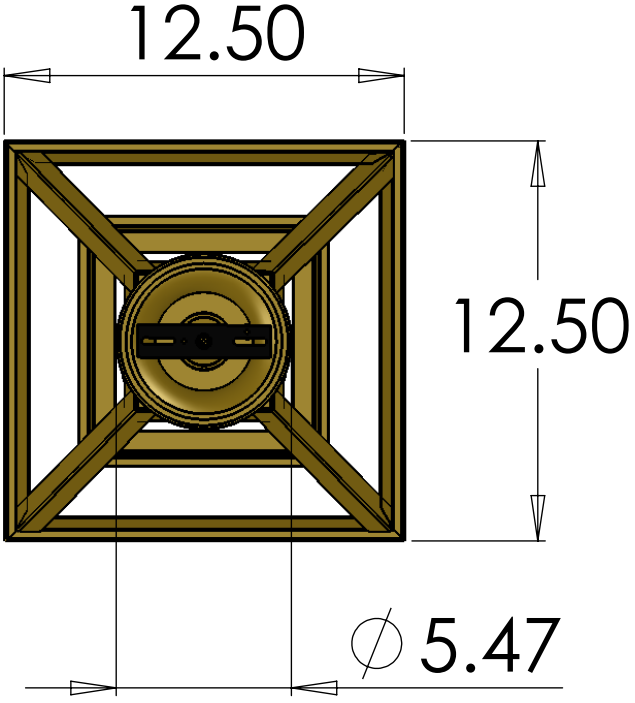
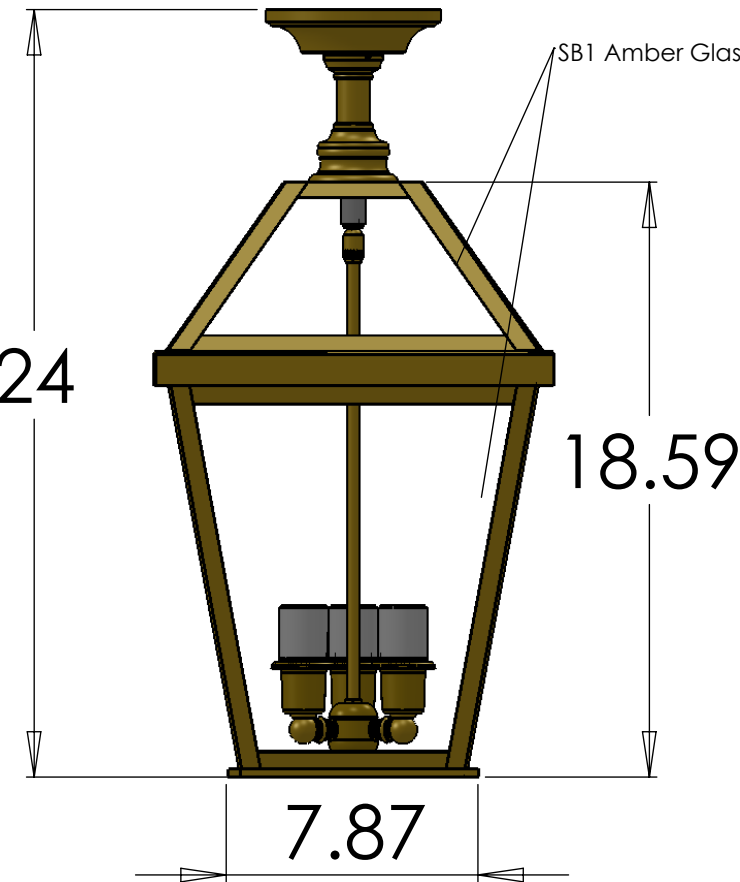


EX-5712-A19

Front View

Top View



Finish: Architectural Bronze

Glass: Custom SB1 Amber

Lamping: 120 V

3 Light Medium Base Socket Cluster

UL Listed For Wet Location

Quote/Order ID #: 14246 Date: 1/5/16 Version: 02  
Cust. Info.: The Morse Group / Epic Great Hall B5 Exterior  
Drafted By: Adam P.

Dimensions in inches

[www.brasslight.com](http://www.brasslight.com)

[sales@brasslight.com](mailto:sales@brasslight.com)

(800) 243-9595

*Designed & Manufactured in Milwaukee Since 1974*