

## GLENDALE™ FAMILY

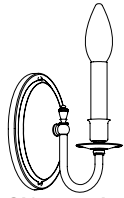
The Glendale™ Family of sconces is traditional lighting suitable for a variety of architectural styles. Featuring an oval backplate and fine curved arm, these electric candle and glass shade sconces are an excellent choice for lighting interiors of smaller or moderate size.



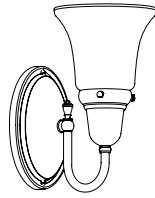
**NEW  
CLASSICS™**  
Handmade in USA

# GLENDALE™ FAMILY

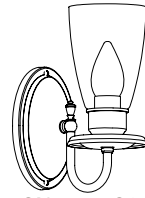
## INTERIOR LIGHTING FIXTURES



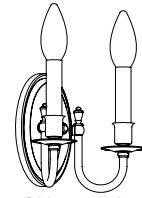
CN-110-A1



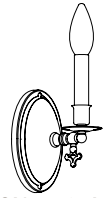
CN-110-A4



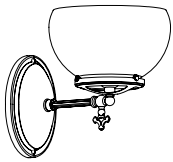
CN-110-C3



CN-111-A1



CN-113-A1



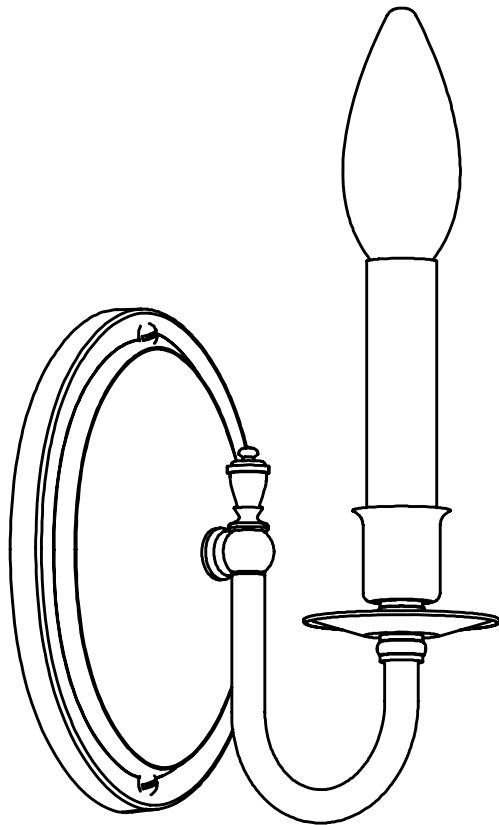
CN-114-C4

# GLENDALE™ ONE LIGHT CURVED ARM SCONCE

WITH ELECTRIC CANDLE

brasslightgallery.com 800-243-9595 sales@brasslight.com

Glendale Family v1.0 page 3



**NEW  
CLASSICS™**  
Handmade in USA

## FINISHES - applied by hand.

Polished Nickel	Architectural Bronze
Brushed Nickel	Verdigris Patina
Black	Distressed Brass
Brushed Brass	Antique Copper
Polished Brass	Satin Antique Brass
Antique Nickel	Unlacquered Pol. Brass

Other finishes available for additional charge, inquire.

## CN-110-A1 Shown without shade(s)

Candelabra base screw-in socket (1) accepts 60 W max incandescent, compact fluorescent, or LED.

GU24 base bi-pin socket available. 277V 4 pin socket alternative, inquire.

Check online for for alternative clip-on shades rated at 40 to 60 watts with this fixture.

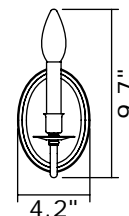
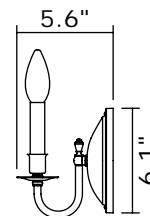
Mounting plate center mounts to junction box.

Mount candle up.

UL listed dry location.

Durably constructed of solid brass.

Made in USA by Brass Light Gallery.

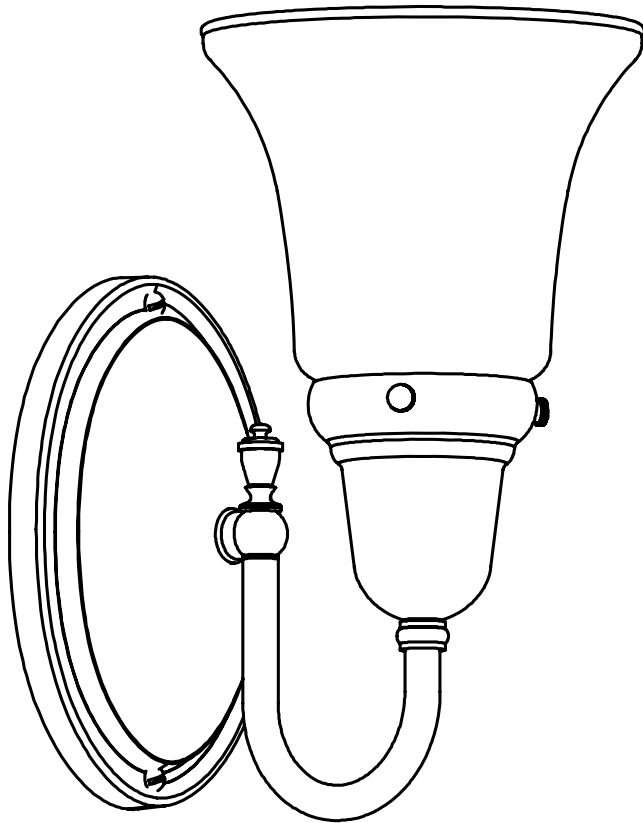


# GLENDALE™ ONE LIGHT CURVED ARM SCONCE

WITH 2-1/4" SHADE HOLDER

brasslightgallery.com 800-243-9595 sales@brasslight.com

Glendale Family v1.0 page 4



**NEW  
CLASSICS™**  
Handmade in USA

## FINISHES - applied by hand.

Polished Nickel	Architectural Bronze
Brushed Nickel	Verdigris Patina
Black	Distressed Brass
Brushed Brass	Antique Copper
Polished Brass	Satin Antique Brass
Antique Nickel	Unlacquered Pol. Brass

Other finishes available for additional charge, inquire.

## CN-110-A4 Shown with A151 shade(s)

Medium base screw-in socket (1) accepts 150 W max incandescent, compact fluorescent, or LED.

GU24 base bi-pin socket available. 277V 4 pin socket alternative, inquire.

Check our website for alternative 2-1/4" shades.

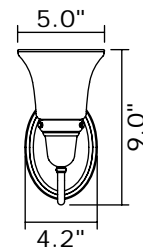
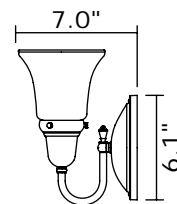
Mounting plate center mounts to junction box.

Mount glass up or glass down.

UL listed dry location. Damp location available, inquire.

Durably constructed of solid brass.

Made in USA by Brass Light Gallery.



**BRASS LIGHT GALLERY**  
• MILWAUKEE •

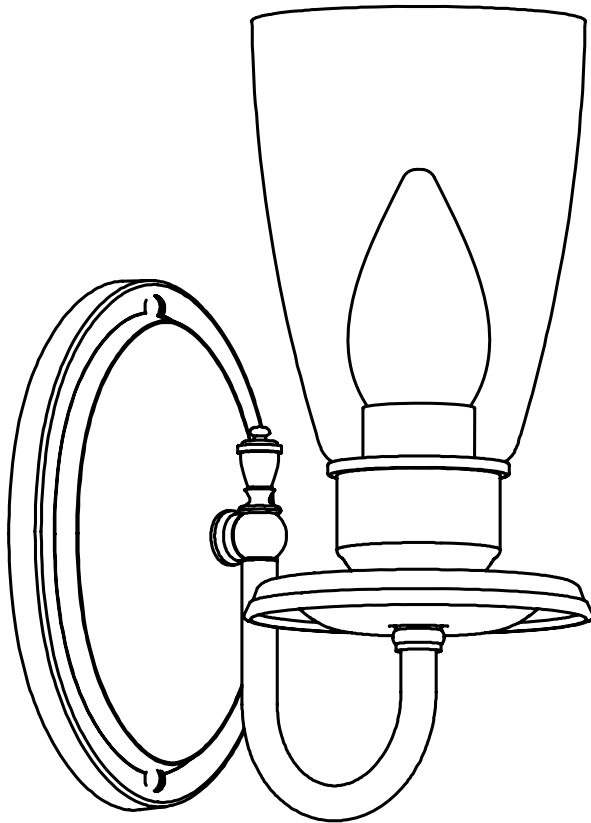
© 2013, Brass Light Gallery®

# GLENDALE™ ONE LIGHT CURVED ARM SCONCE

WITH HURRICANE SHADE HOLDER

brasslightgallery.com 800-243-9595 sales@brasslight.com

Glendale Family v1.0 page 5



**NEW  
CLASSICS™**  
Handmade in USA

## FINISHES - applied by hand.

Polished Nickel	Architectural Bronze
Brushed Nickel	Verdigris Patina
Black	Distressed Brass
Brushed Brass	Antique Copper
Polished Brass	Satin Antique Brass
Antique Nickel	Unlacquered Pol. Brass

Other finishes available for additional charge, inquire.

## CN-110-C3 Shown with K109 shade(s)

Medium base screw-in socket (1) accepts 60 W max incandescent, compact fluorescent, or LED.

GU24 base bi-pin socket available. 277V 4 pin socket alternative, inquire.

Check our website for alternative shades.

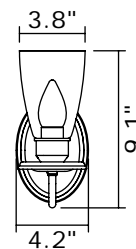
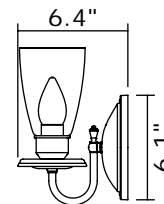
Mounting plate center mounts to junction box.

Mount up only.

UL listed dry location.

Durably constructed of solid brass.

Made in USA by Brass Light Gallery.



**BRASS LIGHT GALLERY**  
• MILWAUKEE •

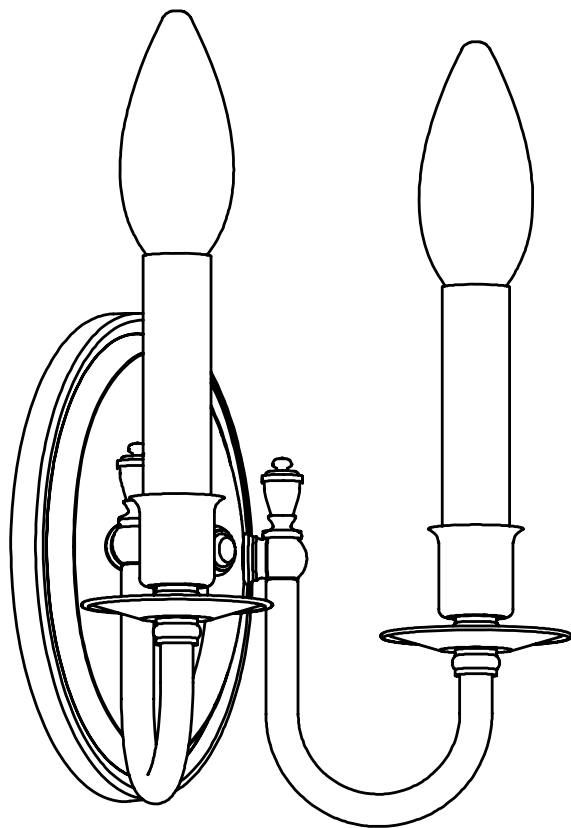
© 2013, Brass Light Gallery®

# GLENDALE™ TWO LIGHT CURVED ARM SCONCE

WITH ELECTRIC CANDLES

brasslightgallery.com 800-243-9595 sales@brasslight.com

Glendale Family v1.0 page 6



**NEW  
CLASSICS™**  
Handmade in USA

## FINISHES - applied by hand.

Polished Nickel	Architectural Bronze
Brushed Nickel	Verdigris Patina
Black	Distressed Brass
Brushed Brass	Antique Copper
Polished Brass	Satin Antique Brass
Antique Nickel	Unlacquered Pol. Brass

Other finishes available for additional charge, inquire.

## CN-111-A1 Shown without shade(s)

Candelabra base screw-in sockets (2) each accept 60 W max incandescent, compact fluorescent, or LED.

GU24 base bi-pin socket available. 277V 4 pin socket alternative, inquire.

Check online for for alternative clip-on shades rated at 40 to 60 watts with this fixture.

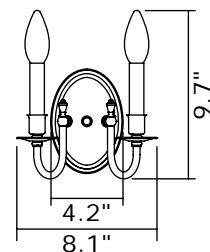
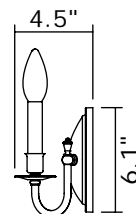
Mounting plate center mounts to junction box.

Mount candle up.

UL listed dry location.

Durably constructed of solid brass.

Made in USA by Brass Light Gallery.



**BRASS LIGHT GALLERY**  
• MILWAUKEE •

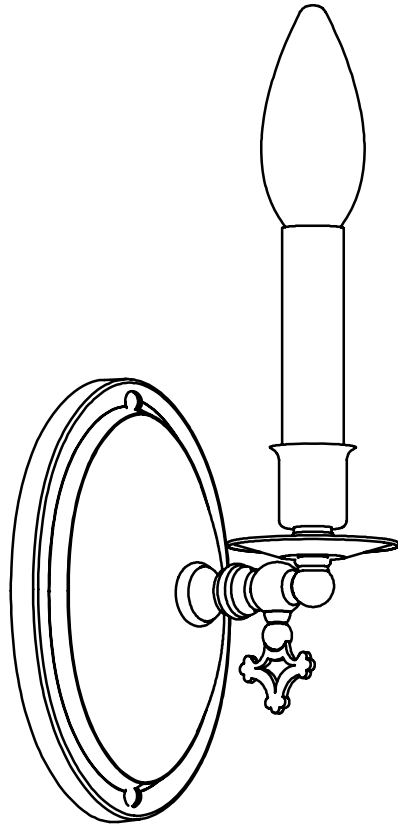
© 2013, Brass Light Gallery®

# GLENDALE™ ONE LIGHT GAS KEY SCONCE

WITH ELECTRIC CANDLE

brasslightgallery.com 800-243-9595 sales@brasslight.com

Glendale Family v1.0 page 7



**NEW  
CLASSICS™**  
Handmade in USA

## FINISHES - applied by hand.

Polished Nickel	Architectural Bronze
Brushed Nickel	Verdigris Patina
Black	Distressed Brass
Brushed Brass	Antique Copper
Polished Brass	Satin Antique Brass
Antique Nickel	Unlacquered Pol. Brass

Other finishes available for additional charge, inquire.

## CN-113-A1 Shown without shade(s)

Candelabra base screw-in socket (1) accepts 60 W max incandescent, compact fluorescent, or LED.

GU24 base bi-pin socket available. 277V 4 pin socket alternative, inquire.

Check online for for alternative clip-on shades rated at 40 to 60 watts with this fixture.

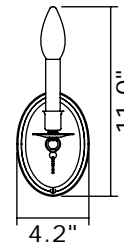
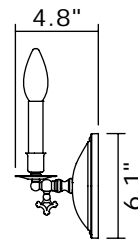
Mounting plate center mounts to junction box.

Mount candle up.

UL listed dry location.

Durably constructed of solid brass.

Made in USA by Brass Light Gallery.



**BRASS LIGHT GALLERY**  
• MILWAUKEE •

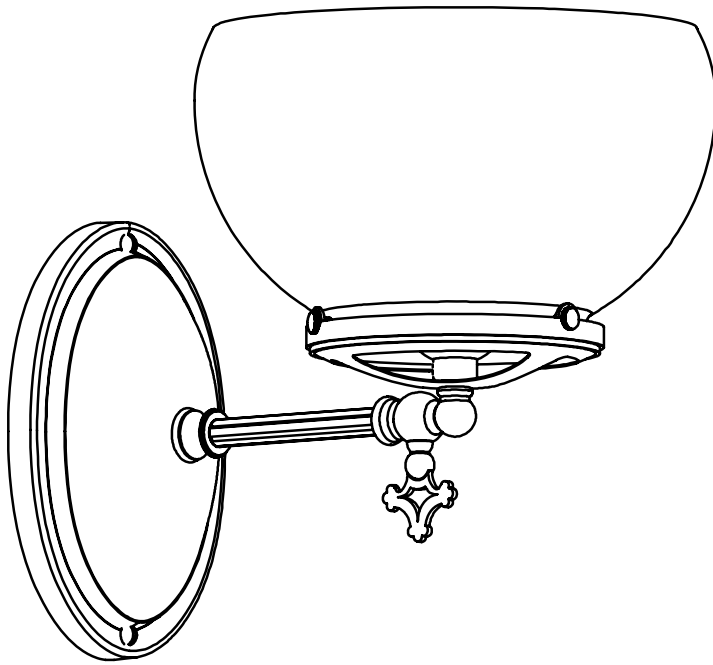
© 2013, Brass Light Gallery®

# GLENDALE™ ONE LIGHT GAS KEY SCONCE

WITH 4-1/4" SHADE HOLDER

brasslightgallery.com 800-243-9595 sales@brasslight.com

Glendale Family v1.0 page 8



**NEW  
CLASSICS™**  
Handmade in USA

## FINISHES - applied by hand.

Polished Nickel	Architectural Bronze
Brushed Nickel	Verdigris Patina
Black	Distressed Brass
Brushed Brass	Antique Copper
Polished Brass	Satin Antique Brass
Antique Nickel	Unlacquered Pol. Brass
Vintage Nickel	Architectural Iron

## CN-114-C4 Shown with C158 shade(s)

Medium base screw-in socket (1) accepts 60 W max incandescent, compact fluorescent, or LED.

GU24 base bi-pin socket available. 277V 4 pin socket alternative, inquire.

Check our website for alternative 4-1/4" shades.

Mounting plate center mounts to junction box.

Mount up only.

Durably constructed of solid brass.

Made in USA by Brass Light Gallery.

